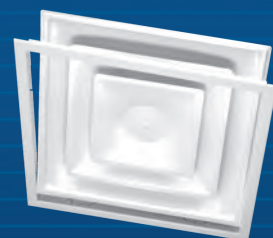
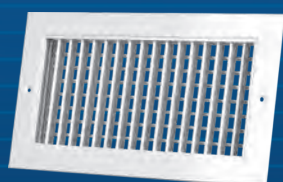




AIRVECTOR®

Quality Air Distribution Products



Technical Catalog



Updates available online at www.airvector-hvac.com

Pricing and delivery service information

Shipping plan	Premium
 <p>0 Day Ship <i>Guaranteed ships on SAME day</i></p>	<p>Net price + 10% Orders up to 500\$. Only DF3, DF4, ISO & All GSA / GAA white or mill, even sizes up to 36" x 18". No odd or fractional sizes. Cut-off time: 11a.m.</p>
 <p>2 Day Ship <i>Guaranteed ships 2 days later</i></p>	<p>Net price + 10% Orders up to 2,500\$. Only DF3, DF4, ISO & All GSA / GAA white or mill, even sizes up to 36" x 18". No odd or fractional sizes.</p>
 <p>5 Day Ship <i>Guaranteed ships 5 days later</i></p>	<p>Net price + 10% Same products as 2-day ship, for orders more than 2,500\$. & All orders of other standard products not included in 2-day ship premium services.</p>
 <p>>> Standard <i>2-3 weeks</i></p>	<p>Net price No premium Full line of products, standard or not.</p>

*Shipping plans are based on working days
Allow for additional freight time to lead times above*



Should Airvector® miss a Same-Day, a 2-DAY or a 5-DAY SHIP due to our error, **we will completely reimburse your order.**

To avoid delays, please include all required information on purchase orders.

Special requirements? Let us know

Special labeling, bar coding, tagging orders, special designs, faster delivery...

Minimum invoice (before shipping cost)	FOB
\$40	Our plant

Important Information

- Shipping plans are available only for standard products. Please check with Order Desk for availability of a product for quick ship.
- Shipping plan premium will be automatically applied based on requested shipping date.
- Orders received after 2 p.m. (Eastern time) will be considered as following working day. For same-day orders, cut-off time is 11 a.m.
- Airvector® will determine how to ship if not specified by client.
- Contact factory for estimated shipping cost.
- Confirm orders in writing. Buyer assumes full responsibility for any errors on verbal orders.
- Extra crating, if needed, will be additional. Customer's approval required.
- Returned goods must be pre-approved. Standard restocking charge of 25% (exclusive of return freight costs) on resalable goods only. Judgment whether goods are resalable or not are at the discretion of Alfa Mega Inc. or Airvector Inc.
- We will accept Freight Damage claims in the thirty (30) days following shipping. Any claims submitted after this date will be disregarded. To submit a claim, please attach the shipper's signed copy of the Bill of Lading pertaining to the invoice.
- Default finish is White for most products. Other colors available upon request, please contact factory and see finish chart.
- Products that show manufacturing defects will be replaced or refurbished free of charge.

Cancellation rules

Changes or Returns	Non Resaleable Items		Resaleable Items <small>(check with factory)</small>	
	Non Premium	Premium	Non Premium	Premium
0 to 24 hours	No Fee	No Fee	No Fee	No Fee
1 to 3 Days	25% fee	100% fee	25% fee	25% fee
3 Days or more	100% fee	100% fee	25% fee	25% fee

Important note

When an item is changed after 24 hours, the original item will be shipped unless requested to be scrapped by customer. Scrapping will be done as a "no charge" service.

General procedure

Upon order modification:

Generally between 0-24 hours, production is not yet started, so the order quantities can be canceled and modified at will. However, when a new item is ordered it is automatically a new PO using the same number as the original adding -1 as a suffix (please note that the min. order surcharge applies).

Procedure when an order falls under the 25% fee rule

Upon receiving the instruction to modify or cancel:

- When an item is canceled, we type "CANCELED" in the beginning of the description. Price is modified to 25% of the original value.
- When an item is modified, the current item is canceled (see previous for canceled items) and a new item is ordered in a new PO-1.
- When an item quantity is reduced, we need to split the item on 2 lines of the PO. The first line with the final quantity, the second with the canceled quantity (see previous for canceled items).

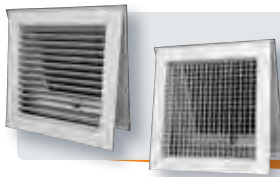


Our new products!

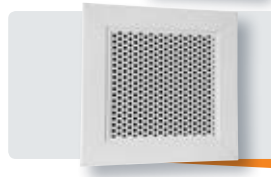
New Grilles



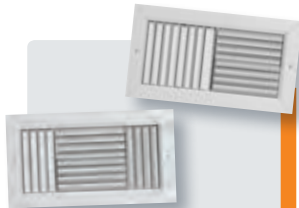
GADA, GADS,
GADC
Door Grilles



FGSA/FERE
Filter
Grilles



PRE
Perforated
Grille



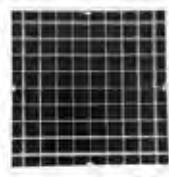
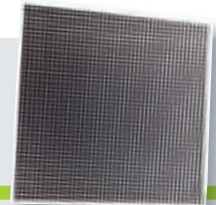
GCB1, GCB2,
GCB3, GCB4
3 & 4 Way Curved
Blade Grilles



ERE1: 1/2" x 1/2" x 1"
ERE3: 1"x1"x1"
ERE5: 45° angled
Eggcrate Grilles

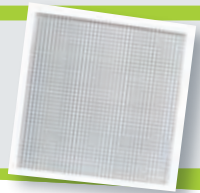
New Return Products

ERT1,
ERU1, ERN1
1/2" x 1/2" x 1"

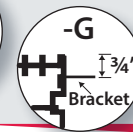
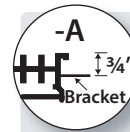


ERT3,
ERU3, ERN3
1"x1"x1"

ERT5,
ERU5, ERN5
45° angled



New Linear Options



Mounting Brackets
for Sheetrock -SB

New Diffusers & Options

New Diffusers



ISA
Adjustable Plaque
Diffusers

NEG (round),
NES (square)
Equalizing
Grids for DF3/DF4



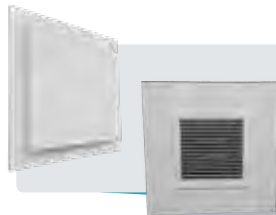
DRV
Supply & Exhaust
Valve Diffusers

New Options



• Plaque Option PQ

• Hi induction for
Swirl Effect



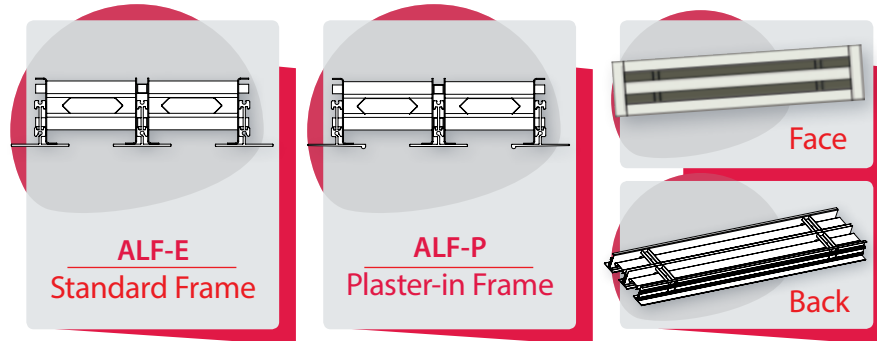
Panel Options
Available for:
DF3, DF4, GSA,
DLA, PRE, GCR

Our R&D
department
has been on
a rampage
this year!

Try these new
products on
quotes or call
us for prices!

Our new products

|Linear Flow Bar



Next in the pipeline

|New Aluminum Products



|Aluminum Spiral Duct Grilles





AIRVECTOR®
HVAC Manufacturer
Manufacturier CVAC



Catalog & Price List

NEW PRODUCTS

*Updates availables online
at www.airvector-hvac.com*

Table of Contents

Ceiling Diffusers	7
New Options for Diffusers	8
NEG and NES Equalizing Grids	9
Mini Valve Diffuser – DRV Series	10
Aluminum Square Diffusers – ADF3, ADF4 and AISO Series	11
Aluminum Plaque Diffusers – AISO Series	12
Swirl Diffusers – DSW and DSWI Series	14
Adjustable Plaque Diffusers – ISA and ISAI Series	15
Adjustable Round Neck, Plaque Diffusers – ISAM Series	16
Ceiling Returns	19
New Options for Ceiling Returns	20
Aluminum Egg Crate Core – ERN Series	21
Aluminum Egg Crate Lay-In Returns – ERT/ERU Series	22
Aluminum Face, 45° Egg Crate – ERM, ERI and ERT Series	25
Grilles and registers	27
New Options for Grilles and Registers	28
Filter Grilles – FGSA/FGAA Series	29
Aluminum Egg Crate Face Filter Grilles – FERE/FERE5 Series	30
Spiral Duct Grilles – GDA Series	32
Aluminum Door Grilles – GADS, GADA and GADC Series	34
Perforated Face Grilles – PRE Series	36
Egg Crate Face Grilles – ERE Series	38
Aluminum Curved Blade Grilles & Registers – GCB Series	42
Architectural linears	47
New options for Architectural Linears	48
Linear Bar Grilles & Registers – ALB Series	49

Pricing and delivery service information

Shipping plan	Premium
 <p>0 Day Ship <i>Guaranteed ships on SAME day</i></p>	<p>Net price + 10% Orders up to 500\$. Only DF3, DF4, ISO & All GSA / GAA white or mill, even sizes up to 36" x 18". No odd or fractional sizes. Cut-off time: 11 a.m.</p>
 <p>2 Day Ship <i>Guaranteed ships 2 days later</i></p>	<p>Net price + 10% Orders up to 2,500\$. Only DF3, DF4, ISO & All GSA / GAA white or mill, even sizes up to 36" x 18". No odd or fractional sizes.</p>
 <p>5 Day Ship <i>Guaranteed ships 5 days later</i></p>	<p>Net price + 10% Same products as 2-day ship, for orders more than 2,500\$. & All orders of other standard products not included in 2-day ship premium services.</p>
 <p>Standard <i>2-3 weeks</i></p>	<p>Net price No premium Full line of products, standard or not.</p>

*Shipping plans are based on working days
Allow for additional freight time to lead times above*



Should Airvector® miss a Same-Day, a 2-DAY or a 5-DAY SHIP due to our error, **we will completely reimburse your order.**

To avoid delays, please include all required information on purchase orders.

Special requirements? Let us know

Special labeling, bar coding, tagging orders, special designs, faster delivery...

Minimum invoice (before shipping cost)	FOB
\$40	Our plant

Important Information

- Shipping plans are available only for standard products. Please check with Order Desk for availability of a product for quick ship.
- Shipping plan premium will be automatically applied based on requested shipping date.
- Orders received after 2 p.m. (Eastern time) will be considered as following working day. For same-day orders, cut-off time is 11 a.m.
- Airvector® will determine how to ship if not specified by client.
- Contact factory for estimated shipping cost.
- Confirm orders in writing. Buyer assumes full responsibility for any errors on verbal orders.
- Extra crating, if needed, will be additional. Customer's approval required.
- Returned goods must be pre-approved. Standard restocking charge of 25% (exclusive of return freight costs) on resalable goods only. Judgment whether goods are resalable or not are at the discretion of Alfa Mega Inc. or Airvector Inc.
- We will accept Freight Damage claims in the thirty (30) days following shipping. Any claims submitted after this date will be disregarded. To submit a claim, please attach the shipper's signed copy of the Bill of Lading pertaining to the invoice.
- Default finish is White for most products. Other colors available upon request, please contact factory and see finish chart.
- Products that show manufacturing defects will be replaced or refurbished free of charge.



Ceiling Diffusers

Catalog & Price List

NEW PRODUCTS

I New Options for Diffusers

Option -X Panel Diffusers (aka. steel face extension)

For Models DLA, DLA9, DLAM, DLAM4, DLAM5, DF3, DF4, ISO, DA3, DA4

Option	Face Extension	Price List
-X1224	12" x 24"	36
-X2412	24" x 12"	36
-X2424	24" x 24"	36
-X2448	24" x 48"	72
-X4824	48" x 24"	72
-X2020	20" x 20"	36



Option -Y Panel Diffusers (aka. aluminum face extension)

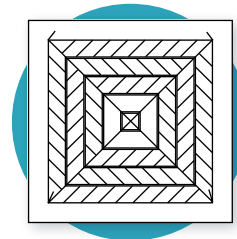
For Models DLA, DLA9, DLAM, DLAM4, DLAM5, DF3, DF4, ISO, DA3, DA4, ISA, ISAI

Option	Face Extension	Price List
-Y1224	12" x 24"	55
-Y2412	24" x 12"	55
-Y2424	24" x 24"	55
-Y2448	24" x 48"	92
-Y4824	48" x 24"	92
-Y2020	20" x 20"	55

Option -HI Induction for DLA

- Aluminum vanes crimped on the back of the diffuser's face.
- Placed in centrifugal directions to promote induction.
- Applicable to all square DLA products

Refer to page 13 of August catalog or page 15 of 2015 catalog.



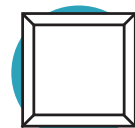
-HI Option now available for DLA, DLA9, DLAM, DLAM4, DLAM5 and DLAI, as described in catalogs.

Option -PQ1, -PQ2, and -PQ3 for DLA, DLA9, DLAM4, DLAM5, DLAM and DLAI

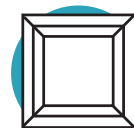
- Steel plaque options
- Only available for 4 way 18"x18"

Option	Visible Air Slots	Price Adder
-PQ1	1	6
-PQ2	2	5
-PQ3	3	4

To order this option, add -PQ1, -PQ2 or -PQ3 to DLA, DLAM, DLAI.



-PQ1
1 louver



-PQ2
2 louvers



-PQ3
3 louvers

Option -A1, -AC, -AO, -A3 and -A4 Adjustable Baffles
for DLA, DLA9, DLAM, DLAM4, DLAM5, DLAI

Now Available!

Option	Description	List Adder (\$/unit)
-A1	1 Baffle	5
-AO	2 Corner Baffles	10
-AC	2 Opposed Baffles	10
-A3	3 Baffles	15
-A4	4 Baffles	20

To order this option, add -A1, -AO, -AC, -A3 or -A4 to DLA, DLA9, DLAM, DLAM4, DLAM5 and DLAI.

NEG and NES Equalizing Grids

New Accessories!

- Powder-coated heavy gauge steel.
- Ensure even distribution of air throughout attached unit.

NEG Round Equalizing Grid

Model	Price List
06	16
08	18
10	20
12	24
14	30

To order this as an option specify -EG to all round neck diffusers.
For example: DLAM, DLAM4, DLAM5, DF3, DF4, ADF3, ADF4, ISO, DA3, DA4, AISO.



Prices may vary. Contact us for more information.

NES Square Equalizing Grid

Model	Price List
0606	10
0909	12
1212	15
1515	20
1818	24

To order this as an option specify -ES to all square neck diffusers.
For example: DLA, DLA9, DLAI, ISA, ISA9, ISAI.

Prices may vary. Contact us for more information.

NEG and NES Accessories Options

Option	Description	Applies To	List Adder (\$/unit)
/W	Powder Coated White (default)	All	-
/BK	Powder Coated Black	All	4
/M	Mill Finish	All	-

How to order NEG and NES Accessories

NEG 06

Accessory

Equalizing Grid **NEG**

Neck dimensions

06	6"
08	8"
10	10"
12	12"
14	14"

NES 0606

Accessory

Equalizing Grid **NES**

Neck dimensions

0606	6" x 6"
0808	8" x 8"
1212	12" x 12"
1515	15" x 15"
1818	18" x 18"

Mini Valve Diffuser – DRV Series

New Products!

- Powder coated heavy gauge steel.
- Galvanized steel mounting.
- 360° diffusion, vertically adjustable.
- Surface or open ceiling.
- Perfect for bathroom exhaust or supply application.



DRV Adjustable Plaque Valve Diffusers

Model	Price list
04	15
05	18
06	20
08	26

DRV Series Options

Option	Description	Applies To	List Adder (\$/unit)
/W	Powder Coated White (default)	All	-
Other Finishes	See Finish Chart (add setup charge if custom)	All	4

How to order DRV Series

DRV 04

Model series

Mini Valve Diffuser **DRV**

Neck dimensions

04	4"
05	5"
06	6"
08	8"

Aluminum Square Diffusers – ADF3, ADF4 and AISO Series

New
Models!

- All models have removable core.
- Locks are very easy to manipulate.
- Integrated earthquake tabs.



ADF3 Three Cone Aluminum Square Diffusers

Model #	Description	Face Size	Neck Size	Ctn Qty	Skid Qty	List \$/unit
ADF3	Stamped Aluminum, Fixed Pattern	24"x24"	6"-8"-10"-12"-14"D	2	72	82
ADF3D	Stamped Aluminum, Fixed Pattern (default 2" collar)	24"x24"	6"-8"-10"-12"D	1	60	85
ADF3I	Stamped Aluminum, Fixed Pattern Pre-scored, R6 Insulated Back	24"x24"	Any Size Up To 12"D	2	72	98

ADF4 Four Cone Aluminum Square Diffusers

Model #	Description	Face Size	Neck Size	Ctn Qty	Skid Qty	List \$/unit
ADF4	Stamped Aluminum, Fixed Pattern	24"x24"	6"-8"-10"-12"-14"D	2	72	82
ADF4D	Stamped Aluminum, Fixed Pattern (default 2" collar)	24"x24"	6"-8"-10"-12"D	1	60	85
ADF4I	Stamped Aluminum, Fixed Pattern Pre-scored, R6 Insulated Back	24"x24"	Any Size Up To 12"D	2	72	98

ADF3 and ADF4 Series Options

Option	Description	Applies To	List Adder (\$/unit)
-R4	R4.2 Taped Insulation	All	10
-R6	R6 Taped Insulation	All	15
-W1	1 Way (3 baffles)	All	21
-WC	2 Way Corner (2 adjacent baffles)	All	14
-WO	2 Way Opposed (2 non-adjacent baffles)	All	14
-W3	3 Way (1 baffle)	All	7
/W	Powder Coated White (default)	All	-
Other Finishes	See Finish Chart (add setup charge if custom)	All	18

How to order ADF3 and ADF4 Series

ADF3-R4-W3 2408 /W

Model series

- 3 Cone Alum Fixed **ADF3**
- 3 Cone Alum Fixed, 2" Neck **ADF3D**
- 4 Cone Alum Fixed **ADF4**
- 4 Cone Alum Fixed, 2" Neck **ADF4D**

Insulation (optional)

Default is uninsulated

- R4.2 Taped Insulation **-R4**
- R6 Taped Insulation **-R6**

Direction (optional)

Default is 4 way

- 1 Way **-W1**
- 2 Way **-WC**
- 2 Way **-WO**
- 3 Way **-W3**

Finish

(/W) *Default is White see chart for more*

Neck diameter

In Inches

- 06** 6"
- 08** 8"
- 10** 10"
- 12** 12"
- 14** 14"

Face dimensions

24 24" x 24"

How to order ADF3I & ADF4I

ADF3I /W

Model series

- 3 Alum Cone Insulated **ADF3I**
- 4 Alum Cone Insulated **ADF4I**

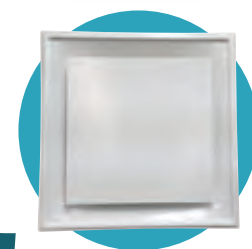
Finish

Default is White (/W) see chart for more

Aluminum Plaque Diffusers – AISO Series

New Products!

- New improved design offering a clean look in the ceiling
- Ideal for heating & air conditioning
- All models have removable core
- Locks are very easy to manipulate
- Integrated Earthquake Tabs



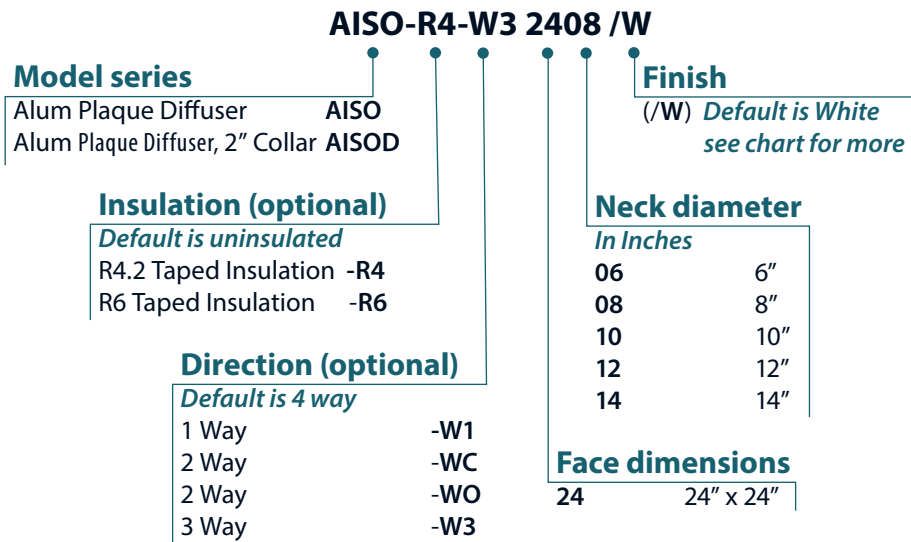
AISO Aluminum Plaque Diffusers

Model #	Description	Face Size	Neck Size	Ctn Qty	Skid Qty	List \$/unit
AISO	Standard Aluminum Plaque Diffuser	24"x24"	6"-8"-10"-12"-14"D	2	72	96
AISOD	Stamped Aluminum, 2" high collar	24"x24"	6"-8"-10"-12"D	1	60	99
AISOI	Stamped Aluminum, Pre-scored, R6 Insulated Back	24"x24"	Any Size Up To 12"D	2	72	111

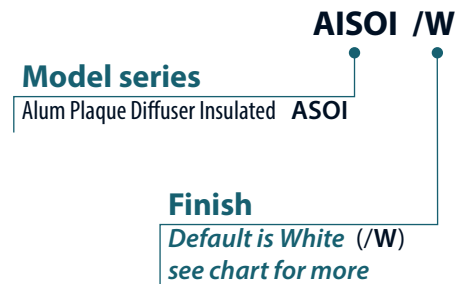
AISO Series Options

Option	Description	Applies To	List Adder (\$/unit)
-R4	R4.2 Taped Insulation	All	10
-R6	R6 Taped Insulation	All	15
-W1	1 Way (3 baffles)	All	21
-WC	2 Way Corner (2 adjacent baffles)	All	14
-WO	2 Way Opposed (2 non-adjacent baffles)	All	14
-W3	3 Way (1 baffle)	All	7
/W	Powder Coated White (default)	All	-
Other Finishes	See Finish Chart (add setup charge if custom)	All	18

How to order AISO Series



How to order AISOI Series



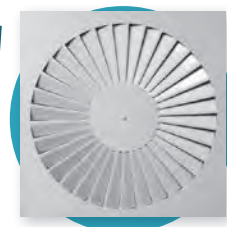
**New
Products!**

Swirl Diffusers – DSW and DSWI Series

- Swirl pattern for high induction
- Easy access to damper through face
- Heavy gauge stamped steel

DSW Swirl Diffusers

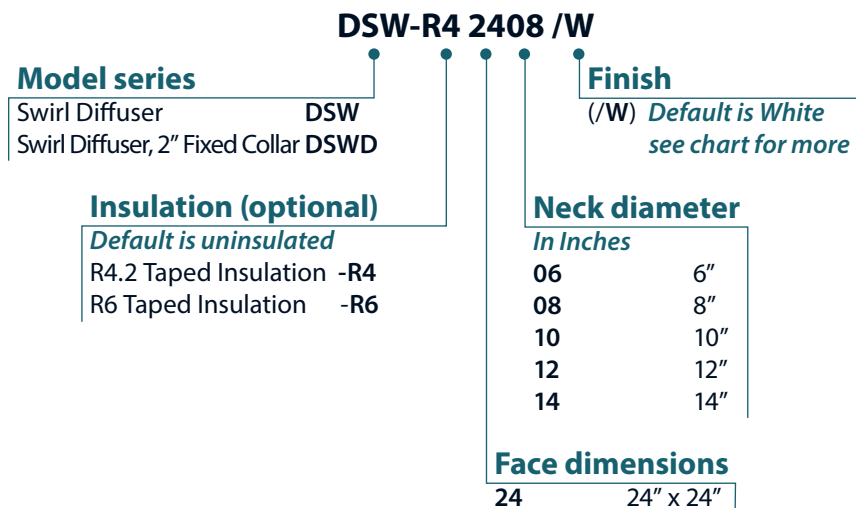
Model #	Description	Face Size	Neck Size	Ctn Qty	Skid Qty	List \$/unit
DSW	Metal Back, Round Neck	24"x24"	6"-8"-10"-12"-14"D	1	72	105
DSWD	Swirl Diffuser with 2" Fixed Collar	24"x24"	6"-8"-10"-12"-14"D	1	72	110
DSWI	Pre-Scored R6 Insulated Back	24"x24"	Any Size Up To 12"D	1	72	123



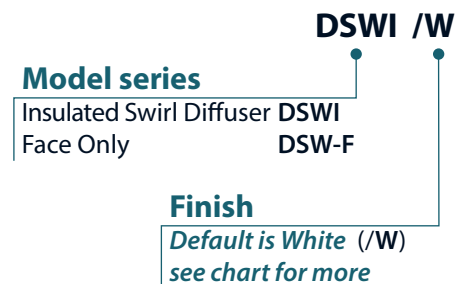
DSW Options

Option	Description	Applies To	List Adder (\$/unit)
-F	Face Only	DSW	-20%
-R4	R4.2 Taped Insulation	DSW	10
-R6	R6 Taped Insulation	DSW	15
/W	Powder Coated White (default)	All	-
Other Finishes	See Finish Chart (add setup charge if custom)	All	18

How to order DSW Series



How to order DSWI or DSW-F



New
Products!

Adjustable Plaque Diffusers – ISA and ISAI Series

- Heavy gauge aluminum
- Powder paint coating - white
- Surface or lay-in T-bar ceiling
- Available with pre-installed aluminum OBD (model# ISA9)
- Available with hingeable baffles on each of the 4 ways



ISA Adjustable Plaque Diffusers

Model #	Face Size	Neck Size	Ctn Qty	Skid Qty	List \$/unit
ISA 0606	12"x12"	6"x6"	4	576	45
ISA 0909	15"x15"	9"x9"	4	360	49
ISA 1212	18"x18"	12"x12"	2	144	53
ISA 1515	21"x21"	15"x15"	2	144	58
ISA 1818	24"x24"	18"x18"	2	144	62
ISA9 0606	12"x12"	6"x6"	2	288	54
ISA9 0909	15"x15"	9"x9"	2	180	64
ISA9 1212	18"x18"	12"x12"	1	72	74
ISA9 1515	21"x21"	15"x15"	1	72	85
ISA9 1818	24"x24"	18"x18"	1	72	103

ISAI Adjustable Plaque Diffusers

Model #	Face Size	Neck Size	Ctn Qty	Skid Qty	List \$/unit
ISAI	24"x24"	Any size up to 12D"	1	72	95

ISA and ISAI Series Options

Option	Description	Applies To	List Adder (\$/unit) ISA/ISAI	List Adder (\$/unit) ISA9
-0	No Screw Holes (Lay-in) (default)	All	-	-
-3	Screw Holes in Face	All	-	-
-4	Concealed Screw Holes in Neck	All	-	-
-A1	1 Baffle	All	5	5
-AC	2 Corner Baffles	All	10	10
-AO	2 Opposed Baffles	All	10	10
-A3	3 Baffles	All	15	15
-A4	4 Baffles	All	20	20
-ES	Square Equalizing Grid	All	25%	28%
-Y	Aluminum Panel Option (steel unavailable)	All	*	*
/W	Powder Coated White (default)	All	-	-
/M	Mill Finish	All	-	-
Other Finishes	See Finish Chart (add setup charge if custom)	All	25%	25%

Note: add up all percentage adders first, then apply to List Price.

*(See price table with all dimensions on p. 8)

How to order ISA Series

ISA-3-A1-ES-Y2424 0606 /W

Model series

Adjustable Plaque Diffusers	ISA
...with OBD	ISA9
...Insulated	ISAI

Mounting

Default is lay-In (-0), no need to specify

Lay-In (default)	-0
Screw Holes in Face	-3
Concealed	-4

Direction (optional)

1 Baffle	-A1
2 Corner Baffles	-AC
2 Opposed Baffles	-AO
3 Baffles	-A3
4 Baffles	-A4

Option

Square equalizing grid	-ES
------------------------	-----

Finish

(/W) *Default is White see chart for more*

Neck dimensions

0606	6" x 6"
0909	9" x 9"
1212	12" x 12"
1515	15" x 15"
1818	18" x 18"

Extended face panel (optional)

-Y1224	12" x 24"
-Y2412	24" x 12"
-Y2424	24" x 24"
-Y2448	24" x 48"
-Y4824	48" x 24"
-Y2020	20" x 20"

Note: Neck dimensions N/A for ISAI.

Adjustable Round Neck, Plaque Diffusers – ISAM Series

- Heavy gauge aluminum
- Powder paint coating - white
- Surface or lay-in T-bar ceiling
- Available with pre-installed steel N4 & N5 damper (ISAM4, ISAM5)
- Available with hingeable baffles on each of the 4 ways

ISAM Adjustable Plaque Diffusers

Square Neck

	6"x6"	9"x9"	12"x12"	15"x15"	18"x18"
6"	63	69	77	86	94
8"		69	77	86	94
10"			77	86	94
12"			77	86	94
14"				86	94
16"					94



ISAM4 Adjustable Plaque Diffuser - with N4 radial opposed blade damper

		Square Neck				
		6"x6"	9"x9"	12"x12"	15"x15"	18"x18"
Round Neck	6"	80	86	94	103	111
	8"		87	95	104	112
	10"			97	106	114
	12"			100	109	117
	14"				114	122

ISAM5 Adjustable Plaque Diffuser - with N5 radial sliding blade damper

		Square Neck				
		6"x6"	9"x9"	12"x12"	15"x15"	18"x18"
Round Neck	6"	75	81	89	98	106
	8"		82	90	99	107
	10"			92	101	109
	12"			95	104	112

ISAM Series Options

Option	Description	Applies To	List Adder (\$/unit) ISAM	List Adder (\$/unit) ISAM4	List Adder (\$/unit) ISAM5
-0	No Screw Holes (Lay-in) (default)	All	-	-	-
-3	Screw Holes in Face	All	-	-	-
-4	Concealed Screw Holes in Neck	All	-	-	-
-A1	1 Baffle	All	5	5	5
-AC	2 Corner Baffles	All	10	10	10
-AO	2 Opposed Baffles	All	10	10	10
-A3	3 Baffles	All	15	15	15
-A4	4 Baffles	All	20	20	20
-R4	R4.2 Taped Insulation	All	10	10	10
-R6	R6 Insulation	18"x18" (24"x24" face)	15	15	15
-EG	Round Equalizing Grid	All	25%	19%	20%
-Y	Aluminum Panel Option (steel not available)	All	*	*	*
/W	Powder Coated White (default)	All	-	-	-
/M	Mill Finish	All	-	-	-
Other Finishes	See Finish Chart (add setup charge if custom)	All	25%	25%	25%

Note: add up all percentage adders first, then apply to List Price.

*(See price table with all dimensions on p. 8)

How to order ISAM Series

ISAM-3-A1 R4 EG-Y2424 0606 06 /W

Model series

Adjustable Plaque Diffusers	ISAM
...with Damper N4	ISAM4
...with Damper N5	ISAM5

Mounting (optional)

Default is Lay-In (-0"), no need to specify

Lay-In (default)	-0
Screw Holes in Face	-3
Concealed	-4

Direction (optional)

1 Baffle	-A1
2 Corner Baffles	-AC
2 Opposed Baffles	-AO
3 Baffles	-A3
4 Baffles	-A4

Insulation (optional)

Default is uninsulated, no need to specify

R4.2 Taped Insulation	-R4
R6 Taped Insulation	-R6

Finish

(/W) *Default is White see chart for more*

Round neck diameter

In Inches

06	6"
08	8"
10	10"
12	12"
14	14"

Neck dimensions

0606	6" x 6"
0909	9" x 9"
1212	12" x 12"
1515	15" x 15"
1818	18" x 18"

Extended face panel (optional)

-Y1224	12" x 24"
-Y2412	24" x 12"
-Y2424	24" x 24"
-Y2448	24" x 48"
-Y4824	48" x 24"
-Y2020	20" x 20"

Option

-EG Round Equalizing Grid



Ceiling Returns

Catalog & Price List

NEW PRODUCTS

I New Options for Ceiling Returns

OPTION -X Panel Returns (aka. steel face extension)
For Models ERM, ERMF, ERI, ERIF, ERTF, ERT and ERU

Option	Face Extension	Price List
-X1212	12" x 12"	36
-X1224	12" x 24"	36
-X2412	24" x 12"	36
-X2424	24" x 24"	36
-X2448	24" x 48"	72
-X4824	48" x 24"	72
-X2020	20" x 20"	36

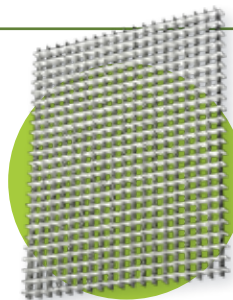
OPTION -Y Panel Returns (aka. aluminum face extension)
For Models ERM, ERMF, ERI, ERIF, ERTF, ERT and ERU

Option	Face Extension	Price List
-Y1212	12" x 12"	55
-Y1224	12" x 24"	55
-Y2412	24" x 12"	55
-Y2424	24" x 24"	55
-Y2448	24" x 48"	92
-Y4824	48" x 24"	92
-Y2020	20" x 20"	55

New Models!

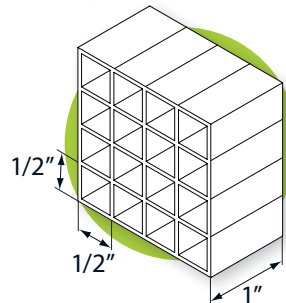
Aluminum Egg Crate Core – ERN Series

- Quality gauge and paint
- Standard dimensions in stock
- Any dimension up to 48"x24" available (use larger listed dimension for pricing)
- Default finish is white
- Mill finish (ERN /M): take off 10%



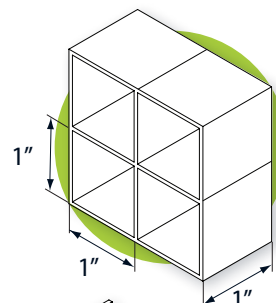
ERN1 Aluminum Egg Crate 1/2" X 1/2" X 1"

		Width (inches)		
		12	24	48
Height (inches)	6	6	13	25
	8	8	17	33
	12	13	25	49
	24	25	51	96



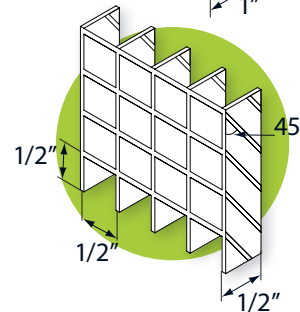
ERN3 Aluminum Egg Crate 1" X 1" X 1"

		Width (inches)		
		12	24	48
Height (inches)	6	5	10	19
	8	6	13	26
	12	10	19	38
	24	19	38	73



ERN5 Aluminum Egg Crate 1/2" X 1/2" X 1/2" 45°

		Width (inches)		
		12	24	48
Height (inches)	6	4	7	14
	8	5	10	19
	12	7	14	28
	24	14	28	53

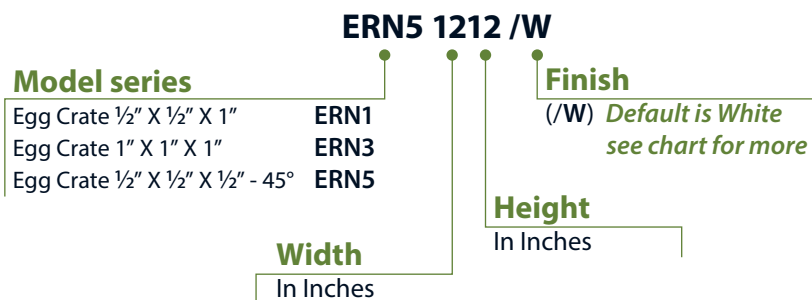


ERN Series Options

Option	Description	Applies To	List Adder (\$/unit)
/W	Powder Coated White (default)	All	-
/M	Mill Finish	All	-10%
Other Finishes	See Finish Chart (add setup charge if custom)	All	15%

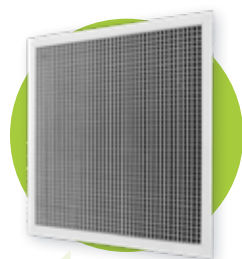
CEILING RETURNS

How to order ERN Series

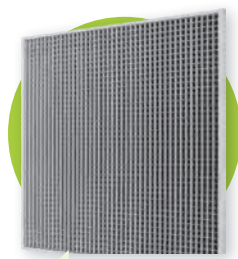


Aluminum Egg Crate Lay-In Returns – ERT/ERU Series

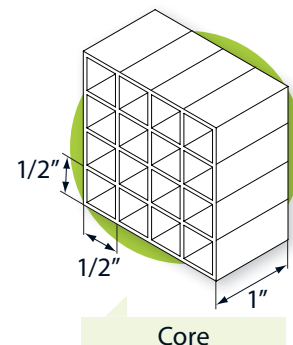
New Models!



ERT: 1" flange frame
Neck = list size - 2 1/4"



ERU: flangeless frame
Neck = list size - 1/4"



ERT1 / ERU1 Egg Crate Lay-In Return Grille 1/2" X 1/2" X 1" - no damper

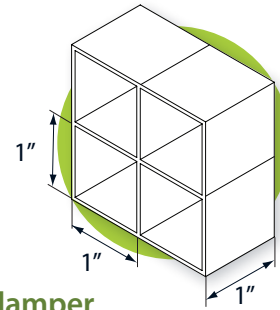
		Width (inches)		
		12	24	48
Height (inches)	6	18	28	46
	8	21	32	55
	12	26	42	72
	24	42	71	122

ERT17 / ERU17 Egg Crate Lay-In Return Grille 1/2" X 1/2" X 1" - with damper

		Width (inches)		
		12	24	48
Height (inches)	6	28	47	84
	8	32	54	97
	12	40	69	123
	24	69	137	223

ERT3 / ERU3 Egg Crate Lay-In Return Grille 1" X 1" X 1" - no damper

		Width (inches)		
		12	24	48
Height (inches)	6	17	25	41
	8	19	29	47
	12	23	36	61
	24	36	58	99

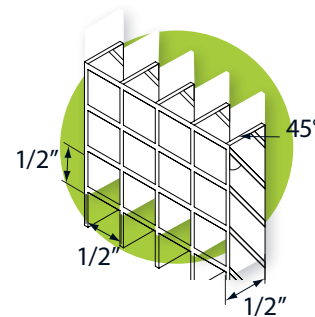


ERT37 / ERU37 Egg Crate Lay-In Return Grille 1" X 1" X 1" - with damper

		Width (inches)		
		12	24	48
Height (inches)	6	26	44	78
	8	30	51	89
	12	37	64	111
	24	64	123	200

ERT5 / ERU5 Egg Crate Lay-In Return Grille 1/2" X 1/2" X 1/2" 45° - no damper

		Width (inches)		
		12	24	48
Height (inches)	6	16	22	36
	8	17	25	41
	12	21	31	51
	24	31	48	80



ERT57 / ERU57 Egg Crate Lay-In Return Grille 1/2" X 1/2" X 1/2" 45° - with damper

		Width (inches)		
		12	24	48
Height (inches)	6	25	42	73
	8	28	47	83
	12	35	59	101
	24	59	113	180

ERT and ERU Series Options

Option	Description	Applies To	List Adder (\$/unit)
-X	Steel Panel Option	All	*
-Y	Aluminum Panel Option	All	*
/W	Powder Coated White (default)	All	-
/M	Mill Finish	All	-10%
Other Finishes	See Finish Chart (add setup charge if custom)	All	15%

*(See price table with all dimensions on p. 20)

How to order ERT and ERU Series

ERT5-Y2424 1212 /W

Model series

1" Frame Egg Crate 1/2" X 1/2" X 1"	ERT1
...with OBD	ERT17
1" Frame Egg Crate 1" X 1" X 1"	ERT3
...with OBD	ERT37
1" Frame Egg Crate 1/2" X 1/2" X 1/2" - 45°	ERT5
...with OBD	ERT57
Narrow Frame Egg Crate 1/2" X 1/2" X 1"	ERU1
...with OBD	ERU17
Narrow Frame Egg Crate 1" X 1" X 1"	ERU3
...with OBD	ERU37
Narrow Frame Egg Crate 1/2" X 1/2" X 1/2" - 45°	ERU5
...with OBD	ERU57

Extended face option

Steel Panel Options	-X
Aluminum Panel Options	-Y

Finish

(/W) *Default is White*
see chart for more

Height

In Inches

Width

In Inches

Extended face panel

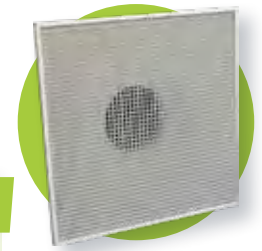
1212	12" x 12"
1224	12" x 24"
2412	24" x 12"
2424	24" x 24"
2448	24" x 48"
4824	48" x 24"
2020	20" x 20"

Aluminum Face, 45° Egg Crate – ERM, ERI and ERT Series

New Products!

- ERM5 Aluminum Face, Steel Back, Round Neck, 45° Egg Crate
- ERMF5 Filter Return, Aluminum Face, Round Neck, 45° Egg Crate
- ERI5 Aluminum Face, R6 Molded Fiberglass Back, Pre-Scored for Collars 6"-14", 45° Egg Crate
- ERIF5 Filter Return, Aluminum Face, R6 Molded Fiberglass Back, Pre-Scored for Collars 6"-14", 45° Egg Crate
- ERTF5 Filter Return, Aluminum Face, Square Neck, 45° Egg Crate

Model #	Face Neck	Neck	Box Qty	Skid Qty	List \$/unit
ERM5	12"x12"	6"-8"D	6	432	63
	24"x24"	6"-8"-10"-12"-14"D	1	72	85
ERMF5	24"x24"	Any Size Up To 14"D	1	72	98
ERI5	24"x24"	Any Size Up To 14"D	1	72	85
ERIF5	24"x24"	Any Size Up To 14"D	1	72	98
ERTF5	24"x24"	20" x 20"	1	72	92



Economical!

Save on cost and labour compared to square neck + transition.

ERM5 and ERI5 Series Options

Option	Description	Applies To	List Adder (\$/unit)
-R4	R4.2 Taped Insulation (N/A for ERI5 & ERIF5)	All	\$10
-R6	R6 Taped Insulation	All	\$15
-X	Steel Panel Option	All	*
-Y	Aluminum Panel Option	All	*
/W	Powder Coated White (default)	All	-
Other Finishes	See Finish Chart (add setup charge if custom)	All	15%

*(See price table with all dimensions on p. 20)

How to order ERM5 and ERI5 Series

ERM5 -R4-Y2424 2406 /W

Model series

Round Neck, 45°	ERM5
Filter Return, Round Neck, 45°	ERMF5
Insulated Back, 45°	ERI5
Filter Return, 45°	ERIF5
Filter Return, Square Neck, 45°	ERTF5

Finish

(/W) *Default is White
see chart for more*

Round neck diameter

(N/A for ERI5, ERIF5, ERTF5)

06	6"
08	8"
10	10"
12	12"
14	14"

Insulation (optional)

(Only with ERM5, ERMF5)

R4.2 Taped Insulation	-R4
R6 Taped Insulation	-R6

Extended face option

Steel Panel Options	-X
Aluminum Panel Options	-Y

Face dimensions

12	12" x 12" (Only with ERM5)
24	24" x 24" (Do not specify for ERI5, ERIF5, ERTF5)

Extended face panel

1212	12" x 12"
1224	12" x 24"
2412	24" x 12"
2424	24" x 24"
2448	24" x 48"
4824	48" x 24"
2020	20" x 20"



Grilles and registers

Catalog & Price List

NEW PRODUCTS

New Options for Grilles and Registers

**OPTION -X Panel Grilles (aka. steel face extension)
For all Models**

Option	Face Extension	Price List
-X1212	12" x 12"	27
-X1224	12" x 24"	27
-X2412	24" x 12"	27
-X2424	24" x 24"	27
-X2448	24" x 48"	53
-X4824	48" x 24"	53
-X2020	20" x 20"	27

**OPTION -Y Panel Grilles (aka. aluminum face extension)
For all Models**

Option	Face Extension	Price List
-Y1212	12" x 12"	40
-Y1224	12" x 24"	40
-Y2412	24" x 12"	40
-Y2424	24" x 24"	40
-Y2448	24" x 48"	68
-Y4824	48" x 24"	68
-Y2020	20" x 20"	40

Filter Grilles – F /FGAA Series

New Products!



- FGSA: Combines beauty and rust resistance of the aluminum frame with the rigidity of steel fins
- FGAA: All aluminum
- Invisible hinge and clip mechanism with removable grille
- Horizontal and vertical faces available for all models
- For in-between dimensions, use larger listed dimension for pricing
- For large grilles, use pricing software or request a quote

FGSA Filter Steel Fixed Blade Return Grille - no damper

Width (inches)

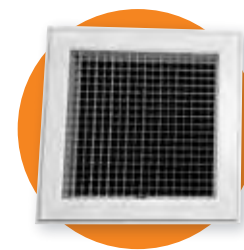
	4	6	8	10	12	14	16	18	20	22	24	26	28	30	36
4	14	15	16	18	19	20	22	24	27	29	32	34	36	40	45
5		17	17	19	21	23	25	26	28	31	34	36	38	41	49
6		18	18	20	22	24	27	28	29	33	35	40	42	46	53
8			20	22	24	27	28	31	33	34	37	45	48	51	59
10				24	26	29	31	35	36	37	42	50	54	57	66
12					28	31	35	37	41	44	47	54	58	63	73
14						36	37	43	45	50	54	60	63	69	82
16							43	47	52	57	60	64	72	76	92
18								53	59	63	69	73	79	87	103
20									63	70	76	81	88	97	113
22										79	82	89	99	100	117
24											85	101	109	107	124
26												108	118	131	163
28													127	142	180
30														152	197

FGAA Filter Aluminum Fixed Blade Return Grille - no damper

Width (inches)

	4	6	8	10	12	14	16	18	20	22	24	26	28	30	36
4	16	17	18	20	22	23	25	27	31	33	36	38	40	45	51
5		19	19	22	24	26	28	29	32	35	38	41	43	46	55
6		20	21	23	25	27	30	32	33	37	39	45	47	52	59
8			23	25	27	30	32	35	37	38	42	50	54	57	66
10				27	29	33	35	39	40	42	47	56	60	64	74
12					32	35	39	42	46	49	53	61	65	70	82
14						41	42	48	51	56	60	67	71	77	92
16							48	53	58	64	67	72	80	85	103
18								59	66	70	77	82	88	97	115
20									71	78	85	90	98	108	126
22										88	92	99	111	112	131
24											95	113	122	119	138
26												121	132	146	182
28													142	158	200
30														169	219

New Product!



Aluminum Egg Crate Face Filter Grilles – FERE/FERE5 Series

- All aluminum
- Quality gauge and paint
- Hinge size parallel to fin orientation
- For in-between dimensions, use larger listed dimension for pricing
- For large grilles, use pricing software or request a quote

FERE Egg Crate Face Filter Grille 1/2" x 1/2" x 1/2" - no damper

FERE5 Egg Crate Face Filter Grille 1/2" x 1/2" x 1/2", 45° - no damper

Add 20% to prices below

		Width (inches)														
		4	6	8	10	12	14	16	18	20	22	24	26	28	30	36
Height (inches)	4	18	19	19	22	24	26	27	30	34	36	39	41	43	49	56
	5		22	20	24	27	28	31	32	35	38	41	44	46	50	60
	6		22	23	25	28	29	33	35	36	40	43	48	51	57	65
	8			25	28	29	33	35	38	40	42	46	54	58	62	72
	10				29	32	36	38	43	44	46	51	61	65	69	81
	12					35	38	43	46	50	53	57	66	71	76	89
	14						44	46	52	55	61	65	73	78	84	100
	16							52	58	64	69	73	79	87	93	112
	18								64	72	77	84	89	96	105	125
	20									78	85	93	100	107	117	137
	22										94	96	99	121	134	155
	24											102	123	133	141	181
	26												131	144	159	198
28													156	172	218	
30														185	239	

FGSA, FGAA, FERE and FERE5 Series Options

Option	Description	List Adder
-H	Horizontal Blades (only for FGSA and FGAA)	-
-V	Vertical Blades (only for FGSA and FGAA)	-
-IS	Insect Screen	25%
-DS	Debris (bird) Screen	25%
-CW	Ceiling Security Wire	\$2
-X	Steel Panel Option	*
-Y	Aluminum Panel Option	*
/W	Powder Coated White (default)	-
/M	Mill Finish	-7%
/B	Brushed Aluminum Frame	15%
/L	Brushed & Lacquered	25%
/A	Anodized (only for FGAA and FERE)	100%
Other Finishes	See Finish Chart (add setup charge if custom)	15%

Note: add up all percentage adders first, then apply to List Price.

*(See price table with all dimensions on p. 28)

New Option -CW Ceiling Security Wire



Must specify for all ceiling applications with removable core (-RM option)

How to order FGSA, FGAA, FERE and FERE5 Series

FGAA-V-IS -X2424 1004 /W

Model series

Steel Fins	FGSA
Aluminum Fins	FGAA
Aluminum Egg Crate	FERE
Alum Egg Crate, 45°	FERE5

Blade orientation (optional)

Horizontal (default)	-H
Vertical	-V

Options

Insect Screen	-IS
Debris (bird) Screen	-DS
Ceiling Security Wire	-CW

Extended face option

Steel Panel Options	-X
Aluminum Panel Options	-Y

Finish

(/W) *Default is White see chart for more*

Height

In Inches

Width

In Inches

Extended face panel

1212	12" x 12"
1224	12" x 24"
2412	24" x 12"
2424	24" x 24"
2448	24" x 48"
4824	48" x 24"
2020	20" x 20"

Max. listed size: 46"x36" (multiple sections furnished for larger sizes)

GRILLES AND REGISTERS

**New
Product!**

Spiral Duct Grilles – GDA Series

- Adjustable Air Pattern
- For in between dimensions on the width, use larger listed dimension

Nice feature:
Fins follow the curve on the face of the grille.

GDA10 Single Deflection Spiral Duct Grille, Adjustable Aluminum Fins

		Width (inches)															
		4	6	8	10	12	14	16	18	20	22	24	26	28	30	36	
Height (inches)	3	27	28	28	28	30	33	35	43	45	53	58	60	68	75	90	
	4		28	28	30	33	35	38	45	53	55	60	68	75	80	98	
	6			30	30	33	35	38	43	48	55	58	68	70	78	88	103
	8				33	33	38	43	45	50	60	68	75	80	88	98	115
	10					35	43	45	50	58	70	75	80	88	98	105	128
	12						45	50	55	63	78	83	88	98	105	115	143



GDA18 Single Deflection Spiral Duct Grille, Adjustable Aluminum Fins – with Air-Scoop

		Width (inches)															
		4	6	8	10	12	14	16	18	20	22	24	26	28	30	36	
Height (inches)	3	32	33	33	33	36	39	42	51	54	63	69	72	81	90	108	
	4		33	33	36	39	42	45	54	63	66	72	81	90	96	117	
	6			36	36	39	42	45	51	57	66	69	81	84	93	105	123
	8				39	39	45	51	54	60	72	81	90	96	105	117	138
	10					42	51	54	60	69	84	90	96	105	117	126	153
	12						54	60	66	75	93	99	105	117	126	138	171



GDA20 Double Deflection Spiral Duct Grille, Adjustable Aluminum Fins

		Width (inches)															
		4	6	8	10	12	14	16	18	20	22	24	26	28	30	36	
Height (inches)	3	37	38	45	48	50	53	60	63	65	73	80	85	95	105	120	
	4		43	45	50	53	60	63	65	73	78	83	93	105	113	135	
	6			45	45	50	53	60	63	70	78	80	93	105	113	125	143
	8				48	55	60	63	70	75	85	98	110	115	128	140	160
	10					58	63	73	78	85	98	110	118	130	143	153	188
	12						73	75	85	93	113	120	130	143	155	168	208



GDA28 Double Deflection Spiral Duct Grille, Adjustable Aluminum Fins – with Air-Scoop

		Width (inches)															
		4	6	8	10	12	14	16	18	20	22	24	26	28	30	36	
Height (inches)	3	41	42	50	53	55	58	66	69	72	80	88	94	105	116	132	
	4		47	50	55	58	66	69	72	80	86	91	102	116	124	149	
	6			50	55	58	66	69	77	86	88	102	116	124	138	157	
	8				53	61	66	69	77	83	94	108	121	127	141	154	176
	10					64	69	80	86	94	108	121	130	143	157	168	207
	12						80	83	94	102	124	132	143	157	171	185	229

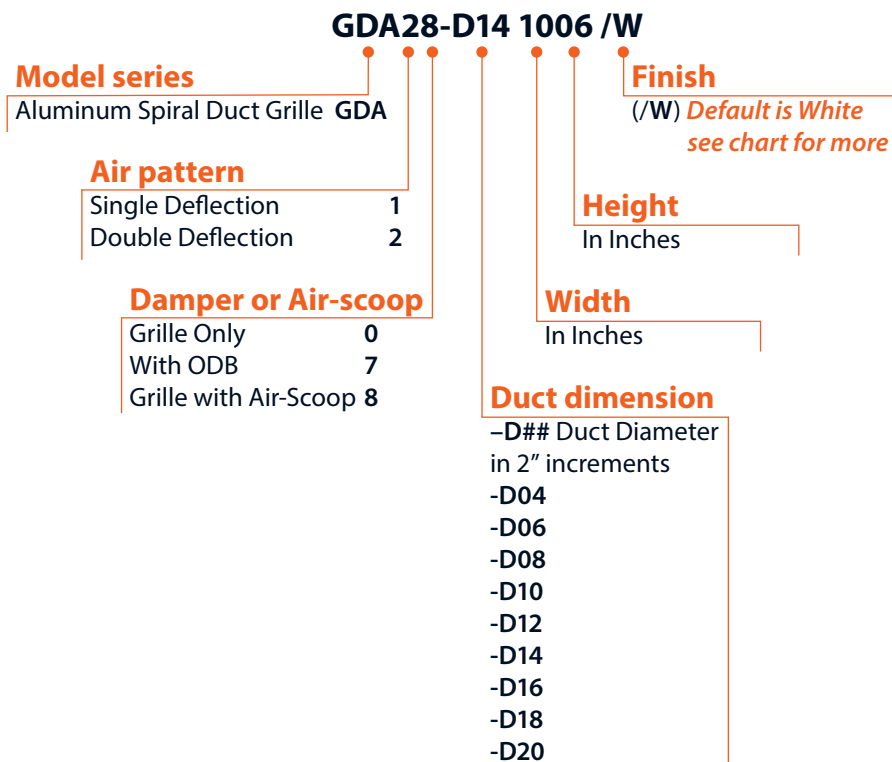


GDA Series Options

Option	Description	List Adder (\$/unit) GDA1x	List Adder (\$/unit) GDA2x
-D##	Where ## is equal to the duct diameter	-	-
/W	Powder Coated White (default)	-	-
/M	Mill Finish	-7%	-5%
Other Finishes	See Finish Chart (add setup charge if custom)	15%	15%

Note: add up all percentage adders first, then apply to List Price.

How to order GDA Series



Max. listed size: 36"x12"

Aluminum Door Grilles – GADS, GADA and GADC Series

- All aluminum
- Sturdy construction
- For in-between dimensions on the width, please request a quote
- For large grilles, use pricing software or request a quote
- Machine setup charges apply on odd and fractional dimensions on the width (except 5" wide)

GADS Aluminum Door Grille – one side only - no damper

		Width (inches)														
		4	6	8	10	12	14	16	18	20	22	24	26	28	30	36
Height (inches)	4	13	14	16	16	18	18	24	25	28	30	28	32	33	35	38
	5		15	16	18	19	21	25	26	28	31	33	34	37	37	46
	6		16	17	19	20	22	26	28	31	34	35	38	39	41	54
	8			19	21	22	24	29	31	34	36	40	42	45	48	61
	10				24	25	29	32	35	38	39	43	45	52	53	67
	12					28	32	35	37	40	45	47	49	55	58	77
	14						34	38	43	46	49	53	58	62	65	87
	16							42	47	52	56	60	65	67	70	97
	18								51	57	61	66	72	77	79	105
	20									63	67	74	79	86	90	120
	22										72	81	90	97	99	135
	24											89	97	106	110	150



GADA Aluminum Door Grille - w/ aux. frame - no damper

GADC Aluminum Door Grille – concealed - no damper (available soon)

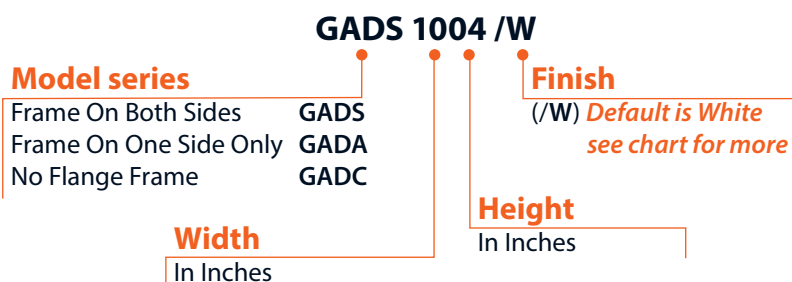
		Width (inches)														
		4	6	8	10	12	14	16	18	20	22	24	26	28	30	36
Height (inches)	4	18	19	21	22	24	25	32	34	37	40	37	42	44	47	51
	5		20	22	24	26	28	34	35	38	41	44	45	49	50	61
	6		21	23	25	27	30	35	38	41	45	46	51	52	55	72
	8			26	28	30	32	39	42	45	48	53	56	60	64	81
	10				32	34	39	43	47	50	52	57	61	69	71	90
	12					38	43	47	50	54	60	63	66	74	78	103
	14						46	51	58	62	65	71	77	83	87	116
	16							57	63	70	75	80	87	90	94	129
	18								69	76	81	88	96	103	106	140
	20									85	90	99	106	115	120	160
	22										97	108	120	129	132	180
	24											119	129	141	147	200

GADS, GADA and GADC Series Options

Option	Description	List Adder
/W	Powder Coated White (Default)	-
/M	Mill Finish	-7%
/B	Brushed Aluminum Frame	15%
/L	Brushed & Lacquered	25%
/A	Anodized	100%
Other Finishes	See Finish Chart (add setup charge if custom)	15%

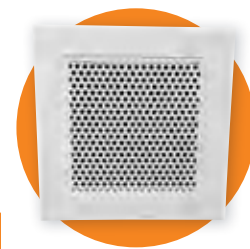
Note: add up all percentage adders first, then apply to List Price.

How to order GADS, GADA and GADC Series



Max. listed size: 36"x24" (multiple sections furnished for larger sizes)

New Product!



Perforated Face Grilles – PRE Series

- Combines beauty and rust resistance of the aluminum frame with the rigidity of the perforated steel face
- For in-between dimensions, use larger listed dimension for pricing

PRE Perforated Face Grille - no damper

		Width (inches)														
		4	6	8	10	12	14	16	18	20	22	24	26	28	30	36
Height (inches)	4	8	9	9	9	10	11	12	13	14	15	16	17	19	21	26
	5		9	9	10	11	12	12	14	15	16	17	19	21	23	27
	6		10	10	11	12	12	13	15	16	17	19	20	22	25	29
	8			11	11	12	13	14	16	18	19	21	23	25	27	33
	10				12	13	14	16	18	20	21	23	25	27	30	36
	12					14	16	17	20	22	24	25	27	30	33	40
	14						17	19	23	24	26	29	32	35	37	43
	16							23	27	28	29	32	36	39	41	48
	18								30	31	32	34	37	42	46	53
	20									34	38	40	46	47	51	61
	22										39	46	50	51	56	66
	24											47	51	55	61	75
	26												55	61	66	83
28													76	77	91	
30														79	99	

PRE7 Perforated Face Grille - with damper

		Width (inches)														
		4	6	8	10	12	14	16	18	20	22	24	26	28	30	36
Height (inches)	4	14	15	15	17	18	20	21	23	24	26	28	29	34	37	43
	5		16	16	17	19	22	23	24	26	28	29	32	36	40	46
	6		17	17	18	20	23	23	26	28	29	31	35	38	43	49
	8			18	20	22	25	26	28	31	33	36	39	43	48	55
	10				22	23	26	29	31	35	36	40	44	49	53	61
	12					26	29	31	34	38	42	44	49	54	57	67
	14						32	34	39	43	46	50	54	59	63	71
	16							43	48	51	56	60	64	68	73	88
	18								55	58	61	66	70	76	82	97
	20									63	71	75	83	87	95	107
	22										74	82	93	101	101	122
	24											89	100	106	113	140
	26												106	114	122	153
28													131	137	172	
30														145	186	

PRE Series Options

Option	Description	List Adder (\$/unit) PRE	List Adder (\$/unit) PRE7
-1	No Screw Holes	-	-
-2	Spring Clips	-	-
-3	Screw Holes (default)	-	-
-6	Adhesive Mounting	18%	10%
-GK	Flange Gasket	18%	10%
-GN	Neck Gasket	18%	10%
-SF	Supplied With Sub Frame	70%	40%
-IS	Insect Screen	25%	20%
-DS	Debris (bird) Screen	25%	20%
-U	One Piece	20%	20%
-X	Steel Panel Option	*	*
-Y	Aluminum Panel Option	*	*
/W	Powder Coated White (default)	-	-
/M	Mill Finish	-10%	-5%
/B	Brushed Aluminum Frame	10%	5%
/L	Brushed & Lacquered	20%	15%
Other Finishes	See Finish Chart (add setup charge if custom)	15%	10%

Note: add up all percentage adders first, then apply to List Price.

*(See price table with all dimensions on p. 28)

How to order PRE and PRE7 Series

PRE-1-SF-Y2424 4812 /W

Model series
Grille Only PRE
Register with OBD PRE7

Fastening (optional)
No Fastening -1
Spring Clip -2
Screw (default) -3
Adhesive Mounting -6

Options
Sub Frame -SF
Debris (bird) Screen -DS
Insect Screen -IS
Flange Gasket -GK
Neck Gasket -GN
One Piece -U

Extended face option
Steel panel options -X
Aluminum panel options -Y

Finish
(/W) Default is White
see chart for more

Height
In Inches

Width
In Inches

Extended face panel

1212	12" x 12"
1224	12" x 24"
2412	24" x 12"
2424	24" x 24"
2448	24" x 48"
4824	48" x 24"
2020	20" x 20"

Max. listed size: 46"x36" (multiple sections furnished for larger sizes), unless -U option is specified.

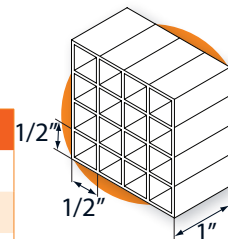
New Product!

Egg Crate Face Grilles – ERE Series

- All aluminum
- For larger grilles use pricing software or request a quote
- Aesthetic options (1" deep, 1" cube, 45°)

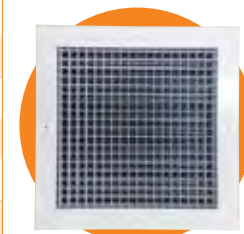
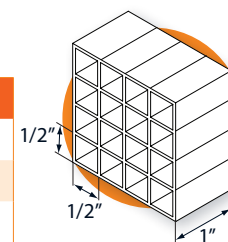
ERE1 Egg Crate Return Grille 1/2" x 1/2" x 1" deep - no damper

		Width (inches)														
		4	6	8	10	12	14	16	18	20	22	24	26	28	30	36
Height (inches)	4	14	15	17	18	20	21	24	25	27	28	32	50	52	53	58
	5		16	18	20	21	22	26	27	29	30	34	54	55	57	63
	6		17	19	21	22	24	28	29	31	32	37	57	59	61	67
	8			21	23	25	27	31	33	35	37	42	64	66	69	77
	10				26	28	31	34	37	39	42	47	71	74	77	86
	12					31	34	38	41	43	46	51	77	81	84	95
	14						37	41	44	48	51	56	84	88	92	104
	16							44	48	51	55	61	91	95	100	113
	18								52	55	59	66	98	103	108	122
	20									60	64	71	105	110	115	132
	22										68	76	111	117	123	141
	24											96	137	144	150	169
	26												158	165	171	192
28													172	179	201	
30														187	210	



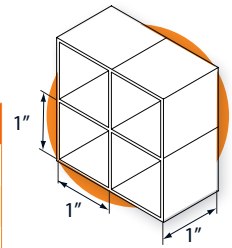
ERE17 Egg Crate Return Grille 1/2" x 1/2" x 1" deep - with damper

		Width (inches)														
		4	6	8	10	12	14	16	18	20	22	24	26	28	30	36
Height (inches)	4	21	22	24	26	27	30	35	36	42	43	49	57	61	80	86
	5		24	26	28	30	33	37	39	46	47	54	61	66	87	94
	6		25	27	30	32	35	40	42	49	51	58	66	70	93	101
	8			31	34	37	40	45	47	56	58	65	74	79	104	114
	10				38	41	45	50	53	62	65	73	82	87	116	127
	12					45	50	55	58	69	72	80	90	95	127	140
	14						54	60	64	75	79	87	97	104	138	154
	16							64	68	81	85	94	105	112	150	167
	18								73	87	92	102	113	120	161	180
	20									105	110	120	146	151	201	221
	22										118	129	155	161	215	244
	24											161	189	195	259	295
	26												208	216	285	329
28													229	313	350	
30														332	375	



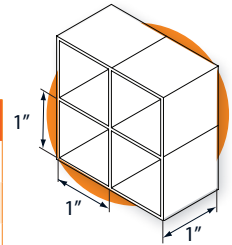
obd3 Egg Crate Return Grille 1" x 1" x 1" - no damper

		Width (inches)														
		4	6	8	10	12	14	16	18	20	22	24	26	28	30	36
Height (inches)	4	14	15	16	17	19	20	23	24	25	26	30	37	38	39	42
	5		16	17	18	20	21	24	25	27	28	32	39	40	41	45
	6		16	18	19	21	22	25	27	28	30	34	41	42	44	48
	8			20	22	23	25	28	30	32	33	37	45	47	49	54
	10				24	26	28	31	33	35	37	41	49	51	53	59
	12					28	30	34	36	38	40	45	54	56	58	65
	14						33	37	39	42	44	49	58	60	63	70
	16							39	42	44	47	53	62	65	68	76
	18								45	48	51	57	66	69	72	82
	20									51	54	61	70	74	77	87
	22										58	65	75	78	82	93
	24											84	94	98	102	113
	26												108	113	117	129
	28													117	122	135
30														126	141	



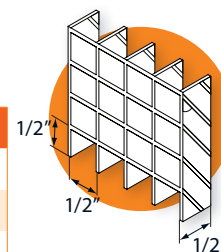
ERE37 Egg Crate Return Grille 1" x 1" x 1" - with damper

		Width (inches)														
		4	6	8	10	12	14	16	18	20	22	24	26	28	30	36
Height (inches)	4	21	22	23	25	26	29	33	35	40	42	47	55	59	60	64
	5		23	25	27	28	31	36	37	43	45	51	59	63	64	69
	6		25	26	29	30	33	38	40	47	49	55	63	67	69	74
	8			30	32	34	38	42	44	52	55	61	69	74	76	83
	10				36	39	42	46	49	58	61	67	76	81	84	91
	12					42	46	51	54	64	67	74	83	88	91	100
	14						50	55	58	69	72	80	90	95	99	109
	16							58	62	74	78	86	96	102	106	117
	18								67	79	83	93	103	109	114	126
	20									96	101	110	134	139	143	157
	22										108	118	143	148	153	173
	24											149	176	181	186	211
	26												194	201	205	236
	28													213	226	251
30														239	269	



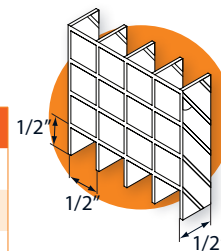
ERE5 Egg Crate Return Grille 1/2" x 1/2" x 1/2 - 45° - no damper

		Width (inches)														
		4	6	8	10	12	14	16	18	20	22	24	26	28	30	36
Height (inches)	4	10	11	12	13	14	15	18	19	20	21	24	31	32	33	36
	5		12	13	14	15	16	19	20	21	22	26	33	34	35	38
	6		12	13	15	16	17	20	21	22	24	27	35	36	37	40
	8			15	17	18	19	22	24	25	26	30	38	39	41	45
	10				19	20	22	24	26	28	29	33	41	43	44	49
	12					22	24	27	28	30	32	36	44	46	48	53
	14						26	29	31	33	35	39	47	49	51	57
	16							30	33	35	37	42	51	53	55	61
	18								35	37	40	45	54	56	59	66
	20									40	43	48	57	60	62	70
	22										45	51	60	63	66	74
	24											69	78	81	84	93
	26												92	95	98	108
	28													99	102	112
30														106	116	



ERE57 Egg Crate Return Grille 1/2" x 1/2" x 1/2 - 45° - with damper

		Width (inches)														
		4	6	8	10	12	14	16	18	20	22	24	26	28	30	36
Height (inches)	4	17	18	19	21	22	24	28	30	35	36	42	49	53	54	58
	5		19	21	22	24	26	31	32	38	40	45	53	56	58	62
	6		20	22	24	26	28	33	34	41	43	48	56	60	62	67
	8			25	27	29	32	36	38	46	48	54	62	66	68	74
	10				31	33	36	40	42	51	53	59	68	72	74	81
	12					36	39	43	46	56	58	65	74	78	81	88
	14						43	47	50	60	63	70	79	84	87	96
	16							50	53	64	67	75	85	90	94	103
	18								57	69	72	81	90	96	100	110
	20									85	89	98	121	125	129	140
	22										95	104	129	133	137	154
	24											135	160	165	169	191
	26												178	183	187	215
	28													194	206	228
30														218	245	



ERE Series Options

Option	Description	List Adder (\$/unit) ERE1/ERE3/ ERE5	List Adder (\$/unit) ERE17/ERE37/ ERE57
-1	No Screw Holes	-	-
-2	Spring Clips	-	-
-3	Screw Holes (default)	-	-
-6	Adhesive Mounting	15%	9%
-GK	Flange Gasket	15%	9%
-GN	Neck Gasket	15%	9%
-SF	Supplied With Sub Frame	70%	40%
-IS	Insect Screen	25%	20%
-DS	Debris (bird) Screen	25%	20%
-U	One Piece	20%	20%
-X	Steel Panel Option	*	*
-Y	Aluminum Panel Option	*	*
/W	Powder Coated White (default)	-	-
/M	Mill Finish	-10%	-5%
/B	Brushed Aluminum Frame	10%	5%
/L	Brushed & Lacquered	20%	15%
Other Finishes	See Finish Chart (add setup charge if custom)	15%	10%

Note: add up all percentage adders first, then apply to List Price.

*(See price table with all dimensions on p. 28)

How to order ERE1, ERE3 and ERE5 series

ERE17-1-SF-Y2424 4810 /W

Model series

1/2" x 1/2" x 1" Egg Crate Face **ERE10**
... with OBD **ERE17**
1" x 1" x 1" Egg Crate Face **ERE30**
... with OBD **ERE37**
1/2" x 1/2" x 1/2" Egg Crate Face **ERE50**
... with OBD **ERE57**

Fastening (optional)

No Fastening -1
Spring Clip -2
Screw (default) -3
Adhesive Mounting -6

Options

Sub Frame -SF
Debris (bird) Screen -DS
Insect Screen -IS
Flange Gasket -GK
Neck Gasket -GN
One Piece -U

Finish
(/W) *Default is White see chart for more*

Height
In Inches

Width
In Inches

Extended face panel

1212	12" x 12"
1224	12" x 24"
2412	24" x 12"
2424	24" x 24"
2448	24" x 48"
4824	48" x 24"
2020	20" x 20"

Extended face option

-X Steel panel options
-Y Aluminum panel options

Max. listed size:
46"x36" (multiple sections furnished for larger sizes), unless -U option is specified.

New Product!

Aluminum Curved Blade Grilles & Registers – GCB Series

- All aluminum with recessed blades
- For in-between dimensions, use larger listed dimension for pricing
- For larger grilles use pricing software or request a quote

GCB10 1 Way Curved Blade Grille

GCB20 2 Way Curved Blade Grille

GCB30 3 Way Curved Blade Grille

GCB40 4 Way Curved Blade Grille

Add 20% to prices below

New
3 way and 4 way air patterns

		Width (inches)													
		6	8	10	12	14	16	18	20	22	24	26	28	30	36
Height (inches)	4	18	21	22	23	24	29	30	33	35	39	42	46	51	59
	5	20	21	23	24	29	30	31	35	38	41	45	54	56	66
	6	21	21	23	24	29	30	32	38	39	45	54	56	61	70
	8		22	25	29	30	32	35	42	47	55	57	63	69	79
	10			28	30	33	36	40	47	55	58	64	70	75	91
	12				33	35	40	44	56	59	64	70	76	82	103
	14					41	45	51	63	66	75	80	88	95	110
	16						55	63	71	76	80	89	99	105	126
	18							68	80	87	93	102	111	118	143
	20								92	103	109	117	127	140	162
	22									115	123	133	146	154	191
	24										135	146	161	174	212
	26											158	174	189	238
	28												183	205	263
30													222	282	



GCB10-WV



GCB20-WOH



GCB30-WA



GCB40-WS

GCB17 1 Way Curved Blade Register with OBD
 GCB27 2 Way Curved Blade Register with OBD
 GCB37 3 Way Curved Blade Register with OBD
 GCB47 4 Way Curved Blade Register with OBD

Add 20% to
prices below

		Width (inches)													
		6	8	10	12	14	16	18	20	22	24	26	28	30	36
Height (inches)	4	25	28	31	33	35	40	42	45	48	54	57	64	71	80
	5	28	29	32	34	41	42	43	48	53	56	61	72	77	89
	6	29	29	32	34	41	42	45	53	55	60	72	76	83	95
	8		31	36	40	44	46	49	59	64	74	77	86	95	106
	10			40	42	47	51	55	65	74	79	88	97	103	122
	12				47	50	56	60	76	81	88	97	105	111	137
	14					58	63	70	86	91	100	107	119	126	145
	16						79	88	101	109	113	125	135	145	175
	18							97	113	123	132	143	153	162	197
	20								129	146	154	165	179	197	222
	22									161	171	190	211	214	265
	24										189	209	227	241	297
	26											224	244	262	329
	28												255	283	368
	30													308	395

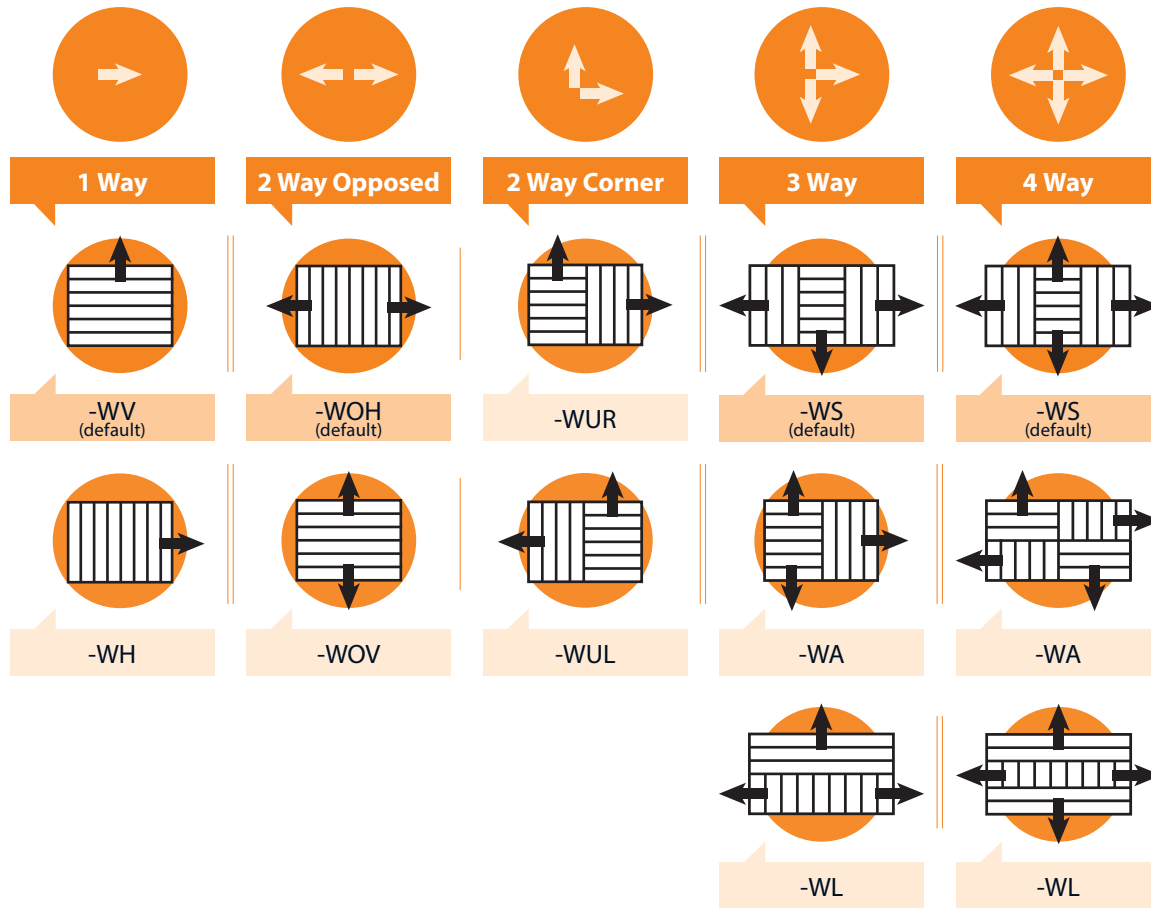
GCB Series Options

Option	Description	List Adder	List Adder (with damper)
-AB	Adjustable Blades	-	-
-FB	Fixed Blades	-	-
-1	No Screw Holes (default has Screw Holes)	-	-
-2	Spring Clips (default has Screw Holes)	-	-
-3	Screw Holes (default)	-	-
-6	Adhesive Mounting	8%	6%
-WV	Way Vertical (default for 1 way)	-	-
-WH	Way Horizontal	-	-
-WOV	Way Opposed Vertical	-	-
-WOH	Way Opposed Horizontal (default for 2 way)	-	-
-WUL	Way Corner Upper Left	-	-
-WUR	Way Corner Upper Right	-	-
-WS	Standard Discharge Pattern (default for 3 & 4 way)	-	-
-WA	Way Alternate Discharge Pattern	-	-
-WL	Way Alternate Discharge Pattern (long)	-	-
-GK	Flange Gasket	8%	6%
-GN	Neck Gasket	8%	6%
-SF	Supplied With Sub Frame	50%	30%
-IS	Insect Screen	20%	15%
-DS	Debris (bird) Screen	20%	15%
-U	One Piece	20%	20%
-X	Steel Panel Option	*	*
-Y	Aluminum Panel Option	*	*
/W	Powder Coated White (default)	-	-
/M	Mill Finish	-	-
/B	Brushed Aluminum (GAA series only)	15%	10%
/L	Brushed & Lacquered	25%	20%
/A	Anodized	100%	70%
Other Finishes	See Finish Chart (add setup charge if custom)	15%	10%

Note: add up all percentage adders first, then apply to List Price.

*(See price table with all dimensions on p. 28)

Alternate Discharge Patterns



How to order GCB Series

GCB10-AB-1-WV-SF-Y2424 4812 /W

Model serie

Covered Recessed Blade Grille GCB

Blade Pattern

1 Way	1
2 Way	2
3 Way	3
4 Way	4

Grille/Register

Grille Only	0
Register with OBD	7

Blade Deflection

Adjustable Blades (default)	-AB
Fixed Blades	-FB

Fastening (optional)

No Fastening	-1
Spring Clip	-2
Screw (Default)	-3
Adhesive Mounting	-6

Blade configuration

Way Vertical (default for 1 way)	-WV
Way Horizontal	-WH
Way Opposed Vertical	-WOV
Way Opposed Horizontal (default for 2 way)	-WOH
Way Corner Upper Left	-WUL
Way Corner Upper Right	-WUR
Standard Discharge Pattern (default for 3 & 4 way)	-WS
Way Alternate Discharge Pattern	-WA
Way Alternate Discharge Pattern (long)	-WL

Finish

(/W) Default is White
see chart for more

Height

In Inches

Width

In Inches

Extended face panel

1212	12" x 12
1224	12" x 24"
2412	24" x 12"
2424	24" x 24"
2448	24" x 48"
4824	48" x 24"
2020	20" x 20"

Extended face option

- X Steel panel options
- Y Aluminum panel options

Options

-SF	Sub Frame
-DS	Debris (bird) Screen
-IS	Insect Screen
-GK	Flange Gasket
-GN	Neck Gasket
-U	One Piece

Max. listed size:
46"x36" (multiple
sections furnished
for larger sizes),
unless -U option is
specified.



Architectural linears

Catalog & Price List

NEW PRODUCTS

■ New options for Architectural Linears

**OPTION -X Panel Grilles (aka. steel face extension)
For all Models**

Option	Face Extension	Price List
-X1212	12" x 12"	27
-X1224	12" x 24"	27
-X2412	24" x 12"	27
-X2424	24" x 24"	27
-X2448	24" x 48"	53
-X4824	48" x 24"	53
-X2020	20" x 20"	27

**OPTION -Y Panel Grilles (aka. aluminum face extension)
For all Models**

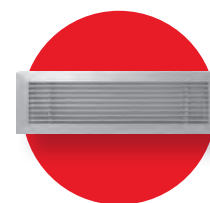
Option	Face Extension	Price List
-Y1212	12" x 12"	40
-Y1224	12" x 24"	40
-Y2412	24" x 12"	40
-Y2424	24" x 24"	40
-Y2448	24" x 48"	68
-Y4824	48" x 24"	68
-Y2020	20" x 20"	40

Linear Bar Grilles & Registers – ALB Series

- All aluminum
- Max 72" per Section, No Maximum Length

ALB10 Linear Bar Grille, 1/4" Spacing, 1/8" Bars, 0° - narrow

		Length (inches)																
		6	8	10	12	14	16	18	24	30	36	42	48	54	60	66	72	Extra 6"
Width (inches)	1.5	13	14	16	17	19	22	24	32	42	49	55	62	69	76	83	90	10
	2	14	15	17	18	21	23	26	36	48	56	64	72	80	88	96	104	11
	2.5	15	17	18	20	23	27	30	40	53	62	71	80	89	98	107	116	12
	3	17	19	20	22	25	29	32	43	59	69	79	89	99	110	120	130	13
	3.5	18	20	22	24	28	31	35	48	64	75	86	97	108	120	131	142	14
	4	19	21	24	26	30	33	37	51	69	81	93	105	117	129	142	154	15
	5	22	25	27	30	35	39	44	60	82	96	111	126	140	155	170	184	18
	6	26	29	32	35	41	47	53	71	97	114	132	149	167	184	202	219	20
	8	31	35	39	43	50	58	65	88	121	143	165	187	209	231	254	276	25
	10	37	42	46	51	60	68	77	106	145	171	198	225	252	279	305	332	29
	12	42	48	53	59	69	79	89	122	168	199	230	261	293	324	355	386	34



Note: Use larger listed dimension for in-between lengths & widths

Linear Bar Grille:

ALB20 1/2" Spacing, 1/8" Bars, 0°

ALB30 1/2" Spacing, 3/16" Bars, 0°

ALB40 1/2" Spacing, 3/16" Bars, 15°

ALB50 1/2" Spacing, 3/16" Bars, 30°

ALB60 1/2" Spacing, 1/4" Bars, 0° - pencil proof

ALB70 1/2" Spacing, 1/4" Bars, 15° - pencil proof

ALB80 1/2" Spacing, Deflected Bars, 38°

ALB90 3/4" Spacing, Deflected Bars, 38°

		Length (inches)																
		6	8	10	12	14	16	18	24	30	36	42	48	54	60	66	72	Extra 6"
Width (inches)	1.5	12	13	14	15	17	19	21	28	37	43	49	55	61	67	73	80	9
	2	13	14	16	17	19	21	23	31	41	47	54	61	67	74	81	87	10
	2.5	14	15	17	18	20	23	25	33	44	51	59	66	73	81	88	95	10
	3	14	15	17	18	21	23	26	35	47	55	63	71	79	87	95	103	11
	3.5	15	17	18	20	23	26	29	38	51	59	68	76	85	94	102	111	12
	4	16	18	19	21	24	28	31	41	54	63	73	82	91	100	109	119	12
	5	18	20	21	23	27	30	34	45	61	71	82	92	103	113	124	134	14
	6	20	22	24	26	30	34	38	51	69	81	92	104	116	128	140	152	15
	8	23	26	28	31	36	41	46	61	83	98	112	127	142	156	171	186	18
	10	27	30	33	36	42	48	54	72	98	115	132	150	167	184	202	219	21
	12	30	34	38	42	48	55	61	83	112	132	152	172	192	213	233	253	24

Note: Use larger listed dimension for in-between lengths & widths

ALB17 Linear Bar Register with Opposed Blade Damper, 1/4" Spacing, 1/8" Bars, 0° - narrow

		Length (inches)																
		6	8	10	12	14	16	18	24	30	36	42	48	54	60	66	72	Extra 6"
Width (inches)	3	24	27	28	31	35	41	45	60	83	97	111	125	139	154	168	182	18
	4	27	29	34	36	42	46	52	71	97	113	130	147	164	181	199	216	21
	5	31	35	38	42	49	55	62	84	115	134	155	176	196	217	238	258	25
	6	36	41	45	49	57	66	74	99	136	160	185	209	234	258	283	307	28
	8	43	49	55	60	70	81	91	123	169	200	231	262	293	323	356	386	35
	10	52	59	64	71	84	95	108	148	203	239	277	315	353	391	427	465	41
	12	59	67	74	83	97	111	125	171	235	279	322	365	410	454	497	540	48

Note: Use larger listed dimension for in-between lengths & widths

Linear Bar Register With Opposed Blade Damper:

ALB27 1/2" Spacing, 1/8" Bars, 0°

ALB37 1/2" Spacing, 3/16" Bars, 0°

ALB47 1/2" Spacing, 3/16" Bars, 15°

ALB57 1/2" Spacing, 3/16" Bars, 30°

ALB67 1/2" Spacing, 1/4" Bars, 0° - pencil proof

ALB77 1/2" Spacing, 1/4" Bars, 15° - pencil proof

ALB87 1/2" Spacing, Deflected Bars, 38°

ALB97 3/4" Spacing, Deflected Bars, 38°

		Length (inches)																
		6	8	10	12	14	16	18	24	30	36	42	48	54	60	66	72	Extra 6"
Width (inches)	3	20	21	24	25	29	32	36	49	66	77	88	99	111	122	133	144	15
	4	22	25	27	29	34	39	43	57	76	88	102	115	127	140	153	167	17
	5	25	28	29	32	38	42	48	63	85	99	115	129	144	158	174	188	20
	6	28	31	34	36	42	48	53	71	97	113	129	146	162	179	196	213	21
	8	32	36	39	43	50	57	64	85	116	137	157	178	199	218	239	260	25
	10	38	42	46	50	59	67	76	101	137	161	185	210	234	258	283	307	29
	12	42	48	53	59	67	77	85	116	157	185	213	241	269	298	326	354	34

Note: Use larger listed dimension for in-between lengths & widths

Mitered Corner Angle for ALB Series:

ALBMC1 1/4" Spacing, 1/8" Bars, 0°

ALBMC2 1/2" Spacing, 1/8" Bars, 0°

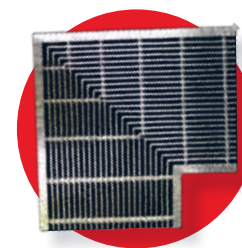
ALBMC3 1/2" Spacing, 3/16" Bars, 0°

ALBMC4 1/2" Spacing, 3/16" Bars, 15°

ALBMC5 1/2" Spacing, 3/16" Bars, 30°

ALBMC6 1/2" Spacing, 1/4" Bars, 0° - pencil proof

Width	90 Degree	Other Angles
2" - 3.5"	200	500
4" - 7.5"	250	600
8" - 12"	300	700



ALB Series Options

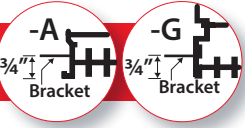
Option	Description	Restrictions	List Adder ALBx0 ALBMC	List Adder ALBx7
-A	Frame A (narrow), Flange 3/8"	N/A with -3, -RM	-	-
-B	Frame B, Rounded Edge Flange 13/16"	N/A with -3, -RM	-	-
-E	Frame E, Flat Flange 1"	N/A with -RM	-	-
-F	Frame F (floor), Flange 1"	Only with -RM, N/A with -2, -4	-	-
-G	Frame G (floor, narrow), Flange 3/16"	Only with -1 and -RM	10%	6%
-R	Frame R, Beveled Flange 1"	N/A with -RM	-	-
-T	Frame T (T-Bar), Flat Flange 1"	N/A with -2, -3, -4, -RM	-	-
-1	No Fastening	-	-	-
-2	Spring Clip Fastening	N/A with -F, -G	-	-
-3	Screw Fastening	N/A with -A, -B, -G	-	-
-4	Concealed Fastening	N/A with ALB1, -F, -G, Min Width 4"	10%	N/A
-5	Removable Core Spring Clips	Only with -F or -G & -RM	5%	3%
-6	Adhesive Mounting	N/A with -A, -G	5%	3%
-LS	List Size (default)	-	-	-
-NS	Exact Neck Size	-	-	-
-FS	Exact Face Size	-	-	-
-IS	Insect Screen	-	10%	N/A
-DS	Debris (bird) Screen	-	10%	N/A
-CW	Ceiling Security Wire (new option)	-	\$2	\$2
-V	Vertical Bars (parallel to short dimension)	Max 16" Length	5%	3%
-L	Control (air equalizing) Grid	Minimum Width: 4"	20%	12%
-RF	Reinforced for Floor Applications	-	15%	10%
-RM	Removable Core	Only with -F, -G	5%	3%
-GK	Flange Gasket	-	5%	3%
-GN	Neck Gasket	-	5%	3%
-SB	Mounting Brackets for Sheetrock (new option)	Only with -A, -G	\$1.5	\$1.5

Continued on
next page >>

New Option

-SB


Mounting Brackets
for Sheetrock



New Option

-CW

Ceiling Security Wire



- Ceiling Security Wire
- Screws
- Removable core

Must specify for all ceiling applications
with removable core (-RM option)

◀ Continued from
 previous page

Option	Description	Restrictions	List Adder ALBx0 ALBMC	List Adder ALBx7
-X	Steel Panel Option	Only with S, -RM	*	*
-Y	Aluminum Panel Option	-	*	*
/M	Mill Finish	-	-	-
/W	Powder Coated White	-	15%	9%
/A	Anodized	-	25%	22%
/B	Brushed Aluminum	N/A with -R	20%	15%
/L	Brushed and Lacquered	N/A with -R	25%	20%
Other Finishes	See Finish Chart (add setup charge if custom)	-	20% +Setup charge	15% +Setup charge

Note: add up all percentage adders first, then apply to List Price.

*(See price table with all dimensions on p. 48)

How to order ALB series

ALB10-F-LS-1-RM-Y2424 48 4 /W

Model series

1/4" Spacing, 1/8 Bar, 0°	ALB10
... with OBD	ALB17
1/2" Spacing, 1/8 Bar, 0°	ALB20
... with OBD	ALB27
1/2" Spacing, 3/16 Bar, 0°	ALB30
... with OBD	ALB37
1/2" Spacing, 3/16 Bar, 15°	ALB40
... with OBD	ALB47
1/2" Spacing, 3/16 Bar, 30°	ALB50
... with OBD	ALB57
1/2" Spacing, 1/4 Bar, 0°	ALB60
... with OBD	ALB67
1/2" Spacing, 1/4 Bar, 15°	ALB70
... with OBD	ALB77
1/2" Spacing, Deflected Bars, 38°	ALB80
... with OBD	ALB87
3/4" Spacing, Deflected Bars, 38°	ALB90
... with OBD	ALB97

Margin style (optional)

Narrow Flange (3/8")	-A
Rounded Edge (13/16")	-B
Flat Flange (1")	-E
Standard Floor Frame (1")	-F
Narrow Floor Frame (3/16")	-G
Beveled Flange (1")	-R
T-Bar Margin (1")	-T

New Options Dimension type

List Size (default)	-LS
Exact Neck Size	-NS
Exact Face Size	-FS

Fastening (optional)

No Fastening	-1
Spring Clips	-2
Screw Fastening	-3
Concealed Mounting	-4
Removable Core Spring Clips	-5
Adhesive Mounting	-6

Finish

(/W) Default is White
see chart for more

Height

In Inches

Length

In Inches

Extended face panel

1212	12" x 12
1224	12" x 24"
2412	24" x 12"
2424	24" x 24"
2448	24" x 48"
4824	48" x 24"
2020	20" x 20"

Extended face option

- X Steel panel options
- Y Aluminum panel options

Options

- CW Ceiling Security Wire
- V Vertical Bars
- L Air Equalizing Grid
- RF Reinforced for Floor
- RM Removable Core
- DS Debris (bird) Screen
- IS Insect Screen
- GK Flange Gasket
- GN Neck Gasket
- SB Sheet-Rock Bracket

New Option

Security feature must be specified for all ceiling applications using -RM option

New Option



Ceiling Diffusers

3 Cone Square Diffusers - DF3 Series



- *All models have removable core
- *Locks are very easy to manipulate
- *Integrated Earthquake Tabs

Model #	Description	Face Size	Neck Size	Ctn Qty	Skid Qty	List \$/unit
DF3	Stamped Steel, Fixed Pattern	12"x12"	6"-8"D	12	432	40
		24"x24"	6"-8"-10"-12"-14"D	2	72	42
DF3D	Stamped Steel, Fixed Pattern Default 2" collar and one-per-box packaging	24"x24"	6"-8"-10"-12"D	1	60	45
DF3I	Stamped Steel, Fixed Pattern, Pre-Scored R6 Insulated Back	24"x24"	Any Size Up To 12"D	2	72	58
DA3	Stamped Steel, Adjustable Pattern	12"x12"	6"-8"D	12	432	44
		24"x24"	6"-8"-10"-12"-14"D	2	72	54

4 Cone Square Diffusers - DF4 Series



- *All models have removable core
- *Locks are very easy to manipulate
- *Integrated Earthquake Tabs

Model #	Description	Face Size	Neck Size	Ctn Qty	Skid Qty	List \$/unit
DF4	Stamped Steel, Fixed Pattern	24"x24"	6"-8"-10"-12"-14"D	2	72	42
DF4D	Stamped Steel, Fixed Pattern Default 2" collar and one-per-box packaging	24"x24"	6"-8"-10"-12"D	1	60	45
DF4I	Stamped Steel, Fixed Pattern, Pre-Scored R6 Insulated Back	24"x24"	Any Size Up To 12"D	2	72	58
DA4	Stamped Steel, Adjustable Pattern	24"x24"	6"-8"-10"-12"-14"D	2	72	54

DF3 & DF4 Options

Option	Description	Applies To	List Adder (\$/unit)
-R4	R4.2 Taped Insulation	24"x24" Diffusers	10
-R6	R6 Taped Insulation	24"x24" Diffusers	15
-S	Single Box (1 diffuser per box)	24"x24" Diffusers	0.50
-W1	1 Way (3 baffles)	DF3, DF3I, DF4 & DF4I	21
-WC	2 Way Corner (2 adjacent baffles)	DF3, DF3I, DF4 & DF4I	14
-WO	2 Way Opposed (2 non-adjacent baffles)	DF3, DF3I, DF4 & DF4I	14
-W3	3 Way (1 baffle)	DF3, DF3I, DF4 & DF4I	7
/W	Powder Coated White (default)	All	-
Other Finishes	See Finish Chart	All	19 + Setup

HOW TO ORDER DF3 & DF4 SERIES

DF3-R4-S-W3 2408 /W

MODEL SERIES	
3 Cone Fixed	DF3
3 Cone Fixed, 2" Neck, ... Single-Box	DF3D
3 Cone Adjustable	DA3
4 Cone Fixed	DF4
4 Cone Fixed, 2" Neck, ... Single-Box	DF4D
4 Cone Adjustable	DA4

INSULATION (OPTIONAL)	
Default is uninsulated	
R4.2 Taped Insulation	-R4
R6 Taped Insulation	-R6

PACKAGING (OPTIONAL)	
Default is 2 per box	
Single Box	-S

FINISH (OPTIONAL)	
Default is White (/W)	
See chart for more	

NECK DIAMETER	
In Inches	
06-08-10-12-14"	

FACE DIMENSIONS	
12" x 12"	12
24" x 24"	24

DIRECTION (OPTIONAL)	
Default is 4 Way	
1 Way	-W1
2 Way Corner	-WC
2 Way Opposed	-WO
3 Way	-W3

HOW TO ORDER DF3I & DF4I

DF3I-S /W

MODEL SERIES	
3 Cone	DF3I
4 Cone	DF4I

PACKAGING (OPTIONAL)	
Default is 2 per box	
Single Box	-S

FINISH (OPTIONAL)	
Default is White (/W)	
See chart for more	

Architectural Plaque Diffusers - ISO Series



- *New improved design
- *All models have removable core
- *Locks are very easy to manipulate
- *Integrated Earthquake Tabs
- *Ideal for heating & air conditioning
- *Clean look in the ceiling

GREAT FEATURE !

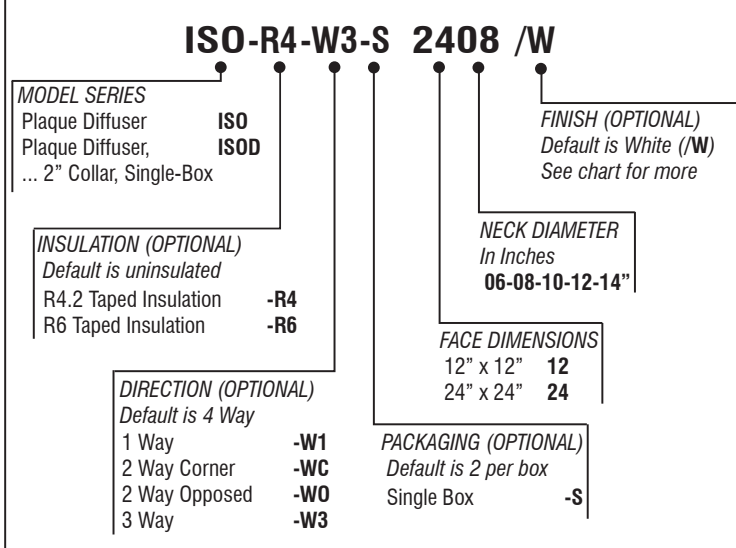
Check our exclusive NBI magnetic baffles for ISO series (see accessories)

Model #	Description	Face Size	Neck Size	Ctn Qty	Skid Qty	List \$/unit
ISO	Standard Steel Plaque Diffuser	12"x12"	6"-8"D	12	432	40
		24"x24"	6"-8"-10"-12"-14"D	2	72	44
ISOD	Stamped Steel, 2" high collar, individual box	24"x24"	6"-8"-10"-12"D	1	60	47
ISOI	Stamped Steel, Pre-Scored R6 Insulated Back	24"x24"	Any Size Up To 12"D	2	72	59

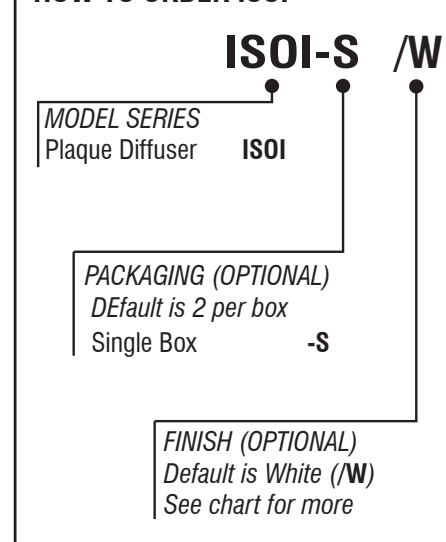
ISO Series Options

Option	Description	Applies To	List Adder (\$/unit)
-R4	R4.2 Taped Insulation	24"x24" ISO, ISOH, ISOD & ISOHD	10
-R6	R6 Taped Insulation	24"x24" ISO, ISOH, ISOD & ISOHD	15
-S	Single Box (1 diffuser per box)	24"x24" ISO, ISOH, ISOI & ISOHI	0.50
-W1	1 Way (3 baffles)	All	21
-WC	2 Way Corner (2 adjacent baffles)	All	14
-WO	2 Way Opposed (2 non-adjacent baffles)	All	14
-W3	3 Way (1 baffle)	All	7
/W	Powder Coated White (default)	All	-
Other Finishes	See Finish Chart	All	19 + Setup

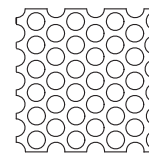
HOW TO ORDER ISO SERIES



HOW TO ORDER ISOI



Perforated Face Diffusers - PS Series

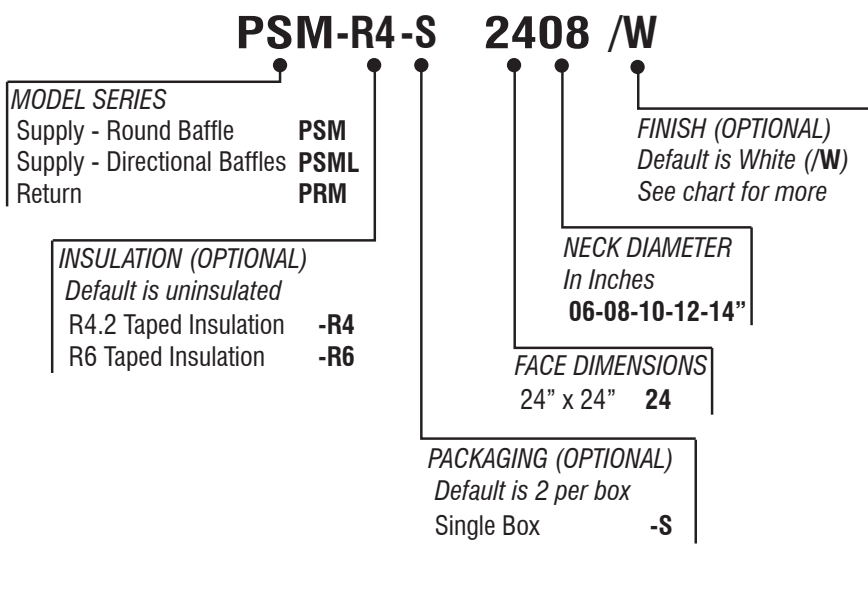


Model #	Description	Face Size	Neck Size	Ctn Qty	Skid Qty	List \$/unit
PSM	Metal Back, Round Neck, Round Baffle	24"x24"	6"-8"-10"-12"-14"D	2	72	39
PSML	Metal Back, Round Neck, Directional Louvered Baffles	24"x24"	6"-8"-10"-12"-14"D	2	72	42
PSI	Pre-Scored R6 Insulated Back, Round Baffle	24"x24"	Any Size Up To 14"D	4	112	39
PSIL	Pre-Scored R6 Insulated Back, Directional Louvered Baffles	24"x24"	Any Size Up To 14"D	4	112	42
PST	Metal Back, Square Neck, Round Baffle	24"x24"	22"x22"	6	216	30
PSTL	Metal Back, Square Neck, Directional Louvered Baffles	24"x24"	22"x22"	6	216	33

PS Series Options

Option	Description	Applies To	List Adder (\$/unit)
-R4	R4.2 Taped Insulation	PSM, PSML	10
-R6	R6 Taped Insulation	PSM, PSML	15
/W	Powder Coated White (default)	All	-
Other Finishes	See Finish Chart	All	19 + Setup

HOW TO ORDER PSM SERIES



HOW TO ORDER PST SERIES

PST /W

<i>MODEL SERIES</i>		
Supply - Round Baffle	PST	<i>FINISH (OPTIONAL)</i>
Supply - Directional Baffles	PSTL	<i>Default is White (/W)</i>
Return	PRT	<i>See chart for more</i>

HOW TO ORDER PSI SERIES

PSI /W

<i>MODEL SERIES</i>		
Supply - Round Baffle	PSI	<i>FINISH (OPTIONAL)</i>
Supply - Directional Baffles	PSIL	<i>Default is White (/W)</i>
Return	PRI	<i>See chart for more</i>

Aluminum Louvered Face - Square Neck - DLA Series



- *Easy Core Removal
- *Surface Mount or T-bar Lay-In
- *Integrated Earthquake Tabs
- *N9 matching OBD can be purchased separately

DLA All Aluminum, Square Neck

DLA9 All Aluminum, Square Neck, Aluminum OBD

Model #	Face Size	Neck Size	Ctn Qty	Skid Qty	List \$/unit
DLA 0606	12"x12"	6"x6"	8	576	36
DLA 0909	15"x15"	9"x9"	4	360	42
DLA 1212	18"x18"	12"x12"	4	144	56
DLA 1515	21"x21"	15"x15"	4	144	70
DLA 1818	24"x24"	18"x18"	4	144	80
DLA9 0606	12"x12"	6"x6"	4	288	48
DLA9 0909	15"x15"	9"x9"	2	180	60
DLA9 1212	18"x18"	12"x12"	4	112	74
DLA9 1515	21"x21"	15"x15"	4	112	85
DLA9 1818	24"x24"	18"x18"	4	112	110

DLA-HI All Aluminum, Square Neck, High Induction Vanes

DLA9-HI All Aluminum, Square Neck, High Induction Vanes, Aluminum OBD

Model #	Face Size	Neck Size	Ctn Qty	Skid Qty	List \$/unit
DLA-HI 0606	12"x12"	6"x6"	8	576	42
DLA-HI 0909	15"x15"	9"x9"	4	360	49
DLA-HI 1212	18"x18"	12"x12"	4	144	64
DLA-HI 1515	21"x21"	15"x15"	4	144	79
DLA-HI 1818	24"x24"	18"x18"	4	144	90
DLA9-HI 0606	12"x12"	6"x6"	4	288	54
DLA9-HI 0909	15"x15"	9"x9"	2	180	67
DLA9-HI 1212	18"x18"	12"x12"	4	112	82
DLA9-HI 1515	21"x21"	15"x15"	4	112	94
DLA9-HI 1818	24"x24"	18"x18"	4	112	120

Aluminum Louvered Face - Round Neck - DLAM Series

- *Drawn collar
- *Entirely Powder Coated
- *Easy core removal
- *Integrated Earthquake Tabs
- *Surface Mount or T-bar Lay-In
- *N4 and N5 dampers can be purchased separately



DLAM
Aluminum Face, Round Neck

	6"x6"	9"x9"	12"x12"	15"x15"	18"x18"
Round Neck 6"	54	62	80	98	112
Round Neck 8"		62	80	98	112
Round Neck 10"			80	98	112
Round Neck 12"			80	98	112
Round Neck 14"				98	112
Round Neck 16"					112

Square Neck

	6"x6"	9"x9"	12"x12"	15"x15"	18"x18"
Round Neck 6"	71	79	97	115	129
Round Neck 8"		80	98	116	130
Round Neck 10"			100	118	132
Round Neck 12"			103	121	135
Round Neck 14"				126	140

Square Neck

DLAM4
**Aluminum Face, Round Neck,
Radial Opposed Blade Damper**

DLAM5
**Aluminum Face, Round Neck,
Radial Sliding Blade Damper**

	6"x6"	9"x9"	12"x12"	15"x15"	18"x18"
Round Neck 6"	66	74	92	110	124
Round Neck 8"		75	93	111	125
Round Neck 10"			95	113	127
Round Neck 12"			98	116	130

Square Neck

	6"x6"	9"x9"	12"x12"	15"x15"	18"x18"
Round Neck 6"	60	69	88	107	122
Round Neck 8"		69	88	107	122
Round Neck 10"			88	107	122
Round Neck 12"			88	107	122
Round Neck 14"				107	122
Round Neck 16"					122

Square Neck

DLAM-HI
**Aluminum Face, Round Neck,
High Induction Vanes**

DLAM4-HI

**Aluminum Face, Round Neck,
High Induction Vanes,
Radial Opposed Blade Damper**

	6"x6"	9"x9"	12"x12"	15"x15"	18"x18"
Round Neck	6"	77	86	105	124
	8"		87	106	125
	10"			108	127
	12"			111	130
	14"				135

Square Neck

	6"x6"	9"x9"	12"x12"	15"x15"	18"x18"
Round Neck	6"	72	81	100	119
	8"		82	101	120
	10"			103	122
	12"			106	125

Square Neck

DLAM5-HI

**Aluminum Face, Round Neck,
High Induction Vanes,
Radial Sliding Blade Damper**

Options Cost - DLAM Series

Option	Description	Applies To	List Adder (\$/unit)
-F	Flat Frame	All	-
-B	Beveled Frame (N/A yet)	All	-
-0	No Screw Holes (Lay-In)	All	-
-3	Screw Holes in Face	-F	-
-4	Concealed Screw Holes in Neck	All	-
-W1	1 Way Pattern	All	-
-WC	2 Way Corner Pattern	All	-
-WO	2 Way Opposed Pattern	All	-
-W3	3 Way Pattern	All	-
-W4	4 Way Pattern (default)	All	-
-R4	R4 Insulation	All	10
-R6	R6 Insulation	18"x18" (24"x24" Face)	15
/W	Powder Coated White (default)	All	-
/M	Mill Finish	All	-
Other Finishes	See Finish Chart	All	30% + Setup

HOW TO ORDER DLAM SERIES

DLAM-F-0-W4-R4 1818 08 /W

MODEL SERIES		FINISH (OPTIONAL)	
Round Neck, No Damper	DLAM	Default is White (/W)	
With N4 OBD	DLAM4	See chart for more	
With N5 Radial Damper	DLAM5		
Induction Vanes	DLAM-HI		
Induction Vanes, N4 OBD	DLAM4-HI		
Induction Vanes, N5 Damper	DLAM5-HI		
Adjustable Pattern	DLAAM		
Adjustable Pattern, N4 OBD	DLAAM4		
Adjustable Pattern, N5 Damper	DLAAM5		
Adjustable Pattern, Induction Vanes	DLAAM-HI		
Adjustable Pattern, Induction Vanes and N4 OBD	DLAAM4-HI		
Adjustable Pattern, Induction Vanes and N5 Radial Damper	DLAAM5-HI		

BORDER TYPE (OPTIONAL)		ROUND NECK DIAMETER	
Default is flat frame		6" 06	
Flat Frame	-F	8" 08	
Beveled Frame	-B	10" 10	
		12" 12	
		14" 14	
		16" 16	

MOUNTING (OPTIONAL)		SQUARE NECK DIMENSIONS	
Default is Lay-In		6" x 6" 0606	
Lay-In	-0	9" x 9" 0909	
Screw Holes	-3	12" x 12" 1212	
Concealed	-4	15" x 15" 1515	
		18" x 18" 1818	

INSULATION (OPTIONAL)	
Default is uninsulated	
R4.2 Insulation	-R4
R6 Insulation	-R6

DIRECTION (OPTIONAL)	
Default is 4 Way	
1 Way	-W1
2 Way Corner	-WC
2 Way Opposed	-WO
3 Way	-W3

Aluminum Louvered Face - R6 Insulated Back -DLAI Series

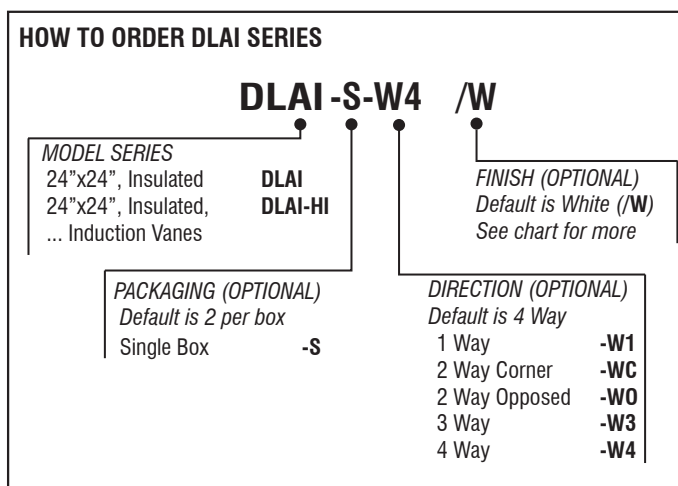
- *All Aluminum
- *Easy core removal
- *Pre-scored for 6"-14" Collars



Model #	Description	Face Size	Ctn Qty	Skid Qty	List \$/unit
DLAI	R6 Insulated	24"x24"	2	72	95
DLAI-HI	R6 Insulated, High Induction Vanes	24"x24"	2	72	105

Options

Option	Description	List Adder (\$/unit)
-W1	1 Way Pattern	-
-WC	2 Way Corner Pattern	-
-WO	2 Way Opposed Pattern	-
-W3	3 Way Pattern	-
-W4	4 Way Pattern (default)	-
-S	Single Box (1 per box)	0.5
/W	Powder Coated White (default)	-
/M	Mill Finish	-
Other Finishes	See Finish Chart	25% + Setup



Aluminum Adjustable Round Diffusers - DCG Series



- *New Product
- *Core is fully adjustable
- *High quality construction and finish
- *Available in Imperial and Metric

DCG - Imperial

Model #	Neck Size	Ctn Qty	Skid Qty	List \$/unit
DCG 06	6"	4	60	111
DCG 08	8"	5	40	126
DCG 10	10"	5	30	166
DCG 12	12"	1	36	257
DCG 14	14"	1	18	271
DCG 16	16"	1	18	311
DCG 18	18"	1	8	406
DCG 20	20"	1	8	469

DCG - Metric

Model #	Neck Size	Ctn Qty	Skid Qty	List \$/unit
DCG 160	160 mm	5	75	91
DCG 200	200 mm	5	40	126
DCG 250	250 mm	5	30	166
DCG 315	315 mm	3	21	206
DCG 355	355 mm	1	18	271
DCG 400	400 mm	1	18	311
DCG 450	450 mm	1	8	406
DCG 500	500 mm	1	8	469

DCG Options

Option	Description	List Adder (\$/unit)
/W	Powder Coated White (default)	-
Other Finishes	See Finish Chart	19 + Setup

HOW TO ORDER DCG ROUND DIFFUSERS

DCG 08																			
MODEL SERIES Fully Adjustable Aluminum DCG	ROUND NECK <table style="width: 100%; border-collapse: collapse;"> <thead> <tr> <th style="text-align: left;">Imperial</th> <th style="text-align: left;">Metric</th> </tr> </thead> <tbody> <tr> <td>6" 06</td> <td>160 mm 160</td> </tr> <tr> <td>8" 08</td> <td>200 mm 200</td> </tr> <tr> <td>10" 10</td> <td>250 mm 250</td> </tr> <tr> <td>12" 12</td> <td>315 mm 315</td> </tr> <tr> <td>14" 14</td> <td>355 mm 355</td> </tr> <tr> <td>16" 16</td> <td>400 mm 400</td> </tr> <tr> <td>18" 18</td> <td>450 mm 450</td> </tr> <tr> <td>20" 20</td> <td>500 mm 500</td> </tr> </tbody> </table>	Imperial	Metric	6" 06	160 mm 160	8" 08	200 mm 200	10" 10	250 mm 250	12" 12	315 mm 315	14" 14	355 mm 355	16" 16	400 mm 400	18" 18	450 mm 450	20" 20	500 mm 500
Imperial	Metric																		
6" 06	160 mm 160																		
8" 08	200 mm 200																		
10" 10	250 mm 250																		
12" 12	315 mm 315																		
14" 14	355 mm 355																		
16" 16	400 mm 400																		
18" 18	450 mm 450																		
20" 20	500 mm 500																		

Ceiling Diffusers and Returns Accessories

N4 Radial Opposed Blade Damper

Model #	Neck Size	Ctn Qty	Skid Qty	List \$/unit
N4 06	6"	30	1620	17
N4 08	8"	30	1620	18
N4 10	10"	15	810	20
N4 12	12"	10	540	23
N4 14	14"	5	270	28



PF Plaster Frame

Model #	Ctn Qty	Skid Qty	List \$/unit
PF 1212	5	540	25
PF 2412	12	200	28
PF 2424	6	100	30
PF 4824	6	50	90

N5 Radial Sliding Blade Damper

Model #	Neck Size	Ctn Qty	Skid Qty	List \$/unit
N5 06	6"	30	1620	11
N5 08	8"	30	1620	12
N5 10	10"	15	810	14
N5 12	12"	10	540	16



NBD Black Pie Shape Baffle for Round Neck

Model #	Neck Size	List \$/unit
NBD 06	6"	7
NBD 08	8"	7
NBD 10	10"	7
NBD 12	12"	7
NBD 14	14"	7

N9 Aluminum Square OBD

Model #	Neck Size	Ctn Qty	Skid Qty	List \$/unit
N9 0606	6"x6"	24	3456	20
N9 0909	9"x9"	6	864	26
N9 1212	12"x12"	6	864	36
N9 1515	15"x15"	6	486	42
N9 1818	18"x18"	7	252	48

NBI Magnetic Baffle for Plaque Diffusers

Model #	For Products	List \$/unit
NBI 12	12"x12" ISO & ISOH	7
NBI 24	24"x24" ISO, ISOI, ISOH & ISOHI	7



NR6MFG Molded Fiberglass Plenum, R6 Insulation

Model #	Inside Depth	Ctn Qty	Skid Qty	List \$/unit
NR6MFG 3.25	3.25"	-	200	14
NR6MFG 4	4"	-	200	15

... Ceiling Diffusers and Returns Accessories

NBOX Extra Diffuser Boxes (Box Only)

Model	Description	Applies To	Ctn Qty	List \$/unit
NBOX_DS	Standard Diffuser Single Box	DF3, DF3I, DF4, DF4I, ISO, ISOI, DLAI, PSM, PSML, PRM, ERM, ERI	1	6
NBOX_DS2	2" Collar Diffuser Single Box	DF3D, DF4D, ISOD	1	7
NBOX_DD	Standard Diffuser Double Box	DF3, DF3I, DF4, DF4I, ISO, ISOI, DLAI, PSM, PSML, PSIL, ERM, ERI	2	7
NBOX_PSI	Insulated Perf Diffusers Box	PSI, PSIL, PRI	4	8

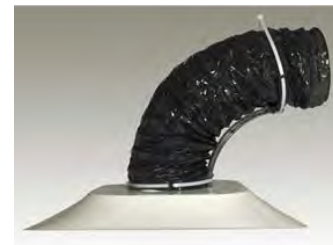
NTSR Powder Coated White Square-to-Round Transition

Square Neck Size	Round Neck Sizes	Ctn Qty	Skid Qty	List \$/unit
6"x6"	6"D	16	1792	18
9"x9"	6"-8"D	4	448	20
10"x10"	6"-8"-10"D	4	448	22
12"x12"	6"-8"-10"-12"D	4	448	24
15"x15"	6"-8"-10"-12"-14"D	4	252	28
18"x18"	6"-8"-10"-12"-14"-16"-18"D	4	112	32
22"x22"	6"-8"-10"-12"-14"-16"-18"D	4	112	40

FLEXRIGHT FlexRight Energy Efficiency Product - Flexible Duct Support Brace

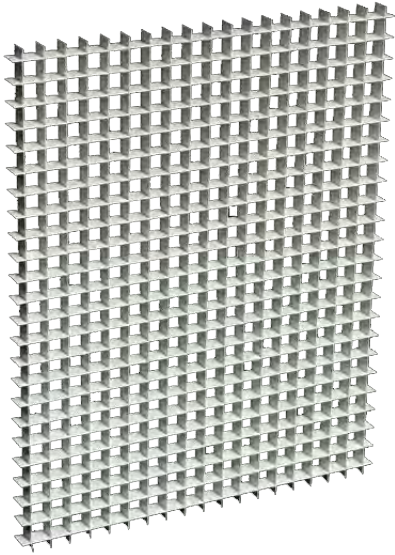


GREAT FEATURES!
One model fits all flexible duct sizes
Avoids energy loss caused by kinks



Model #	Ctn Qty	Skid Qty	List \$/unit
FLEXRIGHT	25	1575	7.5

***Must be ordered in multiples of carton quantity**



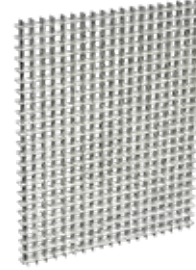
Ceiling Returns



Eggcrate Lay-In Returns - ER Series

Aluminum Eggcrate Core

ERN Powder Coated White, 1/2" x 1/2" x 1/2"
 ERN /M Mill Finish, 1/2" x 1/2" x 1/2"



Model #	Dimension	Ctn Qty	Skid Qty	List \$/unit
ERN 4824	48"x24"	10	300	50
ERN 4812	48"x12"	20	600	28
ERN 4808	48"x8"	30	900	25
ERN 4806	48"x6"	40	1200	18
ERN 2424	24"x24"	20	600	28
ERN 2412	24"x12"	40	1200	14
ERN 2408	24"x8"	60	1800	13
ERN 2406	24"x6"	80	2400	10
ERN 1212	12"x12"	80	2400	8

- *Quality gauge and paint
- *Standard dimensions in stock
- *Any even dimension up to 48"x24" available (use **larger** listed dimension for pricing)
- *Finish: Default is White
- *Mill Finish (ERN /M): take off 10%

ERN1 Powder Coated White, 1/2" x 1/2" x 1"
 ERN1 /M Mill Finish, 1/2" x 1/2" x 1"

Model #	Dimension	Ctn Qty	Skid Qty	List \$/unit
ERN1 4824	48"x24"	-	-	240
ERN1 2424	24"x24"	-	-	150

ERN111 Powder Coated White, 1" x 1" x 1"
 ERN111 /M Mill Finish, 1" x 1" x 1"

Model #	Dimension	Ctn Qty	Skid Qty	List \$/unit
ERN111 4824	48"x24"	-	-	115
ERN111 2424	24"x24"	-	-	70

- *Quality gauge and paint
- * ERN1 and ERN111 only available for the most standard dimensions (48"x24" and 24"x24")
- *Finish: Default is White
- *Mill Finish (ERN1 /M and ERN111 /M): take off 10%

Plastic Eggcrate Core

ERN-P White Plastic, 1/2" x 1/2" x 3/8"

- *Standard dimensions in stock
- *Any even dimension up to 48"x24" available (use **larger** listed dimension for pricing)

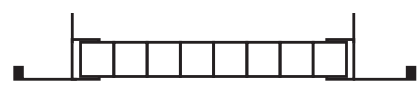
Model #	Dimension	Ctn Qty	Skid Qty	List \$/unit
ERN-P 4824	48"x24"	15	300	20
ERN-P 4812	48"x12"	30	600	10
ERN-P 4808	48"x8"	40	800	10
ERN-P 4806	48"x6"	60	1200	8
ERN-P 2424	24"x24"	30	600	10
ERN-P 2412	24"x12"	60	1200	7
ERN-P 2408	24"x8"	90	1800	6
ERN-P 2406	24"x6"	120	2400	5
ERN-P 1212	12"x12"	120	2400	4

... Eggcrate Lay-In Returns - ER Series

ERT All Aluminum, 1" Frame, Square Neck
ERT7 All Aluminum, 1" Frame, Square Neck, With N7 OBD



Model #	Neck	Ctn Qty	Skid Qty	List \$/unit
ERT 4824	46"x22"	4	80	112
ERT 4812	46"x10"	16	288	57
ERT 2424	22"x22"	8	288	53
ERT 2412	22"x10"	16	576	33
ERT 1212	10"x10"	32	1152	21
ERT7 4824	46"x22"	3	54	236
ERT7 4812	46"x10"	6	108	116
ERT7 2424	22"x22"	3	108	107
ERT7 2412	22"x10"	6	216	59
ERT7 1212	10"x10"	3	336	36

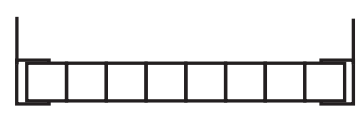


*Any even dimension up to 48"x24" available (use **larger** listed dimension for pricing)

ERU All Aluminum, Narrow Frame, Square Neck
ERU7 All Aluminum, Narrow Frame, Square Neck, With N7 OBD



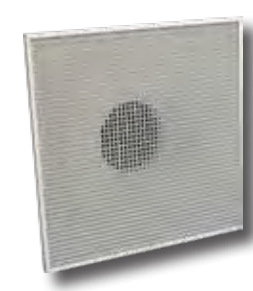
Model #	Neck	Ctn Qty	Skid Qty	List \$/unit
ERU 4824	48"x24"	8	144	112
ERU 4812	48"x12"	16	288	57
ERU 2424	24"x24"	8	288	53
ERU 2412	24"x12"	16	576	33
ERU 1212	12"x12"	32	1152	21
ERU7 4824	48"x24"	3	54	236
ERU7 4812	48"x12"	6	108	116
ERU7 2424	24"x24"	3	108	107
ERU7 2412	24"x12"	6	216	59
ERU7 1212	12"x12"	12	432	36



*Any even dimension up to 48"x24" available (use **larger** listed dimension for pricing)

ERM Aluminum Face, Steel Back with Round Neck

Model #	Face Size	Neck Size	Ctn Qty	Skid Qty	List \$/unit
ERM	12"x12"	6"-8"D	12	432	43
	24"x24"	6"-8"-10"-12"-14"D	2	72	65



*Economical! Save on cost and labour compared to square neck + transition.

... Eggcrate Lay-In Returns - ER Series

ERI Aluminum Face, R6 Molded Fiberglass Back, Pre-Scored for Collars 6"-14"

Model #	Face Size	Neck Size	Ctn Qty	Skid Qty	List \$/unit
ERI	24"x24"	Any Size Up To 14"D	2	72	65

ERTF Filter Return, Aluminum Face, Square Neck

ERMF Filter Return, Aluminum Face, Round Neck

ERIF Filter Return, Aluminum Face, R6 Molded Fiberglass Back, Pre-Scored for Collars 6"-14"

*All Have Support for 20"x20", 1" Filter (Filter Supplied by Others)

Model #	Face Size	Neck Size	Ctn Qty	Skid Qty	List \$/unit
ERTF	24"x24"	20"x20"	3	108	72
ERMF	24"x24"	6"-8"-10"-12"-14"D	2	72	78
ERIF	24"x24"	Any Size Up To 14"D	2	72	78



ER Series Options

Option	Description	Applies To	List Adder
-R4	R4.2 Taped Insulation	24"x24" ERM	10
-R6	R6 Taped Insulation	24"x24" ERM	15
/W	Powder Coated White (Default)	All	-
/M	Mill Finish (Except ERN, ERN1 & ERN111)	All	-
Other Finishes	See Finish Chart	All	20% + Setup

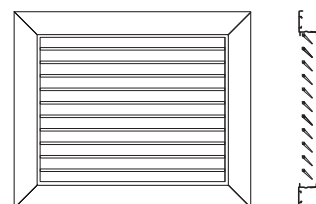
45 Degree Grille Face Returns - GRT Series

- GRT Aluminum Lay-In Return Grille
- GRT7 Aluminum Lay-In Return Grille with N7 OBD



*Default White (/W) or Mill Finish (/M)
 *Other finishes: add 15% + setup (see finish chart)

Model #	Face Size	Neck Size	Ctn Qty	Skid Qty	List \$/unit
GRT 1212	12"x12"	10"x10"	40	1440	25
GRT 2412	24"x12"	22"x10"	20	720	45
GRT 2424	24"x24"	22"x22"	10	360	65
GRT 4812	48"x12"	46"x10"	20	360	85
GRT 4824	48"x24"	46"x22"	10	180	160
GRT7 1212	12"x12"	10"x10"	12	432	45
GRT7 2412	24"x12"	22"x10"	6	216	75
GRT7 2424	24"x24"	22"x22"	3	108	135
GRT7 4812	48"x12"	46"x10"	6	108	165
GRT7 4824	48"x24"	46"x22"	3	54	325



Lanced Face Returns - LR Series

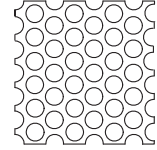
- LRTF Filter Return, Square Neck
- LRFM Filter Return, Round Neck
- LRIF Filter Return, R6 Molded Fiberglass Back Pre-Scored for Collars 6"-14"



*Stamped Steel, 40 Degree Fins, 1/2" Spaced
 *All Have Support for 20"x20", 1" Filter (Filter Supplied by Others)

Model #	Face Size	Neck Size	Ctn Qty	Skid Qty	List \$/unit
LRTF	24"x24"	20"x20"	3	108	56
LRFM	24"x24"	6"-8"-10"-12"-14"D	2	72	65
LRIF	24"x24"	Any Size Up To 14"D	2	72	65

Perforated Face Returns - PR Series



PRN Perforated Face Only

Model #	Face	Neck	Ctn Qty	Skid Qty	List \$/unit
PRN 2424	24"x24"	-	12	336	19
PRN 2412	24"x12"	-	24	672	16
PRN 1212	12"x12"	-	48	1344	12

PRT Square Neck

PRT7 Square Neck with N7 OBD

Model #	Face	Neck	Ctn Qty	Skid Qty	List \$/unit
PRT 2424	24"x24"	22"x22"	6	216	30
PRT 2412	24"x12"	22"x10"	12	432	25
PRT 1212	12"x12"	10"x10"	24	864	20
PRT7 2424	24"x24"	22"x22"			84
PRT7 2412	24"x12"	22"x10"			51
PRT7 1212	12"x12"	10"x10"			35

PRM Metal Back, Round Neck

PRI Pre-Scored R6 Insulated Back

Model #	Face Size	Neck Size	Ctn Qty	Skid Qty	List \$/unit
PRM	12"x12"	6"-8"D	12	432	30
	24"x24"	6"-8"-10"-12"-14"D	2	72	38
PRI	24"x24"	Any Size Up To 14"D	4	112	38

How To Order: see PS Series in Ceiling Diffusers section

PRTF Filter Return, Square Neck

PRMF Filter Return, Round Neck

PRIF Filter Return, R6 Molded Fiberglass Back Pre-Scored for Collars 6"-14"

*All Have Support for 20"x20", 1" Filter (Filter Supplied by Others)



Model #	Face Size	Neck Size	Ctn Qty	Skid Qty	List \$/unit
PRTF	24"x24"	20"x20"	3	108	58
PRMF	24"x24"	6"-8"-10"-12"-14"D	2	72	84
PRIF	24"x24"	Any Size Up To 14"D	2	72	65

PR Series Options

Option	Description	Applies To	List Adder (\$/unit)
-R4	R4.2 Taped Insulation	PRM	10
-R6	R6 Taped Insulation	PRM	15
/W	Powder Coated White (Default)	All	-
Other Finishes	See Finish Chart	All	19 + Setup



Grilles and Registers



Steel Grilles & Registers - GSA Series

- *Combines beauty and rust resistance of the aluminum frame with the rigidity of steel fins
- *Horizontal and vertical faces available for all models
- *For in-between dimensions, use larger listed dimension
- *For large grilles, use pricing software or request a quote
- *Machine setup charges apply on odd and fractional dimensions



GSA20 Steel Double Deflection Grille

Width (inches)

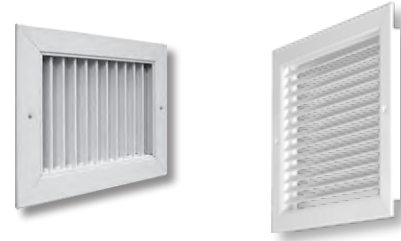
	4	6	8	10	12	14	16	18	20	22	24	26	28	30	36
4	13	14	16	17	18	19	22	23	25	26	27	29	33	37	42
5		15	16	18	19	22	23	24	26	27	28	32	37	39	46
6		16	16	18	19	22	23	25	27	28	32	37	39	43	49
8			17	20	22	23	25	27	30	34	38	40	44	48	55
10				21	23	26	28	31	35	38	41	45	49	53	64
12					26	27	31	34	39	42	45	49	53	57	71
14						32	35	39	43	46	53	56	61	66	77
16							43	49	54	56	58	62	69	74	88
18								53	58	61	65	71	78	82	100
20									64	72	76	82	88	97	114
22										79	86	94	103	108	133
24											95	103	112	121	148
26												110	121	132	166
28													128	144	184
30														154	197

GSA27 Steel Double Deflection Register with OBD

Width (inches)

	4	6	8	10	12	14	16	18	20	22	24	26	28	30	36
4	20	21	23	26	28	30	33	35	38	40	42	44	50	57	63
5		23	24	27	29	34	35	36	40	42	43	47	56	60	69
6		24	24	27	29	34	35	38	42	44	46	56	59	65	74
8			26	31	33	37	39	41	47	50	57	60	67	74	82
10				33	35	40	43	46	53	57	62	69	76	81	95
12					40	42	47	50	59	64	69	76	82	86	105
14						49	53	58	66	71	78	83	91	98	111
16							67	74	83	89	91	98	106	113	138
18								82	91	97	104	112	120	126	154
20									101	115	121	130	140	154	173
22										126	133	150	168	168	207
24											149	166	179	189	233
26												176	191	206	257
28													200	223	289
30														240	310

... Steel Grilles & Registers - GSA Series



GSA10 Steel Single Deflection Grille

GSA40 Steel Fixed 45 Degree Return Grille

		Width (inches)															
		4	6	8	10	12	14	16	18	20	22	24	26	28	30	36	
Height (inches)	4	10	10	10	10	11	12	13	15	17	18	20	21	23	25	30	
	5		10	10	11	12	13	14	16	18	19	21	23	25	27	34	
	6			11	11	12	13	14	15	17	19	20	23	24	26	29	36
	8				12	12	14	15	16	18	21	23	25	27	29	34	40
	10					13	15	16	18	21	24	25	27	29	34	37	44
	12						16	18	20	23	26	28	29	34	37	40	48
	14							20	22	26	29	32	36	39	42	45	53
	16								26	31	34	35	39	43	47	50	59
	18									35	38	39	42	45	51	56	64
	20										44	49	52	58	61	65	78
	22											50	58	64	65	72	85
	24												61	65	71	78	96
	26													71	78	85	107
	28														98	99	117
	30															101	128

GSA17 Steel Single Deflection Register with OBD

GSA47 Steel Fixed 45 Degree Register with OBD

		Width (inches)															
		4	6	8	10	12	14	16	18	20	22	24	26	28	30	36	
Height (inches)	4	16	17	17	19	21	23	24	27	29	32	35	36	41	45	51	
	5		18	18	20	22	25	26	28	32	34	36	39	44	48	57	
	6			19	19	21	23	26	27	30	34	36	38	43	46	51	60
	8				21	23	25	29	30	32	38	40	44	47	53	59	67
	10					25	27	30	33	36	42	44	48	54	60	65	75
	12						30	33	36	39	46	50	54	60	66	69	82
	14							37	40	45	53	57	61	66	72	77	87
	16								50	56	63	68	72	79	84	90	108
	18									64	71	75	81	86	93	100	119
	20										82	92	97	107	112	122	138
	22											96	106	120	130	131	159
	24												115	129	137	146	181
	26													137	148	159	197
	28														170	178	222
	30															187	240

Aluminum Grilles & Registers - GAA Series

- *Horizontal and vertical faces available for all models
- *For in-between dimensions, use larger listed dimension
- *For large grilles, use pricing software or request a quote
- *Machine setup charges apply on odd and fractional dimensions



GAA20 Aluminum Double Deflection Grille

		Width (inches)														
		4	6	8	10	12	14	16	18	20	22	24	26	28	30	36
Height (inches)	4	14	15	18	19	20	21	24	25	27	29	30	33	36	40	46
	5		17	18	20	21	24	25	26	29	30	32	35	40	42	50
	6		18	18	20	21	24	25	28	30	32	35	40	42	47	54
	8			19	22	24	25	28	30	34	37	41	43	48	53	61
	10				23	25	29	31	34	38	41	44	49	54	57	71
	12					29	30	34	37	42	46	49	54	59	63	79
	14						35	39	43	47	50	57	62	67	74	84
	16							47	54	59	61	64	68	76	81	97
	18								58	64	66	71	78	85	90	109
	20									69	78	84	89	97	107	125
	22										87	95	103	112	119	147
	24											104	112	123	133	163
	26												121	133	146	183
	28													141	159	203
	30														170	217

GAA27 Aluminum Double Deflection Register with OBD

		Width (inches)														
		4	6	8	10	12	14	16	18	20	22	24	26	28	30	36
Height (inches)	4	24	25	25	28	30	32	35	37	40	43	45	47	54	60	67
	5		25	26	29	31	36	37	38	43	45	46	50	59	63	74
	6		26	26	29	31	36	37	41	45	47	49	59	62	69	78
	8			28	33	35	39	42	44	50	54	60	63	71	78	88
	10				35	37	43	46	49	56	60	65	74	80	85	102
	12					43	45	50	53	62	68	74	80	88	92	112
	14						52	57	62	70	76	82	89	98	105	119
	16							71	79	88	95	98	104	112	121	146
	18								87	98	102	110	119	127	134	164
	20									107	121	129	138	149	164	184
	22										133	142	159	178	179	221
	24											158	176	190	201	248
	26												187	203	219	273
	28													213	237	308
	30														256	330

... Aluminum Grilles & Registers - GAA Series



GAA10 Aluminum Single Deflection Grille

GAA40 Aluminum Fixed 45 Degree Return Grille

		Width (inches)															
		4	6	8	10	12	14	16	18	20	22	24	26	28	30	36	
Height (inches)	4	11	11	11	11	12	13	14	17	19	20	22	23	25	28	34	
	5		11	11	12	13	14	15	18	20	21	23	25	28	30	37	
	6			12	12	13	14	15	17	19	21	22	25	26	29	33	39
	8				13	13	15	17	18	20	23	25	28	30	33	37	44
	10					14	17	18	20	23	26	28	30	33	37	40	48
	12						18	20	22	25	29	32	33	37	40	44	54
	14							22	24	29	32	35	39	43	46	49	57
	16								29	34	37	38	43	47	51	56	64
	18									39	42	43	46	50	56	62	70
	20										49	53	56	65	67	72	86
	22											55	65	71	72	78	93
	24												66	72	77	86	106
	26													77	86	93	118
	28														108	109	129
	30															111	141

GAA17 Aluminum Single Deflection Register with OBD

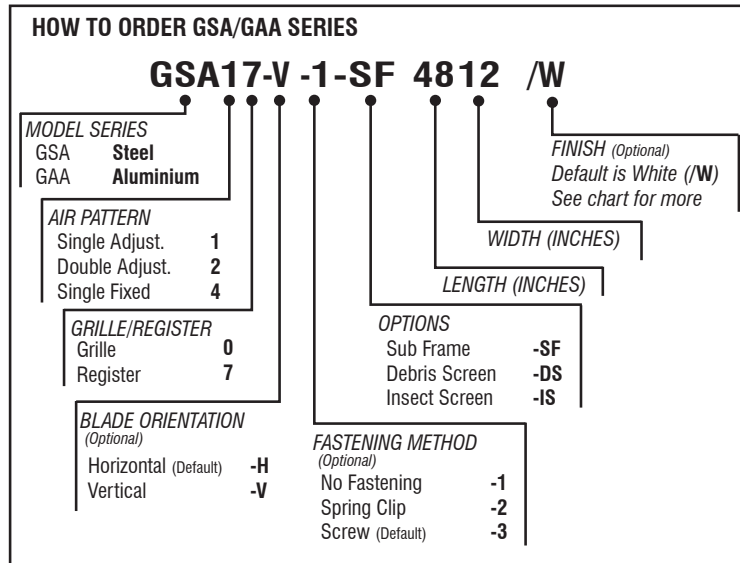
GAA47 Aluminum Fixed 45 Degree Register with OBD

		Width (inches)															
		4	6	8	10	12	14	16	18	20	22	24	26	28	30	36	
Height (inches)	4	18	18	18	20	22	24	25	29	32	34	37	38	43	48	55	
	5		19	19	21	23	26	27	30	34	36	38	41	47	51	60	
	6			20	20	22	24	27	29	32	36	38	40	45	49	55	63
	8				22	24	26	31	32	34	40	42	47	50	56	62	71
	10					26	29	32	35	38	44	47	51	57	63	68	79
	12						32	35	38	41	49	54	57	63	69	74	87
	14							39	42	48	55	60	64	70	77	81	91
	16								53	59	66	71	77	83	88	96	113
	18									68	76	79	85	91	98	106	125
	20										86	96	101	114	119	129	146
	22											101	112	127	137	138	166
	24												120	136	143	153	191
	26													143	155	166	208
	28														180	187	234
	30															197	254

GSA and GAA Series Options

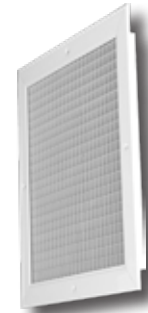
Option	Description	List Adder GSA20 GAA20	List Adder GSA27 GAA27	List Adder GSA10/40 GAA10/40	List Adder GSA17/47 GAA17/47
-H	Face Has Horizontal Fins (default)	-	-	-	-
-V	Face Has Vertical Fins	-	-	-	-
-1	No Screw Holes (default has Screw Holes)	-	-	-	-
-2	Spring Clips (default has Screw Holes)	-	-	-	-
-3	Screw Holes (default)	-	-	-	-
-SF	Supplied with Sub Frame	50%	30%	70%	40%
-IS	Insect Screen	20%	15%	25%	20%
-DS	Debris (Bird) Screen	20%	15%	25%	20%
/W	Powder Coated White (default)	-	-	-	-
/M	Mill Finish	-5%	-3%	-7%	-5%
/B	Brushed Aluminum Frame (GAA Series Only, GAA40 also has Brushed Fins)	15%	10%	15%	10%
/L	Brushed & Lacquered (GAA Series Only)	25%	20%	25%	20%
Other Finishes	See Finish Chart	15% + Setup	10% + Setup	15% + Setup	10% + Setup

Note: add up all percentage adders first, then apply to List Price.



Eggcrate Grilles & Registers - ERE Series

- *All aluminum, 1/2"x1/2"x1/2" eggcrate face
- *For in-between dimensions, use larger listed dimension
- *For large grilles, use pricing software or request a quote
- *Machine setup charges apply on odd and fractional dimensions



ERE Aluminum Eggcrate Grille

		Width (inches)														
		4	6	8	10	12	14	16	18	20	22	24	26	28	30	36
Height (inches)	4	10	10	11	12	14	15	16	17	18	19	20	21	22	23	28
	5		10	11	13	14	15	16	17	18	19	20	21	23	24	30
	6		11	12	14	14	16	17	19	20	21	22	23	24	26	32
	8			13	14	15	18	19	20	21	22	23	24	27	29	36
	10				16	17	20	22	23	24	25	26	28	30	32	40
	12					19	21	23	25	26	27	28	30	34	36	44
	14						23	25	29	30	31	32	36	38	41	49
	16							28	32	32	34	36	39	43	46	48
	18								35	36	37	40	45	48	51	62
	20									39	42	45	48	52	56	67
	22										44	50	55	60	64	79
	24											56	61	66	71	88
	26												96	102	107	132
	28													103	114	146
	30														120	157

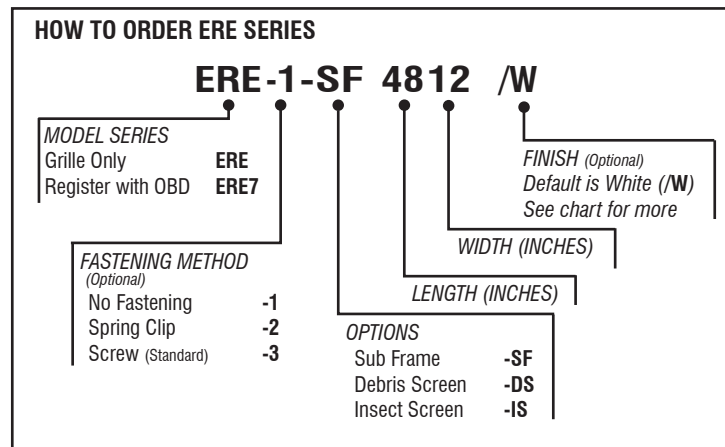
ERE7 Aluminum Eggcrate Register with OBD

		Width (inches)														
		4	6	8	10	12	14	16	18	20	22	24	26	28	30	36
Height (inches)	4	17	17	18	21	24	26	27	29	30	32	34	35	39	42	48
	5		18	19	22	24	27	28	29	31	33	34	36	41	44	52
	6		19	20	23	24	28	29	32	34	36	36	41	43	47	55
	8			22	25	26	32	33	34	37	38	41	43	49	53	62
	10				28	29	34	37	38	41	43	46	51	55	59	69
	12					33	36	39	41	45	48	51	55	62	64	76
	14						40	43	48	52	55	56	62	67	71	82
	16							52	57	60	66	68	73	78	84	95
	18								64	68	71	77	84	88	93	114
	20									73	81	86	92	99	108	121
	22										86	93	106	119	118	146
	24											95	119	126	132	165
	26												150	168	187	230
	28													181	199	260
	30														214	280

ERE Series Options

Option	Description	List Adder ERE	List Adder ERE7
-1	No Screw Holes (default has Screw Holes)	-	-
-2	Spring Clips (default has Screw Holes)	-	-
-3	Screw Holes (default)	-	-
-SF	Supplied with Sub Frame	70%	40%
-IS	Insect Screen	25%	20%
-DS	Debris (Bird) Screen	25%	20%
/W	Powder Coated White (default)	-	-
/M	Mill Finish	-10%	-5%
/B	Brushed Aluminum Frame	10%	5%
/L	Brushed & Lacquered Frame	20%	15%
Other Finishes	See Finish Chart	15% + Setup	10% + Setup

Note: add up all percentage adders first, then apply to List Price.



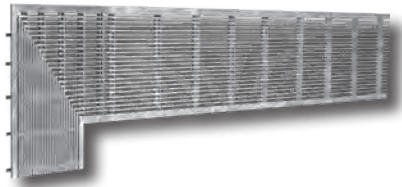
Grilles & Registers Accessories

N7 Square/Rectangle Opposed Blade Damper

- *For in-between dimensions, use larger listed dimension
- *For large grilles, use pricing software or request a quote
- *Machine setup charges apply on odd and fractional dimensions



		Width (inches)										
		4	6	8	10	12	14	16	18	20	22	24
Height (inches)	4	7	7	7	9	10	11	11	12	13	14	15
	5		8	8	9	10	12	12	12	14	15	15
	6		8	8	9	10	12	12	13	15	16	15
	8			9	11	11	14	14	14	17	17	19
	10				12	12	14	15	15	18	19	21
	12					14	15	16	16	20	22	24
	14						17	18	19	23	25	25
	16							24	25	29	34	34
	18								29	34	36	39
	20									37	43	45
	22										46	47
	24											54



Architectural Linears



Linear Slot Diffusers & Returns - ALS Series

- *All Aluminum, Available With 1/2", 3/4" and 1" Slots
- *Surface Mount or Lay-In Applications
- *Max 72" per Section, No Maximum Length
- *45 Degree Mitered Corners for Better Look



GREAT FEATURES!
Pattern Control Damper controls both Air Volume and Air Pattern
Concealed Mounting Time Saver : shipped in one piece, just clip and tighten

ALS17 Linear Slot Diffuser, 1" Slot With Pattern Control Damper

ALS27 Linear Slot Diffuser, 1/2" Slot With Pattern Control Damper

		Length (inches)											
		12	18	24	30	36	42	48	54	60	66	72	Extra 6"
Number of Slots	1	21	29	36	41	45	49	55	62	68	75	81	14
	2	32	42	53	60	67	74	81	88	95	102	109	18
	3	41	58	72	83	91	101	111	121	131	141	151	22
	4	54	74	91	104	116	127	139	151	163	175	187	29
	5	72	100	125	144	157	176	195	214	233	252	271	37
	6	86	118	147	168	186	207	227	247	267	287	307	44
	7	101	141	175	202	220	245	271	297	323	349	375	48
	8	116	163	200	232	254	281	309	337	365	393	421	55

Note: Use larger listed dimension for in-between lengths

ALS37 Linear Slot Diffuser, 3/4" Slot With Pattern Control Damper

		Length (inches)											
		12	18	24	30	36	42	48	54	60	66	72	Extra 6"
Number of Slots	1	20	27	33	37	41	45	50	56	62	68	74	13
	2	29	39	48	55	61	68	75	82	89	96	103	16
	3	38	53	65	75	83	92	101	110	119	128	137	20
	4	49	67	83	95	105	116	127	138	149	160	171	26
	5	66	91	113	131	143	160	178	196	214	232	250	34
	6	78	107	134	153	169	188	207	226	245	264	283	40
	7	92	127	158	183	200	223	247	271	295	319	343	44
	8	105	147	182	210	231	256	281	306	331	356	381	50

Note: Use larger listed dimension for in-between lengths

... Linear Slot Diffusers & Returns - ALS Series

ALS10 Linear Slot Return, 1" Slot

ALS20 Linear Slot Return, 1/2" Slot

		Length (inches)											
		12	18	24	30	36	42	48	54	60	66	72	Extra 6"
Number of Slots	1	18	25	30	35	39	42	46	52	56	62	68	12
	2	22	30	37	43	48	53	48	54	60	66	72	12
	3	24	33	42	48	52	58	52	58	64	70	77	13
	4	34	46	59	66	73	81	71	79	89	97	106	18
	5	47	66	81	94	103	115	96	108	120	132	144	24
	6	55	76	93	106	119	131	110	124	137	151	164	28
	7	61	84	106	121	132	148	115	130	144	158	173	29
	8	67	96	118	138	149	168	130	146	162	178	194	32

Note: Use larger listed dimension for in-between lengths

ALS30 Linear Slot Return, 3/4" Slot

		Length (inches)											
		12	18	24	30	36	42	48	54	60	66	72	Extra 6"
Number of Slots	1	15	21	25	29	32	35	38	43	47	52	57	10
	2	18	25	31	36	40	44	40	45	50	55	60	10
	3	21	28	36	41	44	49	43	48	53	58	64	11
	4	28	39	49	56	61	68	59	66	74	81	88	15
	5	39	55	68	78	86	96	80	90	100	110	120	20
	6	45	64	78	89	99	109	92	103	114	126	137	23
	7	50	71	87	101	111	123	96	108	120	132	144	24
	8	57	80	98	114	125	140	108	122	135	148	162	27

Note: Use larger listed dimension for in-between lengths

ALSMC1 Mitered Corner Angle for Linear Slot Diffusers and Returns, 1" Slot

ALSMC2 Mitered Corner Angle for Linear Slot Diffusers and Returns, 1/2" Slot

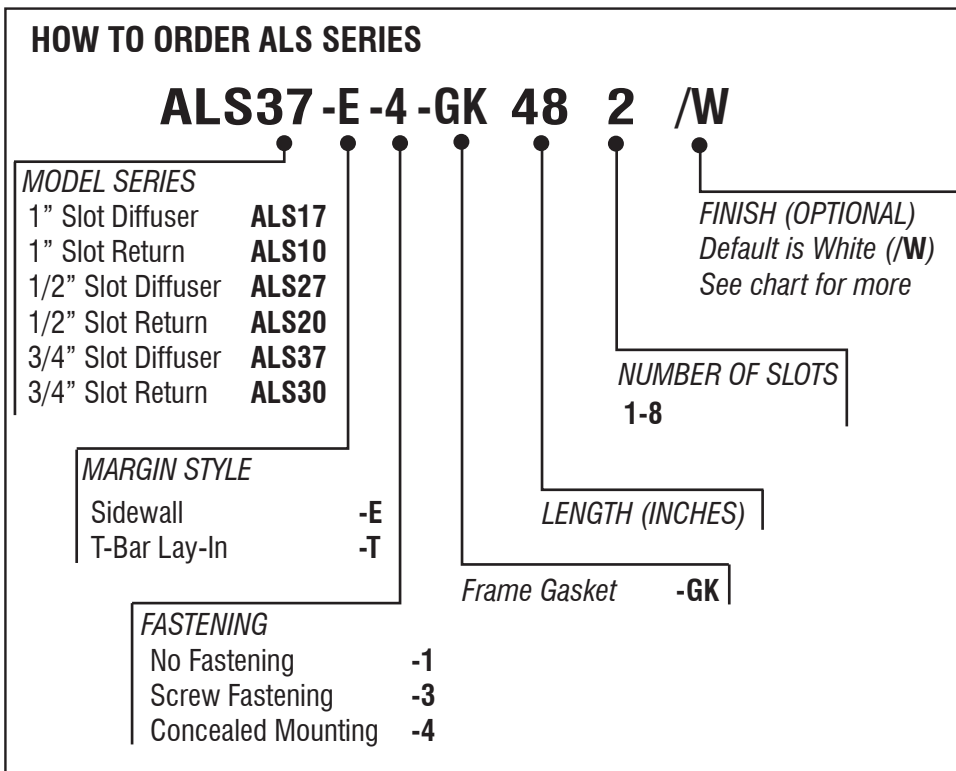
ALSMC3 Mitered Corner Angle for Linear Slot Diffusers and Returns, 3/4" Slot

# Slots	90 Degree	Other Angles
1 - 5	200	500
6 - 8	250	600

ALS Series Options

Option	Description	List Adder
-E	Surface Mount, Size by Neck	-
-T	Lay-In, Size by Face	-
-1	No Fastening (default for -T)	-
-3	Screw Fastening (N/A for -T)	-
-4	Concealed Fastening	10%
-GK	Gasket on Frame	5%
/W	Powder Coated White (default)	-
/M	Mill Finish (Raw Aluminum)	-
/B	Brushed Aluminum	15%
Other Finishes	See Finish Chart	20% + Setup

Note: add up all percentage adders first, then apply to List Price.



Plenums for Linear Slot Diffusers - ALSxPL Series

*Available with Compact (8" Height) or Higher (11" Height) design

*Made of quality 24 gauge galvalneal

GREAT FEATURE !

Perfectly fitted for ALS Slot Diffusers' Concealed Mounting

ALS1PL Compact Plenum for 1" Slot Diffusers ALS10/ALS17

ALS2PL Compact Plenum for 1/2" Slot Diffusers ALS20/ALS27

ALS3PL Compact Plenum for 3/4" Slot Diffusers ALS30/ALS37

*Compact Design (8" Height)

*Available with 4", 5", 6", 8" and 10" oval neck

		Length (inches)				
		24	36	48	60	72
Nb of Slots	1-2	51	57	64	81	115
	3-4	53	63	71	90	126
	5-6	64	81	88	103	132
	7-8	66	84	92	108	136

Note: Use larger listed dimension for in-between lengths

ALS1PLH High Plenum for 1" Slot Diffusers ALS10/ALS17

ALS2PLH High Plenum for 1/2" Slot Diffusers ALS20/ALS27

ALS3PLH High Plenum for 3/4" Slot Diffusers ALS30/ALS37

*Higher Design (11" Height)

*Available with 4", 5", 6", 8", 10" and 12" oval neck

		Length (inches)				
		24	36	48	60	72
Nb of Slots	1-2	53	65	79	87	116
	3-4	55	67	81	91	128
	5-6	68	82	99	116	136
	7-8	74	86	102	120	140

Note: Use larger listed dimension for in-between lengths

ALS1PLIN Insulated Compact Plenum for 1" Slot Diffusers ALS10/ALS17

ALS2PLIN Insulated Compact Plenum for 1/2" Slot Diffusers ALS20/ALS27

ALS3PLIN Insulated Compact Plenum for 3/4" Slot Diffusers ALS30/ALS37

*Compact Design (8" Height)

*Available with 4", 5", 6", 8" and 10" oval neck

*1/2" liner

		Length (inches)				
		24	36	48	60	72
Nb of Slots	1-2	61	75	79	99	151
	3-4	64	78	81	103	157
	5-6	89	97	131	152	182
	7-8	92	100	134	156	190

Note: Use larger listed dimension for in-between lengths

... Plenums for Linear Slot Diffusers - ALSxPL Series

- ALS1PLHIN** Insulated High Plenum for 1" Slot Diffusers ALS10/ALS17
- ALS2PLHIN** Insulated High Plenum for 1/2" Slot Diffusers ALS20/ALS27
- ALS3PLHIN** Insulated High Plenum for 3/4" Slot Diffusers ALS30/ALS37

*High Design (11" Height)

*Available with 4", 5", 6", 8", 10" and 12" oval neck

*1/2" liner

		Length (inches)				
		24	36	48	60	72
Nb of Slots	1-2	75	91	102	120	152
	3-4	78	94	106	124	158
	5-6	99	123	147	169	194
	7-8	102	126	152	174	198

Note: Use larger listed dimension for in-between lengths

ALSPL Series Options

Option	Description	List Adder
-E	For Surface Mount ALS	-
-T	For T-Bar Lay-In ALS	-
-04	4" Oval Neck	-
-05	5" Oval Neck	-
-06	6" Oval Neck	-
-08	8" Oval Neck	-
-10	10" Oval Neck	-
-12	12" Oval Neck (N/A for 8" Compact Plenums)	-

HOW TO ORDER ALSxPL SERIES

ALS1PL -E -08 48 2

MODEL SERIES

- Compact Plenum for 1" Slot **ALS1PL**
- Compact Plenum for 1/2" Slot **ALS2PL**
- Compact Plenum for 3/4" Slot **ALS3PL**
- High Plenum for 1" Slot **ALS1PLH**
- High Plenum for 1/2" Slot **ALS2PLH**
- High Plenum for 3/4" Slot **ALS3PLH**
- Insul. Compact Plenum for 1" Slot **ALS1PLIN**
- Insul. Compact Plenum for 1/2" Slot **ALS2PLIN**
- Insul. Compact Plenum for 3/4" Slot **ALS3PLIN**
- Insulated High Plenum for 1" Slot **ALS1PLHIN**
- Insulated High Plenum for 1/2" Slot **ALS2PLHIN**
- Insulated High Plenum for 3/4" Slot **ALS3PLHIN**

OF SLOTS

LENGTH (INCHES)
Max 72"

OVAL NECK SIZE

- 4" Neck **-04**
- 5" Neck **-05**
- 6" Neck **-06**
- 8" Neck **-08**
- 10" Neck **-10**
- 12" Neck **-12**

ALS MARGIN STYLE

- Sidewall **-E**
- T-Bar Lay-In **-T**

Linear Bar Grilles & Registers - ALB Series

*All Aluminum

*Max 72" per Section, No Maximum Length



ALB10 Linear Bar Grille, 1/4" Spacing, 1/8" Bars, 0 Degree (Narrow)

		Length (inches)																
		6	8	10	12	14	16	18	24	30	36	42	48	54	60	66	72	Extra 6"
Width (inches)	1.5	13	14	16	17	19	22	24	32	42	49	55	62	69	76	83	90	10
	2	14	15	17	18	21	23	26	36	48	56	64	72	80	88	96	104	11
	2.5	15	17	18	20	23	27	30	40	53	62	71	80	89	98	107	116	12
	3	17	19	20	22	25	29	32	43	59	69	79	89	99	110	120	130	13
	3.5	18	20	22	24	28	31	35	48	64	75	86	97	108	120	131	142	14
	4	19	21	24	26	30	33	37	51	69	81	93	105	117	129	142	154	15
	5	22	25	27	30	35	39	44	60	82	96	111	126	140	155	170	184	18
	6	26	29	32	35	41	47	53	71	97	114	132	149	167	184	202	219	20
	8	31	35	39	43	50	58	65	88	121	143	165	187	209	231	254	276	25
	10	37	42	46	51	60	68	77	106	145	171	198	225	252	279	305	332	29
	12	42	48	53	59	69	79	89	122	168	199	230	261	293	324	355	386	34

Note: Use larger listed dimension for in-between lengths and widths

- ALB20 Linear Bar Grille, 1/2" Spacing, 1/8" Bars, 0 Degree**
- ALB30 Linear Bar Grille, 1/2" Spacing, 3/16" Bars, 0 Degree**
- ALB40 Linear Bar Grille, 1/2" Spacing, 3/16" Bars, 15 Degree**
- ALB50 Linear Bar Grille, 1/2" Spacing, 3/16" Bars, 30 Degree**
- ALB60 Linear Bar Grille, 1/2" Spacing, 1/4" Bars, 0 Degree (Pencil Proof)**

		Length (inches)																
		6	8	10	12	14	16	18	24	30	36	42	48	54	60	66	72	Extra 6"
Width (inches)	1.5	12	13	14	15	17	19	21	28	37	43	49	55	61	67	73	80	9
	2	13	14	16	17	19	21	23	31	41	47	54	61	67	74	81	87	10
	2.5	14	15	17	18	20	23	25	33	44	51	59	66	73	81	88	95	10
	3	14	15	17	18	21	23	26	35	47	55	63	71	79	87	95	103	11
	3.5	15	17	18	20	23	26	29	38	51	59	68	76	85	94	102	111	12
	4	16	18	19	21	24	28	31	41	54	63	73	82	91	100	109	119	12
	5	18	20	21	23	27	30	34	45	61	71	82	92	103	113	124	134	14
	6	20	22	24	26	30	34	38	51	69	81	92	104	116	128	140	152	15
	8	23	26	28	31	36	41	46	61	83	98	112	127	142	156	171	186	18
	10	27	30	33	36	42	48	54	72	98	115	132	150	167	184	202	219	21
	12	30	34	38	42	48	55	61	83	112	132	152	172	192	213	233	253	24

Note: Use larger listed dimension for in-between lengths and widths

... Linear Bar Grilles & Registers - ALB Series

ALB17 Linear Bar Register with Opposed Blade Damper, 1/4" Spacing, 1/8" Bars, 0 Degree (Narrow)

		Length (inches)																
		6	8	10	12	14	16	18	24	30	36	42	48	54	60	66	72	Extra 6"
Width (inches)	3	24	27	28	31	35	41	45	60	83	97	111	125	139	154	168	182	18
	4	27	29	34	36	42	46	52	71	97	113	130	147	164	181	199	216	21
	5	31	35	38	42	49	55	62	84	115	134	155	176	196	217	238	258	25
	6	36	41	45	49	57	66	74	99	136	160	185	209	234	258	283	307	28
	8	43	49	55	60	70	81	91	123	169	200	231	262	293	323	356	386	35
	10	52	59	64	71	84	95	108	148	203	239	277	315	353	391	427	465	41
	12	59	67	74	83	97	111	125	171	235	279	322	365	410	454	497	540	48

Note: Use larger listed dimension for in-between lengths and widths

- ALB27 Linear Bar Register with Opposed Blade Damper, 1/2" Spacing, 1/8" Bars, 0 Degree**
- ALB37 Linear Bar Register with Opposed Blade Damper, 1/2" Spacing, 3/16" Bars, 0 Degree**
- ALB47 Linear Bar Register with Opposed Blade Damper, 1/2" Spacing, 3/16" Bars, 15 Degree**
- ALB57 Linear Bar Register with Opposed Blade Damper, 1/2" Spacing, 3/16" Bars, 30 Degree**
- ALB67 Linear Bar Register with Opposed Blade Damper, 1/2" Spacing, 1/4" Bars, 0 Degree (Pencil Proof)**

		Length (inches)																
		6	8	10	12	14	16	18	24	30	36	42	48	54	60	66	72	Extra 6"
Width (inches)	3	20	21	24	25	29	32	36	49	66	77	88	99	111	122	133	144	15
	4	22	25	27	29	34	39	43	57	76	88	102	115	127	140	153	167	17
	5	25	28	29	32	38	42	48	63	85	99	115	129	144	158	174	188	20
	6	28	31	34	36	42	48	53	71	97	113	129	146	162	179	196	213	21
	8	32	36	39	43	50	57	64	85	116	137	157	178	199	218	239	260	25
	10	38	42	46	50	59	67	76	101	137	161	185	210	234	258	283	307	29
	12	42	48	53	59	67	77	85	116	157	185	213	241	269	298	326	354	34

Note: Use larger listed dimension for in-between lengths and widths

- ALBMC1 Mitered Corner Angle for ALB Series, 1/4" Spacing, 1/8" Bars, 0 Degree**
- ALBMC2 Mitered Corner Angle for ALB Series, 1/2" Spacing, 1/8" Bars, 0 Degree**
- ALBMC3 Mitered Corner Angle for ALB Series, 1/2" Spacing, 3/16" Bars, 0 Degree**
- ALBMC4 Mitered Corner Angle for ALB Series, 1/2" Spacing, 3/16" Bars, 15 Degree**
- ALBMC5 Mitered Corner Angle for ALB Series, 1/2" Spacing, 3/16" Bars, 30 Degree**
- ALBMC6 Mitered Corner Angle for ALB Series, 1/2" Spacing, 1/4" Bars, 0 Degree (Pencil Proof)**

Width	90 Degree	Other Angles
2" - 3.5"	200	500
4" - 7.5"	250	600
8" - 12"	300	700

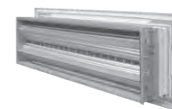
ALB Series Options

Option	Description	Restrictions	List Adder ALBx0 ALBMC	List Ad- der ALBx7
-A	Frame A (Narrow), Flange 3/8"	N/A with -3, -RM	-	-
-B	Frame B, Rounded Edge Flange 13/16"	N/A with -3, -RM	-	-
-E	Frame E, Flat Flange 1"	N/A with -RM	-	-
-F	Frame F (Floor), Flange 1"	Only with -RM, N/A with -2, -4	-	-
-G	Frame G (Floor, Narrow), Flange 3/16"	Only with -1 and -RM	10%	6%
-R	Frame R, Beveled Flange 1"	N/A with -RM	-	-
-T	Frame T (T-Bar), Flat Flange 1"	N/A with -2, -3, -4, -RM	-	-
-1	No Fastening	-	-	-
-2	Spring Clip Fastening	N/A with -F, -G	-	-
-3	Screw Fastening	N/A with -A, -B, -G	-	-
-4	Concealed Fastening	N/A with ALB1, -F, -G, Min Width 4"	10%	6%
-5	Removable Core Spring Clips	Only with -F-RM	5%	3%
-V	Vertical Bars (Parallel to Short Dimension)	Max 16" Length	5%	3%
-L	Control (Air Equalizing) Grid	Minimum Width: 4"	20%	12%
-RF	Reinforced for Floor Applications	-	15%	10%
-RM	Removable Core	Only with -F, -G	5%	3%
-GK	Gasket on Frame	-	5%	3%
/M	Mill Finish	-	-	-
/W	Powder Coated White	-	15%	9%
/A	Anodized	-	25%	22%
/B	Brushed Aluminum	N/A with --R	20%	15%
/L	Brushed and Lacquered	N/A with -R	25%	20%
Other Finishes	See Finish Chart		20% + Setup	15% + Setup

Note: add up all percentage adders first, then apply to List Price.

ALB Series Accessories

N7 Opposed Blade Damper can be purchased separately.
Pricing information available in the "Grilles & Registers" Section.



HOW TO ORDER ALB SERIES

ALB10-F -1 -RM 48 4 /M

MODEL SERIES

1/8 Bar, 1/4" Spacing, 0°	ALB10
... with OBD	ALB17
1/8 Bar, 1/2" Spacing, 0°	ALB20
... with OBD	ALB27
3/16 Bar, 1/2" Spacing, 0°	ALB30
... with OBD	ALB37
3/16 Bar, 1/2" Spacing, 15°	ALB40
... with OBD	ALB47
3/16 Bar, 1/2" Spacing, 30°	ALB50
... with OBD	ALB57
1/4 Bar, 1/2" Spacing, 0°	ALB60
... with OBD	ALB67

MARGIN STYLE

Narrow Flange (3/8")	-A
Rounded Edge (13/16")	-B
Flat Flange (1")	-E
Standard Floor Frame (1")	-F
Narrow Floor Frame (3/16")	-G
Beveled Flange (1")	-R
T-Bar Margin (1")	-T

MISCELLANEOUS OPTIONS

Vertical Bars	-V
Air Equalizing Grid	-L
Reinforced for Floor	-RF
Removable Core	-RM
Frame Gasket	-GK

FASTENING

No Fastening	-1
Spring Clips	-2
Screw Fastening	-3
Concealed Mounting	-4
Remov Core Spring Clips	-5

FINISH
See chart

WIDTH (INCHES)

LENGTH (INCHES)

Linear Bar Grille Core Only - ALBCO Series



ALBCO1 Linear Bar Grille Core, 1/4" Spacing, 1/8" Bars, 0 Degree (Narrow)

		Length (inches)												
		8	12	18	24	30	36	42	48	54	60	66	72	Extra 12"
Width (inches)	1.5	8	11	14	18	21	25	28	31	35	38	42	45	10
	2	9	12	16	20	24	28	32	36	40	44	48	52	12
	2.5	10	13	18	22	27	31	36	40	45	49	54	58	12
	3	11	14	19	24	30	35	40	45	50	55	60	65	13
	4	12	16	22	29	35	41	47	53	59	65	71	77	15
	5	14	19	26	34	41	48	56	63	70	78	85	92	18
	6	16	22	31	40	49	57	66	75	84	92	101	110	20
	8	20	27	38	49	61	72	83	94	105	116	127	138	25
	10	23	32	46	59	73	86	99	113	126	140	153	166	29
	12	27	37	53	68	84	100	115	131	147	162	178	193	34

Note: Use larger listed dimension for in-between lengths and widths

- ALBCO2 Linear Bar Grille Core, 1/2" Spacing, 1/8" Bars, 0 Degree**
- ALBCO3 Linear Bar Grille Core, 1/2" Spacing, 3/16" Bars, 0 Degree**
- ALBCO4 Linear Bar Grille Core, 1/2" Spacing, 3/16" Bars, 15 Degree**
- ALBCO5 Linear Bar Grille Core, 1/2" Spacing, 3/16" Bars, 30 Degree**
- ALBCO6 Linear Bar Grille Core, 1/2" Spacing, 1/4" Bars, 0 Degree (Pencil Proof)**

		Length (inches)												
		8	12	18	24	30	36	42	48	54	60	66	72	Extra 12"
Width (inches)	1.5	8	10	13	16	19	22	25	28	31	34	37	40	9
	2	8	11	14	17	21	24	27	31	34	37	41	44	10
	2.5	9	11	15	19	22	26	30	33	37	41	44	48	10
	3	9	12	16	20	24	28	32	36	40	44	48	52	11
	4	10	13	18	23	27	32	37	41	46	50	55	60	12
	5	11	15	20	25	31	36	41	46	52	57	62	67	14
	6	13	17	23	29	35	41	46	52	58	64	70	76	15
	8	15	20	27	34	42	49	56	64	71	78	86	93	18
	10	17	23	32	40	49	58	66	75	84	92	101	110	21
	12	19	26	36	46	56	66	76	86	96	107	117	127	24

Note: Use larger listed dimension for in-between lengths and widths

ALBCO Series Options

Option	Description	List Adder
-RF	Reinforced for Floor Applications	15%
/M	Mill Finish	-
/W	Powder Coated White	15%
/A	Anodized	25%
/B	Brushed Aluminum	20%
/L	Brushed and Lacquered	30%
Other Finishes	See Finish Chart	20% + Setup

Note: add up all percentage adders first, then apply to List Price.

HOW TO ORDER ALBCO SERIES

ALBCO6 -RM 48 4 /M

MODEL SERIES

- 1/8 Bar, 1/4" Spacing, 0° **ALBC01**
- 1/8 Bar, 1/2" Spacing, 0° **ALBC02**
- 3/16 Bar, 1/2" Spacing, 0° **ALBC03**
- 3/16 Bar, 1/2" Spacing, 15° **ALBC04**
- 3/16 Bar, 1/2" Spacing, 30° **ALBC05**
- 1/4 Bar, 1/2" Spacing, 0° **ALBC06**

FINISH
See chart

WIDTH (INCHES)

LENGTH (INCHES)

MISCELLANEOUS OPTIONS

Reinforced Bars **-RF**

Architectural Sidewall Linear Bar Grilles & Registers - ARCH Series

- *Concealed Screw Holes with Removable Core
- *All Aluminum, Very Sturdy
- *1/2" Center-to-Center Spacing, 1/4" Fin
- *1/4" Effective Spacing (Pencil Proof), 0 Degree Deflection



ARCH Architectural Sidewall Linear Bar Grille

		Length (inches)															
		6	8	10	12	14	16	18	24	30	36	42	48	54	60	66	72
Width (inches)	4	18	21	22	24	28	32	36	47	62	72	84	94	105	115	125	137
	5	21	23	24	26	31	35	39	52	70	82	94	106	118	130	143	154
	6	23	25	28	30	35	39	44	59	79	93	106	120	133	147	161	175
	8		30	32	36	41	47	53	70	95	113	129	146	163	179	197	214
	10			38	41	48	55	62	83	113	132	152	173	192	212	232	252
	12				48	55	63	70	95	129	152	175	198	221	245	268	291

Note: Use larger listed dimension for in-between lengths and widths

ARCH7 Architectural Sidewall Linear Bar Register

		Length (inches)															
		6	8	10	12	14	16	18	24	30	36	42	48	54	60	66	72
Width (inches)	4	25	28	31	34	39	43	48	62	82	93	122	134	171	181	194	206
	5	29	31	33	36	43	47	51	67	91	105	134	146	187	199	220	231
	6	31	33	37	40	47	51	57	74	101	117	150	160	205	219	241	255
	8		39	43	47	55	61	67	89	120	140	175	197	246	262	287	304
	10			50	53	62	70	77	104	141	162	203	231	285	305	333	353
	12				62	70	79	86	119	158	186	235	264	317	341	379	402

Note: Use larger listed dimension for in-between lengths and widths

ARCH Series Options

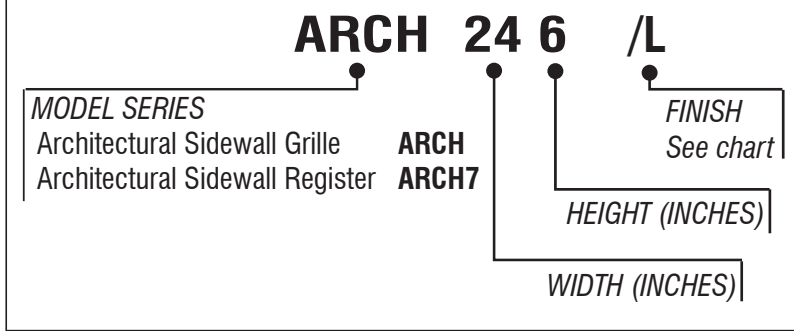
Option	Description	List Adder ARCH	List Adder ARCH7
/M	Mill Finish	-	-
/W	Powder Coated White	-	-
/B	Brushed Aluminum	20%	10%
/L	Brushed & Lacquered	25%	20%
/P	Primer	20%	15%
/SI	Silver Aluminum (Grey)	20%	15%
Other Finishes	See Finish Chart	30% + Setup	30% + Setup

ARCH Series Accessories

N7 Opposed Blade Damper can be purchased separately.
 Pricing information available in the "Grilles & Registers" Section.



HOW TO ORDER ARCH SERIES



High-End Residential Floor Grille - REAL Series

- *All Aluminum
- *5 Way Pattern (-30°, -15°, 0, 15°, 30°) for Better Air Spread
- *R Frame (Beveled Edge) for Better Foot Comfort
- *Standard Floor Grille Dimensions



REAL Residential Floor Bar Grille

Model #	Neck Size	Ctn Qty	Skid Qty	List \$/unit
REAL 0310	3" x 10"	12	1344	17
REAL 0408	4" x 8"	12	1344	17
REAL 0410	4" x 10"	12	1344	18
REAL 0412	4" x 12"	12	756	21
REAL 0414	4" x 14"	12	756	24
REAL 0612	6" x 12"	12	756	26
REAL 0614	6" x 14"	12	756	30

REAL7 Residential Floor Bar Register with Opposed Blade Damper

Model #	Neck Size	Ctn Qty	Skid Qty	List \$/unit
REAL7 0310	3" x 10"	6	672	24
REAL7 0408	4" x 8"	6	672	24
REAL7 0410	4" x 10"	6	672	25
REAL7 0412	4" x 12"	6	378	28
REAL7 0414	4" x 14"	6	378	32
REAL7 0612	6" x 12"	5	315	34
REAL7 0614	6" x 14"	5	315	38

REAL Series Options

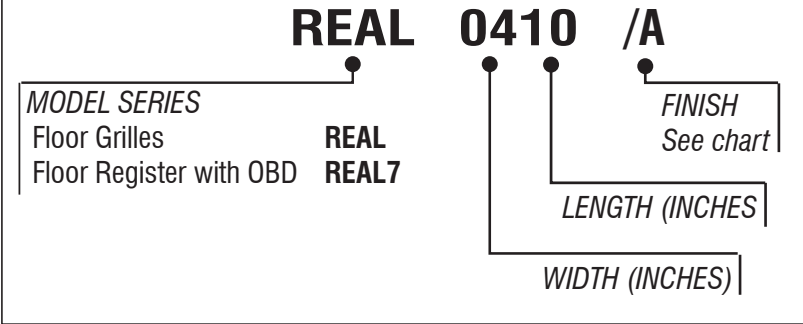
Option	Description	List Adder REAL	List Adder REAL7
/A	Anodized (default)	20%	15%
/M	Mill Finish	-	-
/W	Powder Coated White	20%	15%
Other Finishes	See Finish Chart	20% + Setup	20% + Setup

REAL Series Accessories

N7 Opposed Blade Damper can be purchased separately.
Pricing information available in the "Grilles & Registers" Section.



HOW TO ORDER REAL SERIES



Residential Architectural Floor Grille - RAF Series

- *Brushed Aluminum & Powder Coated Lacquer
- *Narrow Pencil Proof Bars
- *Removable Core
- *Reinforced for Floor
- *Standard Floor Grille Dimensions



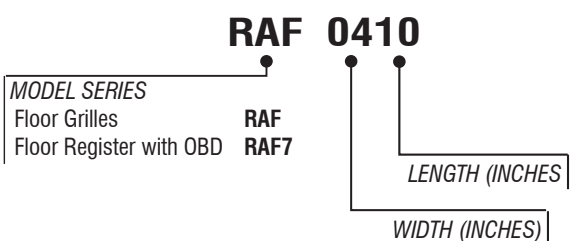
RAF Residential Architectural Floor Grille

Model #	Neck Size	Ctn Qty	Skid Qty	List \$/unit
RAF 0310	3" x 10"	12	1344	17
RAF 0408	4" x 8"	12	1344	17
RAF 0410	4" x 10"	12	1344	18
RAF 0412	4" x 12"	12	756	21
RAF 0414	4" x 14"	12	756	24
RAF 0612	6" x 12"	12	756	26
RAF 0614	6" x 14"	12	756	30

RAF7 Residential Architectural Floor Register with Opposed Blade Damper

Model #	Neck Size	Ctn Qty	Skid Qty	List \$/unit
RAF7 0310	3" x 10"	6	672	24
RAF7 0408	4" x 8"	6	672	24
RAF7 0410	4" x 10"	6	672	25
RAF7 0412	4" x 12"	6	378	28
RAF7 0414	4" x 14"	6	378	32
RAF7 0612	6" x 12"	5	315	34
RAF7 0614	6" x 14"	5	315	38

HOW TO ORDER RAF SERIES



RAF Series Accessories

N7 Opposed Blade Damper can be purchased separately.
 Pricing information available in the "Grilles & Registers" Section.



The current chart features standard finishes offered by Airvector® on most products. Colors and textures have been reproduced as accurately as possible. However, due to variances among computer monitors and printers, the colors may appear differently than on the actual products. Some finishes might not apply to all products. Extra costs and lead times have been listed

to help you price and schedule your orders. See RAL available on our RAL K7 Classic Colour Chart. For more accurate costs and lead times, to confirm availability of a finish on a particular product or for custom finish requirements, please contact our customer service department at order@airvector-hvac.com.

Preview	Color Name	Code	Extra Cost	Lead Time
Powder Coated Paint	White Gloss level: low RAL: 9016	/W	Standard (no extra cost)	Standard 2 weeks Premium Services Available
	Silver Aluminum Gloss level: matte	/SI	15% - 20% adder	Standard 2 weeks Premium Services Available
	Off White Gloss level: medium RAL: 9010	/OW	15% - 20% adder	Standard 2 weeks Premium Services Available
	Beige Gloss level: high RAL: 1013	/BE	15% - 20% adder	Standard 2 weeks Premium Services Available
	Grey Gloss level: high	/G	15% - 20% adder	Standard 2 weeks Premium Services Available
	Brown Gloss level: matte	/BR	15% - 20% adder	Standard 2 weeks Premium Services Available
	Black Gloss level: medium	/BK	15% - 20% adder	Standard 2 weeks Premium Services Available
	Black Mat Gloss level: mat	/BM	15% - 20% adder	Standard 2 weeks Premium Services Available
	Brushed & Lacquered Gloss level: high	/L	15% - 35% adder	Standard 2 weeks Premium Services Available
	Colors from Tiger Drylac selection	/C	\$500 setup charge 15% - 35% adder	Minimum 4 weeks
Other Finishes	Mill (Raw Aluminum)	/M	Standard (no extra cost)	Standard 2 weeks Premium Services Available
	Anodized	/A	15% - 25% adder	Standard 2 weeks Premium Services Available
	Brushed Aluminum (No Lacquer)	/B	15% - 20% adder	Standard 2 weeks Premium Services Available

Contact and update

Update

Updated Data Sheets and Submittals are available in PDF on our website at:

www.airvector-hvac.com

- Print them to update your catalog
- Email them to your customers

For Technical Questions

Email:

info@airvector-hvac.com

Phone:

1-866-AIRVECTOR ext 203
or
1-866-247-8328 ext 203

Fax

1-877-439-0671

Order Desk and Customer Service

Email:

order@airvector-hvac.com

Phone:

1-866-AIRVECTOR ext 201
or
11-866-247-8328 ext 201

Fax

1-877-439-0671



345 Montee-de-Liesse
Saint-Laurent, QC, H4T 1P5
Canada
Phone : 1-866-247-8328 (1-866-AIRVECTOR)
Fax : 1-877-439-0671

Submittal Drawings & Performance Data

Submittal Sheet	4	ARCH / ARCH7	49	FPRE	98	PRI	147
ADA3	4	DA3	50	GADA / GADS	99	PRIF	148
ADA4	5	DA4	51	GADF	100	PRM	149
ADF3	6	DCG	52	GCB10 / GCB17	101	PRMF	150
ADF3D	7	DCR	53	GCB20 / GCB27	102	PRMFL	151
ADF3I	8	DF3	54	GCB30 / GCB37	103	PRN	152
ADF4	9	DF3D	55	GCB40 / GCB47	104	PRT	153
ADF4D	10	DF3I	56	GDA10 / GDA17 / GDA18	105	PRTF	154
ADF4I	11	DF4	57	GDA20/GDA27/GDA28	106	PSI	155
AISO	12	DF4D	58	GDPA	107	PSIL	156
AISOD	13	DF4I	59	GDS10 / GDS17 / GDS18	108	PSM	157
AISOI	14	DLA / DLA9	60	GDS20 / GDS27 / GDS28	109	PSML	158
ALB ALS-SPECIAL SHAPE	15	DLA-HI / DLA9-HI	61	GRT / GRT7	110	PST	159
ALB10 / ALB17	16	DLAI	62	GRTS - GRTA	111	PSTL	160
ALB20 / ALB27	17	DLAM	63	GSA10 - GAA10	112	RAF / RAF7	161
ALB30 / ALB37	18	DLAM-HI	64	GSA20 - GAA20	113	REAL / REAL7	162
ALB40 / ALB47	19	DRV	65	GSA40 - GAA40	114	RFB1	163
ALB50 / ALB57	20	DSW	66	GSA4-GAA4-SF-3	115	U option	164
ALB60 / ALB67	21	DSWD	67	HI Option	116		
ALB70 / ALB77	22	DSWI	68	ICG	117		
ALB80 / ALB87	23	ERE / ERE7	69	ISA / ISA9	118		
ALB90 / ALB97	24	ERE1 / ERE17	70	ISAI	119		
ALBCO	25	ERE3 / ERE37	71	ISAM	120		
ALF10 / ALF17 / ALF18	26	ERE5 / ERE57	72	ISO	121		
ALF1APL...	27	ERI	73	ISOD	122		
ALF1PL...	28	ERI5	74	ISOI	123		
ALF20 / ALF27 / ALF28	29	ERIF	75	LA21	124		
ALF2APL...	30	ERIF5	76	LRIF	125		
ALF2PL	31	ERM	77	LRMF	126		
ALS10 / ALS17	32	ERM5	78	LRTF	127		
ALS1APL	33	ERMF	79	N2	128		
ALS10/ALS17-L-SHAPE LIN- EAR SLOT DIFFUSER	34	ERMF5	80	N4	129		
ALS10/ALS17-L-SHAPE LIN- EAR	35	ERN	81	N5	130		
ALS1PL	36	ERN1 / ERN3 / ERN5	82	N7	131		
ALS1SPL	37	ERN-P	83	N9	132		
ALS20 / ALS27	38	ERT / ERT7	84	NBD	133		
ALS2APL	39	ERT1 / ERT17	85	NBI	134		
ALS2PL	40	ERT3 / ERT37	86	NEG	135		
ALS30 / ALS37	41	ERT5 / ERT57	87	NES	136		
ALS3APL	42	ERTF	88	NR6MFG	137		
ALS3PL	43	ERTF5	89	NSA1	138		
ALS30-P	44	ERU / ERU7	90	NT Accessory	139		
ALSD1	45	ERU1 / ERU17	91	NTRR	140		
ALSMC1	46	ERU3 / ERU37	92	NTSR	141		
ALSMC2	47	ERU5 / ERU57	93	NTSS	142		
ALSMC3	48	FERE	94	PADO	143		
		FERE5	95	PADS	144		
		FGAA	96	PF	145		
		FlexRight	97	PRE / PRE7	146		

Submittal Drawings & Performance Data

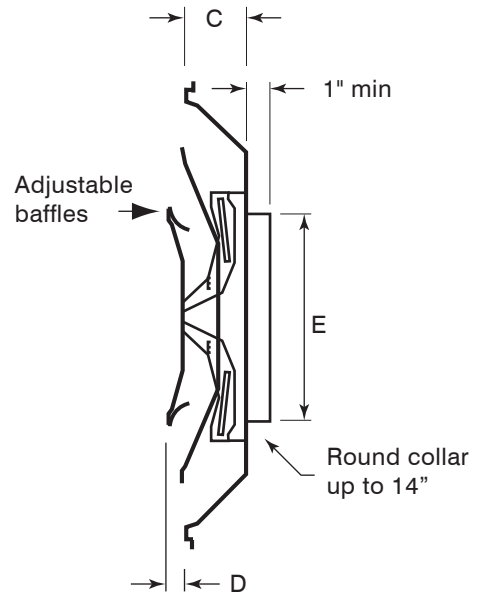
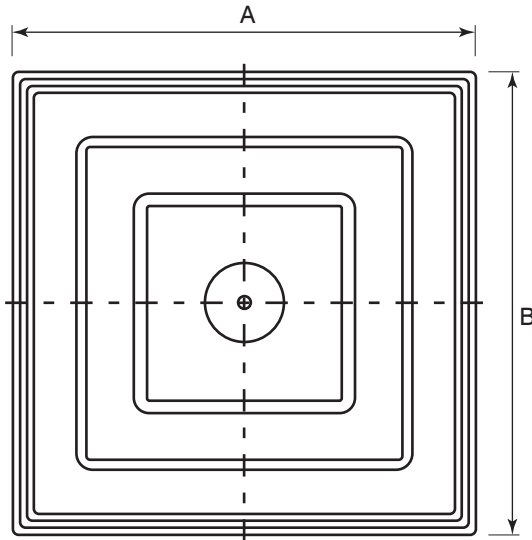
Data Sheet	166
ADF3, ADF3D, ADF3I	166
ALB Series	168
ALF Series	174
ALS Series	177
ARCH Series	188
AVS Series	192
DCG Series	193
DF3 Series	197
DF4 Series	199
DLA Series	201
DLA-HI Series	207
DLA-HI 4W	208
DRV Series	209
DSW, DSWI	210
ERx Series	212
ERx Series	214
ERxF Series	215
FGSA/FGAA Series	216
FGSA/FGAA Series	217
GCB Series	218
GDA Series	220
GRT Series	225
GSA, GAA Series	226
ISA Series	233
ISO Series	237
LRMF, LRIF, LRTF	239
PRMF, PRIF, PRTF	240
PSI, PSIL, PRI	241
PSM, PSML, PRM	243
PST Series	245
Warranty	246
Large Grilles in Multiple Sections	247
Sidewall Grilles Screw Holes Chart	248
Linear Grilles and Diffusers Screw Holes Chart	249
Finishes	250

Aluminum Ceiling Supply Air Diffuser 3 Cone Adjustable

- Material:** Stamped heavy gauge aluminum.
- Finish:** Powder paint coating - white.
- Air Pattern:** Adjustable air pattern from horizontal for cooling to vertical for heating, full face.
- Mounting:** Surface or lay-in T-bar ceiling.
- Core Removal:** Unlock hanger brackets by swiveling lever down. Holding cone L at opposite sides, push upwards, then turn clockwise and drop core free from back plenum.



ADA3
(All Aluminum)



Optional fiberglass insulation on back panel, complies with A.S.T.M. E84 flame and smoke test. (Available only on models with 24" x 24" face)

R4 R6

✓	Model #	Duct Size	Overall Face Dimension "A" x "B"	Depth Of Unit Dimension "C"	Exposed Depth Dimension "D"	Collar Diameter "E"
	ADA3 1206	6	11 3/4" x 11 3/4"	1 3/4"	7/16"	5 7/8"
	ADA3 1208	8	11 3/4" x 11 3/4"	1 3/4"	7/16"	7 7/8"
	ADA3 2406	6	23 3/4" x 23 3/4"	2 7/8"	7/8"	5 7/8"
	ADA3 2408	8	23 3/4" x 23 3/4"	2 7/8"	7/8"	7 7/8"
	ADA3 2410	10	23 3/4" x 23 3/4"	2 7/8"	7/8"	9 7/8"
	ADA3 2412	12	23 3/4" x 23 3/4"	2 7/8"	7/8"	11 7/8"
	ADA3 2414	14	23 3/4" x 23 3/4"	2 7/8"	7/8"	13 7/8"

Finish	
<input type="checkbox"/> /W White (Default)	<input type="checkbox"/> /C Custom (Please Specify)



Schedule type: _____

Job: _____

Architect: _____

Engineer: _____

Contractor: _____

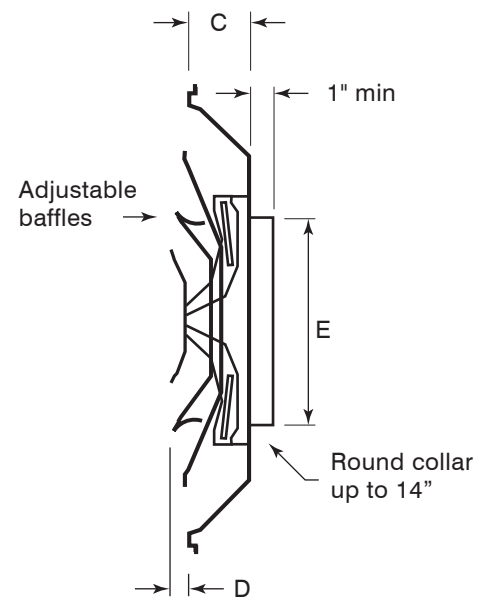
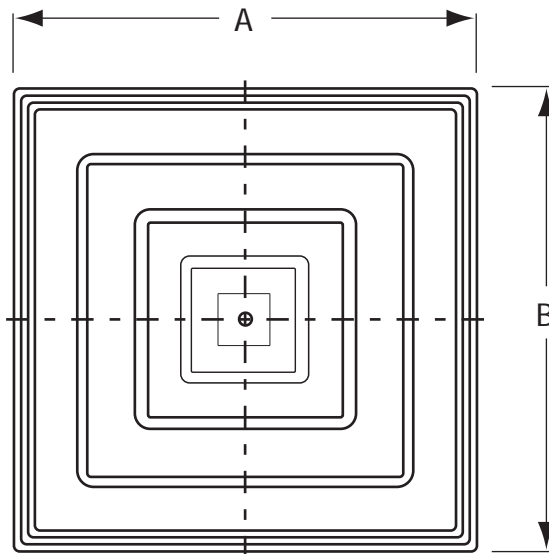
Aluminum Ceiling Supply Air Diffuser 4 Cones Adjustable

- Material:** Stamped heavy gauge aluminum.
Finish: Powder paint coating - white.
Air Pattern: Adjustable horizontal/vertical air pattern.
Mounting: Surface or lay-in T-bar ceiling.
Core Removal: Unlock hanger brackets by swiveling lever down. Holding cone L at opposite sides, push upwards, then turn clockwise and drop core free from back plenum.



ADA4
(All Aluminum)

SUBMITTAL SHEET



Optional fiberglass insulation on back panel, complies with A.S.T.M. E84 flame and smoke test. (Available only on models with 24" x 24" face)

R4 R6



Finish	
<input type="checkbox"/> /W White (Default)	<input type="checkbox"/> /C Custom (Please Specify)

✓	Model #	Duct Size	Overall Face Dimension "A" x "B"	Depth Of Unit Dimension "C"	Exposed Depth Dimension "D"	Collar Diameter "E"
	ADA4 2406	6	23 3/4" x 23 3/4"	2 7/8"	7/8"	5 7/8"
	ADA4 2408	8	23 3/4" x 23 3/4"	2 7/8"	7/8"	7 7/8"
	ADA4 2410	10	23 3/4" x 23 3/4"	2 7/8"	7/8"	9 7/8"
	ADA4 2412	12	23 3/4" x 23 3/4"	2 7/8"	7/8"	11 7/8"
	ADA4 2414	14	23 3/4" x 23 3/4"	2 7/8"	7/8"	13 7/8"

Schedule type: _____

Job: _____

Architect: _____

Engineer: _____

Contractor: _____

SUBMITTAL SHEET

Aluminum Ceiling Square Diffuser 3 Cone - Fixed air pattern

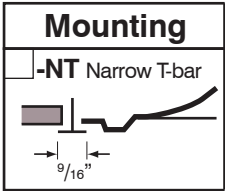
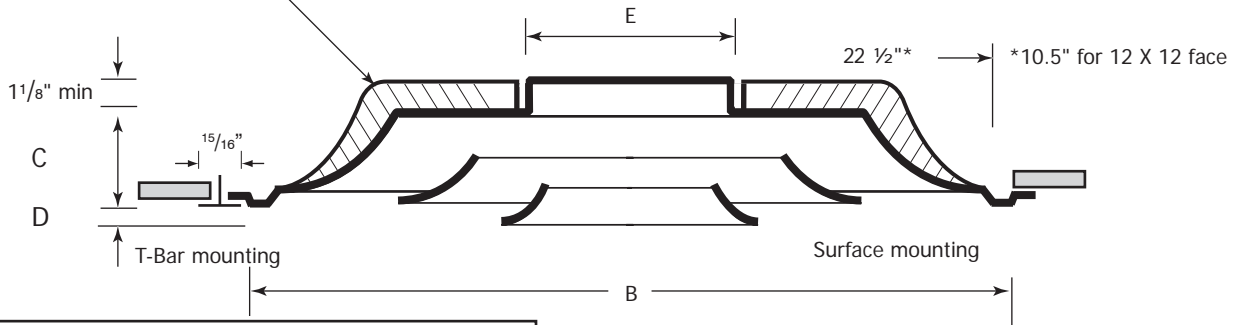
Material: Stamped heavy gauge Aluminium.
Finish: Powder paint coating - white.
Air Pattern: Fixed horizontal 360° diffusion.
Mounting: Surface or Lay-in T-bar ceiling.



ADF3
(All Aluminum)

Optional fiberglass insulation on back panel, complies with A.S.T.M. E84 flame and smoke test. (Available only on models with 24" x 24" face)

R4 R6



Round Collar Baffles

<input type="checkbox"/> W1 1 Way	<input type="checkbox"/> WC 2 Way Corner	<input type="checkbox"/> WO 2 Way Opposed	<input type="checkbox"/> W3 3 Way	<input type="checkbox"/> W4 4 Way (default)

Panel Option for T-bar lay-in Ceiling

	Steel (WxH)	Aluminum (WxH)
<input type="checkbox"/>	-X2412	-Y2412
<input type="checkbox"/>	-X2424	-Y2424
<input type="checkbox"/>	-X2448	-Y2448
<input type="checkbox"/>	-X4824	-Y4824
<input type="checkbox"/>	-X2020	-Y2020

No fastening options available

✓	Model #	Duct Size	E	Face Dim B x B	C	D
	ADF3D 1206	6	5 7/8"	11 3/4" x 11 3/4"	1 3/4"	7/16"
	ADF3D 1208	8	7 7/8"	11 3/4" x 11 3/4"	1 3/4"	7/16"
	ADF3D 2406	6	5 7/8"	23 3/4" x 23 3/4"	2 5/16"	1 3/8"
	ADF3D 2408	8	7 7/8"	23 3/4" x 23 3/4"	2 5/16"	1 3/8"
	ADF3D 2410	10	9 7/8"	23 3/4" x 23 3/4"	2 5/16"	1 3/8"
	ADF3D 2412	12	11 7/8"	23 3/4" x 23 3/4"	2 5/16"	1 3/8"
	ADF3D 2414	14	11 7/8"	23 3/4" x 23 3/4"	2 5/16"	1 3/8"

Finish

<input type="checkbox"/> /W White (Default)	<input type="checkbox"/> /C Custom (Please Specify)
---	---



<p>Equalizing Grid (Option)</p> <p>Refer to NEG</p>	<p>Damper (Option)</p> <p>Refer to N4 Refer to N5</p> <p>Opposed Blade Sliding Blade</p>		<p>Plaster Frame (Option)</p> <p>Refer to PF</p>
	<p>Refer to NEG</p>		

Schedule type: _____

Job: _____

Architect: _____

Engineer: _____

Contractor: _____

Aluminum Ceiling Square Diffuser 3 Cone - Fixed air pattern

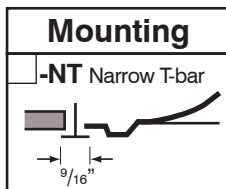
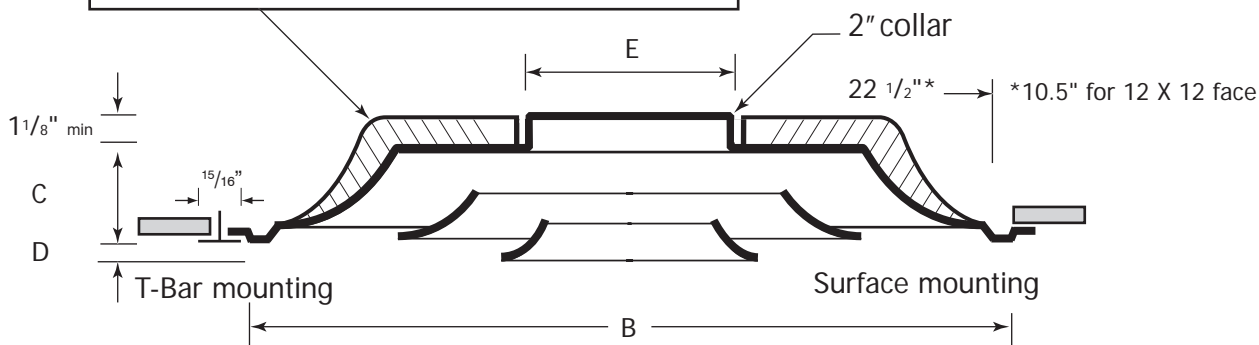
Material: Stamped heavy gauge Aluminium.
Finish: Powder paint coating - white.
Air Pattern: Fixed horizontal 360° diffusion.
Mounting: Surface or Lay-in T-bar ceiling



ADF3D
(All Aluminum)

Optional fiberglass insulation on back panel, complies with A.S.T.M. E84 flame and smoke test. (Available only on models with 24" x 24" face)

R4 R6



Round Collar Baffles

<input type="checkbox"/> W4 4 Way (default)	<input type="checkbox"/> W3 3 Way	<input type="checkbox"/> WO 2 Way Opposed	<input type="checkbox"/> WC 2 Way Corner	<input type="checkbox"/> W1 1 Way

Panel Option for T-bar lay-in Ceiling

	Steel (WxH)	Alum (WxH)
<input type="checkbox"/>	-X2412	-Y2412
<input type="checkbox"/>	-X2424	-Y2424
<input type="checkbox"/>	-X4812	-Y4812
<input type="checkbox"/>	-X4824	-Y4824
<input type="checkbox"/>	-X2020	-Y2020

No mounting options available

✓	Model #	Duct Size	E	Face Dim B x B	C	D
	ADF3D 1206	6	5 7/8"	11 3/4" x 11 3/4"	1 3/4"	7/16"
	ADF3D 1208	8	7 7/8"	11 3/4" x 11 3/4"	1 3/4"	7/16"
	ADF3D 2406	6	5 7/8"	23 3/4" x 23 3/4"	2 5/16"	1 3/8"
	ADF3D 2408	8	7 7/8"	23 3/4" x 23 3/4"	2 5/16"	1 3/8"
	ADF3D 2410	10	9 7/8"	23 3/4" x 23 3/4"	2 5/16"	1 3/8"
	ADF3D 2412	12	11 7/8"	23 3/4" x 23 3/4"	2 5/16"	1 3/8"
	ADF3D 2414	14	11 7/8"	23 3/4" x 23 3/4"	2 5/16"	1 3/8"

Finish

/W White (Default) /C Custom (Please Specify)



<p>Equalizing Grid Option</p> <p>Refer to NEG</p>	<p>Damper Option</p> <p>Refer to N4</p> <p>Opposed Blade</p> <p>Refer to N5</p> <p>Sliding Blade</p>	<p>Plaster Frame Option</p> <p>Refer to PF</p>
--	---	---

Schedule type: _____

Job: _____

Architect: _____

Engineer: _____

Contractor: _____

SUBMITTAL SHEET

Aluminum Ceiling Square Diffuser 3 Cone - Fixed air pattern

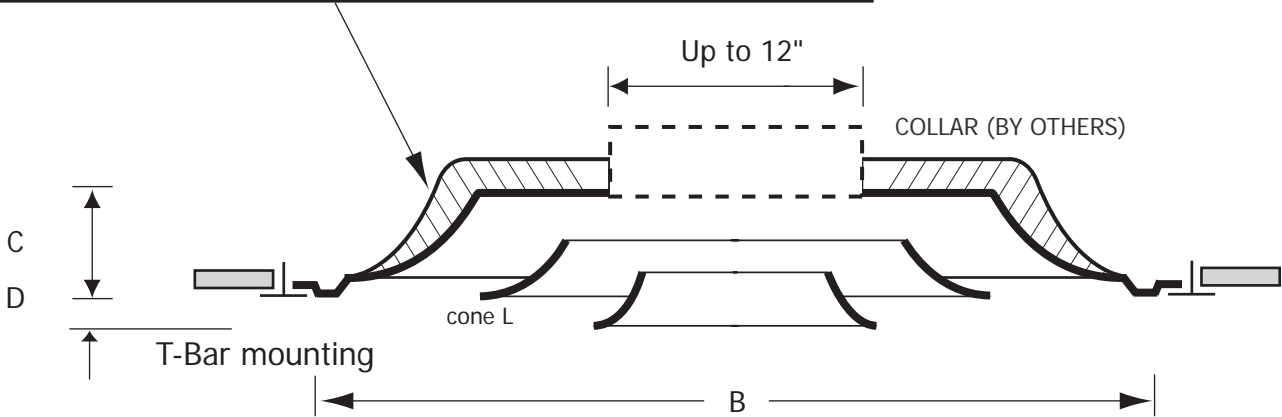
- Material:** Stamped heavy gauge aluminum.
- Finish:** Powder paint coating - white.
- Air Pattern:** Fixed horizontal 360° diffusion.
- Mounting:** Lay-in T-bar ceiling.
- Core Removal:** Unlock hanger brackets by swiveling lever down. Holding cone L at opposite sides, push upwards, then turn clockwise and drop core free from back plenum.



ADF3I
(All Aluminum)

R6 fiberglass back complies with A.S.T.M. E84 flame and smoke test.

Scored for collar sizes up to 12" D. Contractor to install job-specific collar in field. For size 14", please refer to model DF3-R6 2414.



Model #	Face Dim B x B	C	D
ADF3I	23 3/4" x 23 3/4"	2 7/8"	7/8"

Finish	
<input type="checkbox"/> /W White (Default)	<input type="checkbox"/> /C Custom (Please Specify)



Schedule type: _____

Job: _____

Architect: _____

Engineer: _____

Contractor: _____

Aluminum Ceiling Square Diffuser 4 Cone - Fixed air pattern

Material: Stamped heavy gauge Aluminium.
Finish: Powder paint coating - white.
Air Pattern: Fixed horizontal 360° diffusion.
Mounting: Surface or Lay-in T-bar ceiling.



ADF4
(All Aluminum)

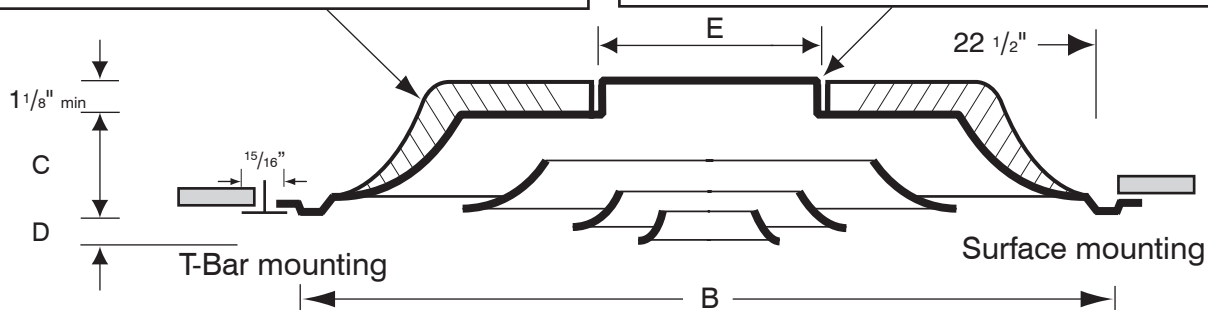
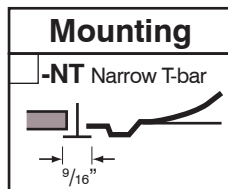
SUBMITTAL SHEET

Optional fiberglass insulation on back panel, complies with A.S.T.M. E84 flame and smoke test. (Available only on models with 24" x 24" face)

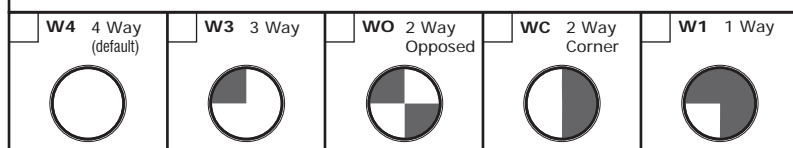
R4 R6

Round collar up to 14".
Standard height is 1 1/8", 2" height available.

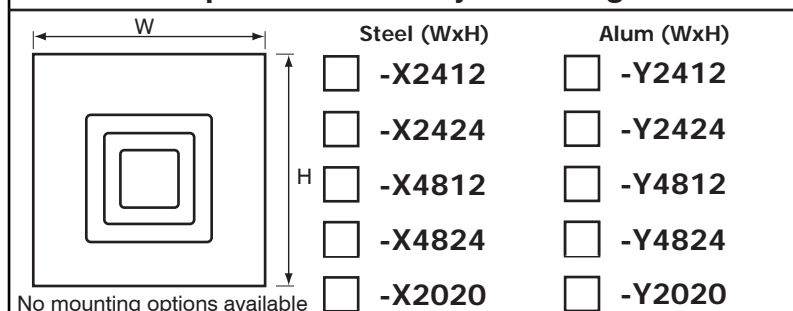
2" collar (specify DF4D)



Round Collar Baffles



Panel Option for T-bar lay-in Ceiling



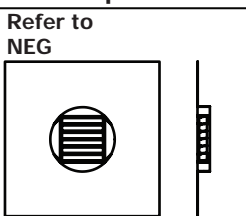
✓	Model #	Duct Size	E	Face Dim B x B	C	D
	ADF4 2406	6	5 7/8"	23 3/4" x 23 3/4"	2 7/8"	7/8"
	ADF4 2408	8	7 7/8"	23 3/4" x 23 3/4"	2 7/8"	7/8"
	ADF4 2410	10	9 7/8"	23 3/4" x 23 3/4"	2 7/8"	7/8"
	ADF4 2412	12	11 7/8"	23 3/4" x 23 3/4"	2 7/8"	7/8"
	ADF4 2414	14	13 7/8"	23 3/4" x 23 3/4"	2 7/8"	7/8"

Finish

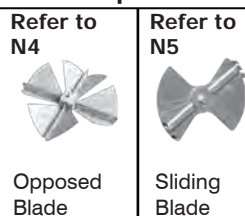
/W White (Default) /C Custom (Please Specify)



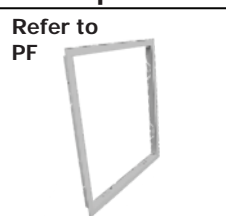
Equalizing Grid Option



Damper Option



Plaster Frame Option



Schedule type: _____

Job: _____

Architect: _____

Engineer: _____

Contractor: _____

SUBMITTAL SHEET

Aluminum Ceiling Square Diffuser 4 Cone - Fixed air pattern

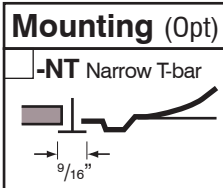
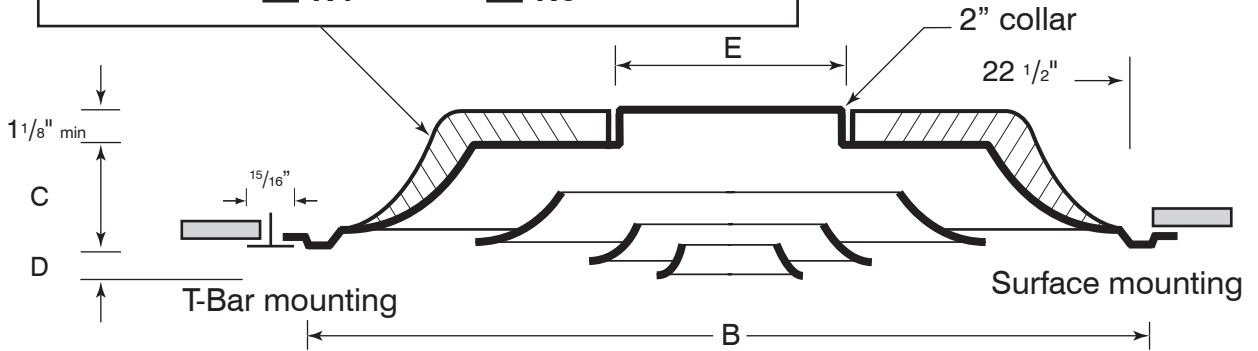
Material: Stamped heavy gauge Aluminium.
Finish: Powder paint coating - white.
Air Pattern: Fixed horizontal 360° diffusion.
Mounting: Surface or Lay-in T-bar ceiling.



ADF4D
(All Aluminum)

Optional fiberglass insulation on back panel, complies with A.S.T.M. E84 flame and smoke test. (Available only on models with 24" x 24" face)

R4 R6



Round Collar Baffles

<input type="checkbox"/> W4 4 Way (default)	<input type="checkbox"/> W3 3 Way	<input type="checkbox"/> WO 2 Way Opposed	<input type="checkbox"/> WC 2 Way Corner	<input type="checkbox"/> W1 1 Way

Panel Option for in T-bar lay-in Ceiling

Steel (WxH)

-X4824

-X2448

Alum (WxH)

-Y4824

-Y2448

No mounting options available

✓	Model #	Duct Size	E	Face Dim B x B	C	D
	ADF4 2406	6	5 7/8"	23 3/4" x 23 3/4"	2 7/8"	7/8"
	ADF4 2408	8	7 7/8"	23 3/4" x 23 3/4"	2 7/8"	7/8"
	ADF4 2410	10	9 7/8"	23 3/4" x 23 3/4"	2 7/8"	7/8"
	ADF4 2412	12	11 7/8"	23 3/4" x 23 3/4"	2 7/8"	7/8"
	ADF4 2414	14	13 7/8"	23 3/4" x 23 3/4"	2 7/8"	7/8"

Finish

/W White (Default) /C Custom (Please Specify)



Equalizing Grid Option Refer to NEG 	Damper Option Refer to N4 Refer to N5 Opposed Blade Sliding Blade		Plaster Frame Option Refer to PF
---	--	--	--

Schedule type: _____

Job: _____

Architect: _____

Engineer: _____

Contractor: _____

Aluminum Ceiling Square Diffuser 4 Cone - Fixed air pattern

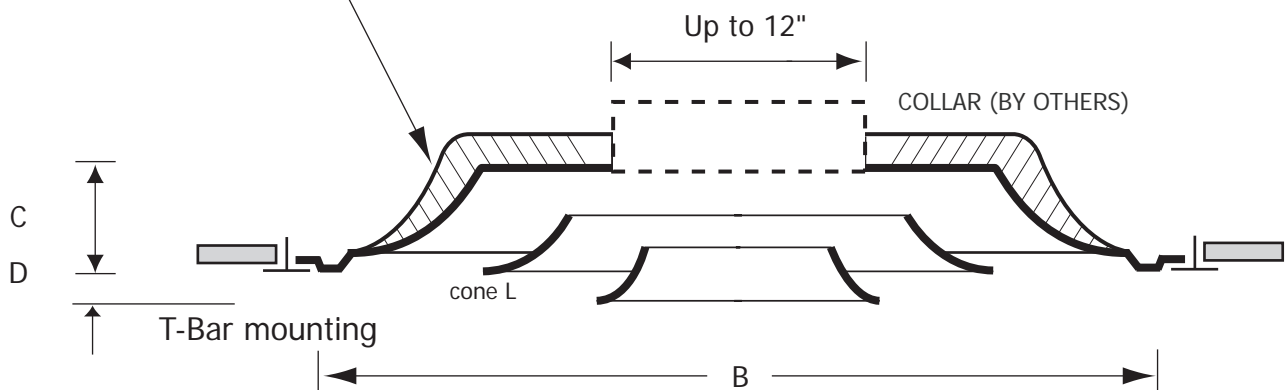
- Material:** Stamped heavy gauge Aluminium.
- Finish:** Powder paint coating - white.
- Air Pattern:** Fixed horizontal 360° diffusion.
- Mounting:** Lay-in T-bar ceiling.
- Core Removal:** Unlock hanger brackets by swiveling lever down. Holding cone L at opposite sides, push upwards, then turn clockwise and drop core free from back plenum.



ADF4I
(All Aluminum)

R6 fiberglass back complies with A.S.T.M. E84 flame and smoke test.

Scored for collar sizes up to 12" D. Contractor to install job-specific collar in field. For size 14", please refer to model DF3-R6 2414.



Model #	Face Dim B x B	C	D
ADF4I	23 3/4" x 23 3/4"	2 7/8"	7/8"

Finish	
<input type="checkbox"/> /W White (Default)	<input type="checkbox"/> /C Custom (Please Specify)



Schedule type: _____

Job: _____

Architect: _____

Engineer: _____

Contractor: _____

SUBMITTAL SHEET

Square Plaque Aluminum Diffuser Architectural Line

- Material:** Stamped heavy gauge aluminum.
- Finish:** Powder paint coating - white.
- Mounting:** Surface or Lay-in T-bar ceiling.
- Air Pattern:** Fixed horizontal 360° diffusion.
- Core Removal:** Unlock hanger brackets by swiveling lever down. Holding core panel at opposite sides, push upwards, then turn clockwise and drop core free from back plenum.

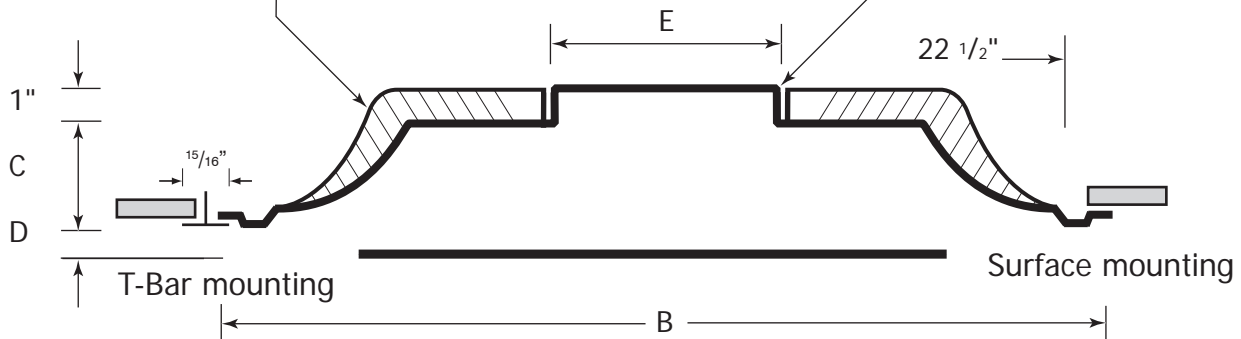


AISO
(Aluminum)

Optional R6 fiberglass insulation on back panel complies with A.S.T.M. E84 flame and smoke test. (Available only on models with 24" x 24" face)

R4 R6

Drawn collar up to 14"D.



Round Collar Baffles				
W1 1 Way	WC 2 Way Corner	WO 2 Way Opposed	W3 3 Way	W4 4 Way (default)

Mounting (Opt)

-NT Narrow T-bar

Finish	
<input type="checkbox"/> /W White (Default)	<input type="checkbox"/> /C Custom (Please Specify)



✓	Model #	Duct Size	E	Face Dim B x B	C	D
	AISO 1206	6	5 7/8"	11 3/4" x 11 3/4"	1 3/4"	7/16"
	AISO 1208	8	7 7/8"	11 3/4" x 11 3/4"	1 3/4"	7/16"
	AISO 2406	6	5 7/8"	23 3/4" x 23 3/4"	2 7/8"	7/8"
	AISO 2408	8	7 7/8"	23 3/4" x 23 3/4"	2 7/8"	7/8"
	AISO 2410	10	9 7/8"	23 3/4" x 23 3/4"	2 7/8"	7/8"
	AISO 2412	12	11 7/8"	23 3/4" x 23 3/4"	2 7/8"	7/8"
	AISO 2414	14	13 7/8"	23 3/4" x 23 3/4"	2 7/8"	7/8"

Schedule type: _____

Job: _____

Architect: _____

Engineer: _____

Contractor: _____

Square Plaque Aluminum Diffuser Architectural Line

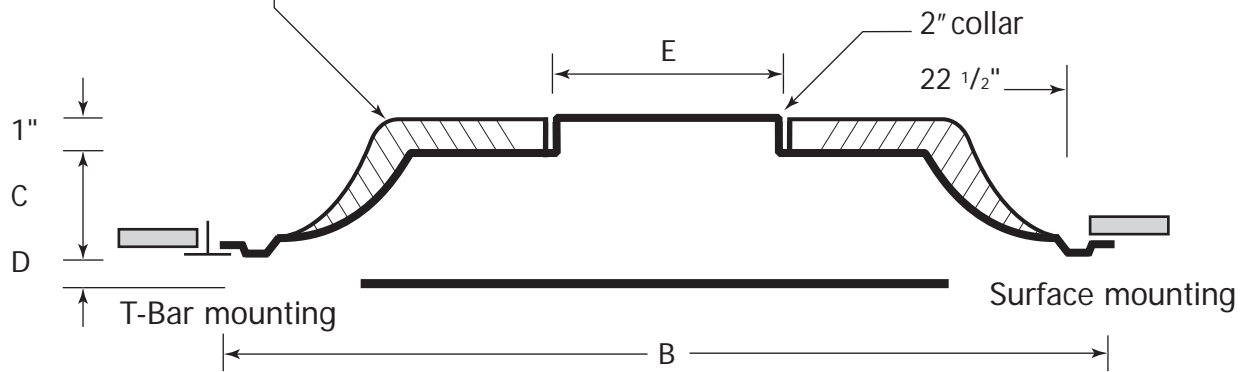
- Material:** Stamped heavy gauge aluminum.
Finish: Powder paint coating - white.
Mounting: Surface or Lay-in T-bar ceiling.
Air Pattern: Fixed horizontal 360° diffusion.
Core Removal: Unlock hanger brackets by swiveling lever down. Holding core panel at opposite sides, push upwards, then turn clockwise and drop core free from back plenum.



AISOD
(Aluminum)

Optional R6 fiberglass insulation on back panel complies with A.S.T.M. E84 flame and smoke test. (Available only on models with 24" x 24" face)

R4 R6



Round Collar Baffles				
<input type="checkbox"/> W1 1 Way	<input type="checkbox"/> WC 2 Way Corner	<input type="checkbox"/> WO 2 Way Opposed	<input type="checkbox"/> W3 3 Way	<input type="checkbox"/> W4 4 Way (default)

✓	Model #	Duct Size	E	Face Dim B x B	C	D
	AISOD 1206	6	5 7/8"	11 3/4" x 11 3/4"	1 3/4"	7/16"
	AISOD 1208	8	7 7/8"	11 3/4" x 11 3/4"	1 3/4"	7/16"
	AISOD 2406	6	5 7/8"	23 3/4" x 23 3/4"	2 7/8"	7/8"
	AISOD 2408	8	7 7/8"	23 3/4" x 23 3/4"	2 7/8"	7/8"
	AISOD 2410	10	9 7/8"	23 3/4" x 23 3/4"	2 7/8"	7/8"
	AISOD 2412	12	11 7/8"	23 3/4" x 23 3/4"	2 7/8"	7/8"
	AISOD 2414	14	13 7/8"	23 3/4" x 23 3/4"	2 7/8"	7/8"

Finish	
<input type="checkbox"/> /W White (Default)	<input type="checkbox"/> /C Custom (Please Specify)



Schedule type: _____

Job: _____

Architect: _____

Engineer: _____

Contractor: _____

SUBMITTAL SHEET

Square Plaque Aluminum Diffuser Architectural Line

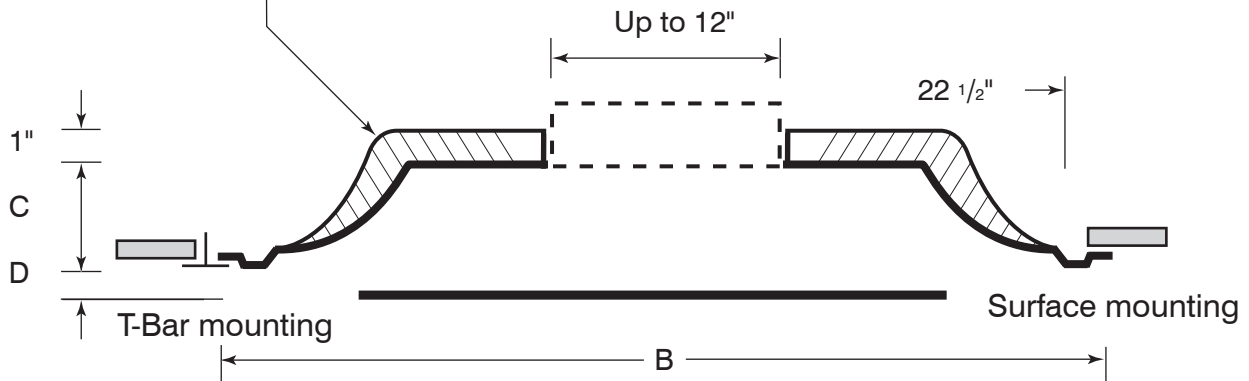
- Material:** Stamped heavy gauge aluminum.
- Finish:** Powder paint coating - white.
- Mounting:** Surface or Lay-in T-bar ceiling.
- Air Pattern:** Fixed horizontal 360 diffusion.
- Core Removal:** Unlock hanger brackets by swiveling lever down. Holding core panel at opposite sides, push upwards, then turn clockwise and drop core free from back plenum.



AISOI
(Aluminum)

R6 fiberglass back complies with A.S.T.M. E84 flame and smoke test.

Scored for collar sizes up to 12" D. Contractor to install job-specific collar in field. For size 14", please refer to model DF3-R6 2414.



Model #	Face Dim B x B	C	D
AISOI	23 3/4" x 23 3/4"	2 7/8"	7/8"

Finish	
<input type="checkbox"/> /W White (Default)	<input type="checkbox"/> /C Custom (Please Specify)



Schedule type: _____

Job: _____

Architect: _____

Engineer: _____

Contractor: _____

For Special Shapes of ALB or ALS products

Important:
 Attach with the regular ALB or ALS submittal drawing.
 All dimensions are "WIDTH INCLUDED".
 For ALB4 & ALB5 please indicate air flow direction with arrows on drawing.

Dimension Type		
<input type="checkbox"/> -LS (default) List Size (1/4" more than neck size)	<input type="checkbox"/> -FS Face Size	<input type="checkbox"/> -NS Exact Neck Size

L-Shape

Dims	Qty	
H (in inches)	_____ "	_____ "
L (in inches)	_____ "	_____ "
W (in inches)	_____ "	_____ "
D (in degrees)	_____ °	_____ °

U-Shape

Dims	Qty	
H1 (in inches)	_____ "	_____ "
H2 (in inches)	_____ "	_____ "
L (in inches)	_____ "	_____ "
W (in inches)	_____ "	_____ "
D1 (in degrees)	_____ °	_____ °
D2 (in degrees)	_____ °	_____ °

Z-Shape

Dims	Qty	
L1 (in inches)	_____ "	_____ "
L2 (in inches)	_____ "	_____ "
H (in inches)	_____ "	_____ "
W (in inches)	_____ "	_____ "
D1 (in degrees)	_____ °	_____ °
D2 (in degrees)	_____ °	_____ °

O-Shape

Dims	Qty	
H (in inches)	_____ "	_____ "
L (in inches)	_____ "	_____ "
W (in inches)	_____ "	_____ "
D1 (in degrees)	_____ °	_____ °
D2 (in degrees)	_____ °	_____ °

I-Shape (Straight)

Dims	Qty	
L (in inches)	_____ "	_____ "
W (in inches)	_____ "	_____ "

Any Shape

Dims	Qty	
_____	_____ "	_____ "
_____	_____ "	_____ "
_____	_____ "	_____ "
_____	_____ "	_____ "
_____	_____ "	_____ "
_____	_____ °	_____ °
_____	_____ °	_____ °

Please submit sketch using dimensional examples above.

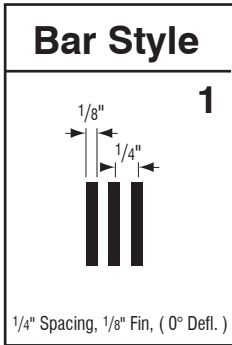
ALB Architectural Linear Bar Grille

Material: Extruded aluminum
Lengths over 72 inches supplied as multiple sections

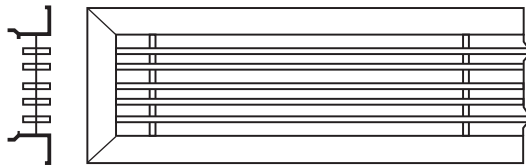
Opposed Blade Damper (optional):
Galvanized steel construction
Key-operated through grille face



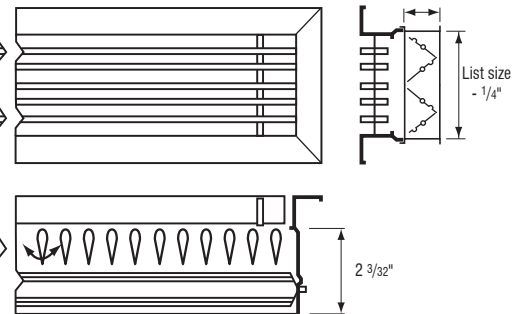
ALB10 / ALB17



ALB10 = Grille Only



ALB17 = Grille + OBD
(Min Width 3")



ALB10-L = Grille + Air Equalizing Deflector
(Min Width 4")

ALB17-L = Grille + OBD + Air Equalizing Deflector
(Min Width 4")

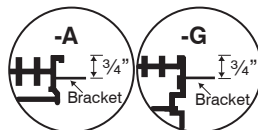
Margin Style			
-A Listed + 9/32" 9/16" Listed - 1/4" N/A with -3, -5, -RM, -SB	-B Listed + 7/8" 7/8" Listed - 1/4" N/A with -5, -SB, -RM	-E Listed + 1 1/4" 1 1/16" Listed - 1/4" N/A with -5, -SB, -RM	-F Listed + 1 3/8" 1" Listed - 1/4" ONLY with -1, -3, -5, -RM
-G Listed - 1/4" 3/16" Listed - 1/4" ONLY with -1, -5, -RM, -SB	-R Listed + 1 1/4" 1 1/16" Listed - 1/4" N/A with -5, -SB, -RM	-T Listed - 1/4" 1 1/16" Listed - 1 3/4" N/A with -2, -3, -5, -SB, -RM	-P Plaster-In Frame Listed + 1 1/4" Plaster Gyproc Listed - 1/4" ONLY with -5, -RM

Fastening Method	
-1 No Fastening N/A with -RM and frame -P	-2 Spring clip N/A with -F, -G, -P, -T
-3 Screw N/A with -A, -G, -T	-4 Concealed N/A with -F, -G, -P Min Width 4"
-5 Core spring clips Only with combined -RM and frames -F, -G, -P	

Finish					
/W White (Default)	/M Mill Finish	/A Anodized	/B Brushed Aluminum N/A with -G, -R	/L Brushed & Lacquered N/A with -G, -R	/C Custom (Please Specify)



- Security Ceiling Wire -CW**
- Mounting Brackets for Sheetrock -SB**
(3/4" from the face) Only w/ -A -G
- Reinforced Floor Application -RF**
(6" max width for all frames, for over 6" use -F up to 20" more)
- Removable Core Application -RM**
(For ceiling add -5, -CW ; for wall add -5)
- Frame Gasket -GK**
- Vertical Bars -V**



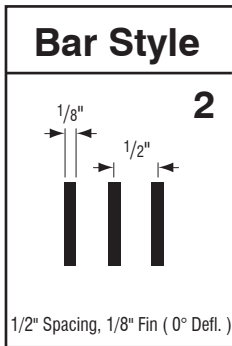
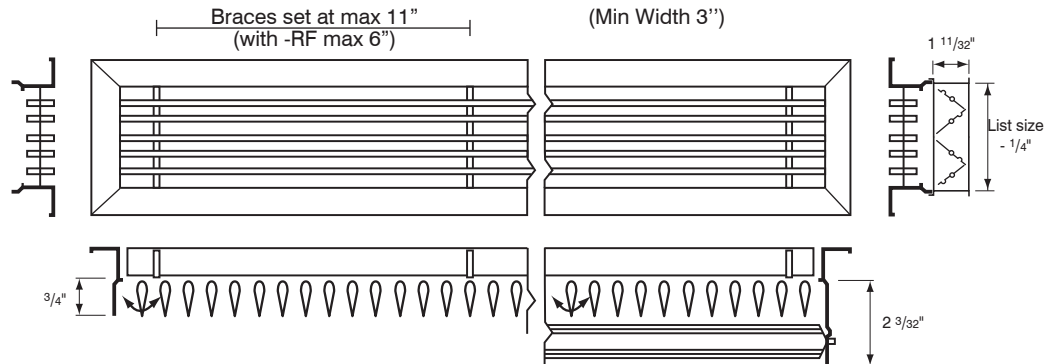
Up to 1/8 inch increments without damper.
Dimensions shown contain expansion tolerances based on temperature rise of 40°F above the ambient temperature at which the material is fabricated.

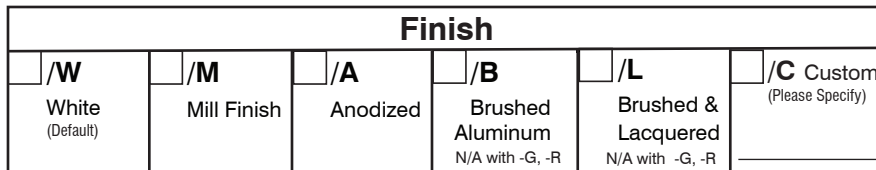
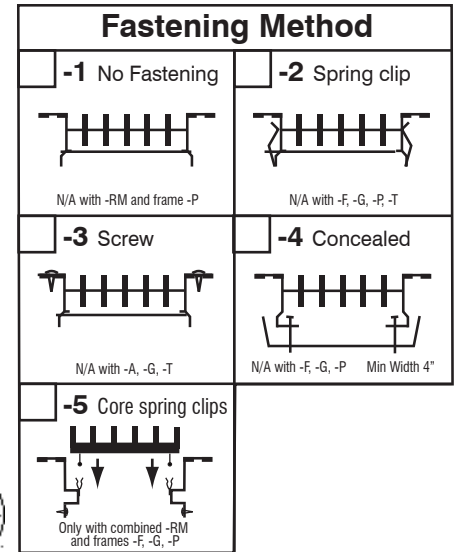
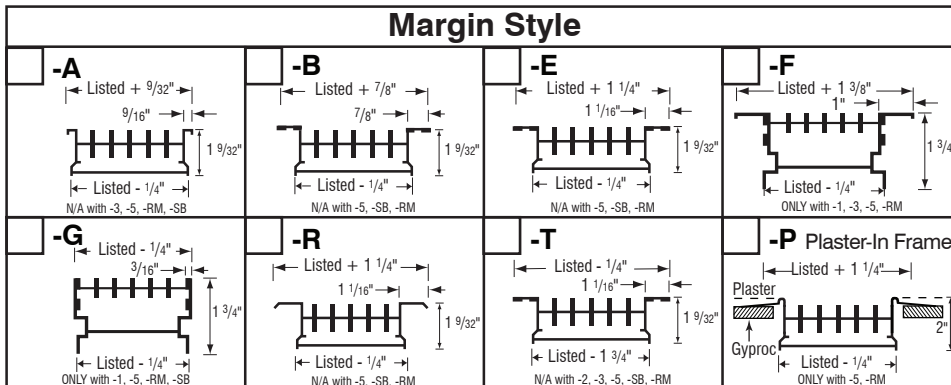
Schedule Type:	_____
Project:	_____
Architect:	_____
Engineer:	_____
Contractor:	_____

ALB Architectural Linear Bar Grille

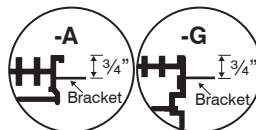
Material: Extruded aluminum
Lengths over 72 inches supplied as multiple sections

Opposed Blade Damper (optional):
Galvanized steel construction
Key-operated through grille face


ALB20 / ALB27

 ALB20 = Grille Only
 ALB27 = Grille + OBD
(Min Width 3")

 ALB20-L = Grille + Air Equalizing Deflector
(Min Width 4")

 ALB27-L = Grille + OBD + Air Equalizing Deflector
(Min Width 4")


- Security Ceiling Wire -CW**
- Mounting Brackets for Sheetrock -SB**
(3/4" from the face) Only w/ -A -G
- Reinforced Floor Application -RF**
(6" max width recommended for high traffic, 8" max width for occasional traffic)
- Removable Core Application -RM**
Only w/ -F, -G
- Frame Gasket -GK**
- Vertical Bars -V**



Up to 1/8 inch increments without damper.
Dimensions shown contain expansion tolerances based on temperature rise of 40°F above the ambient temperature at which the material is fabricated.

Schedule Type:	_____
Project:	_____
Architect:	_____
Engineer:	_____
Contractor:	_____

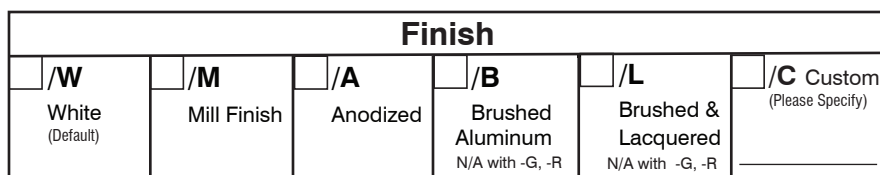
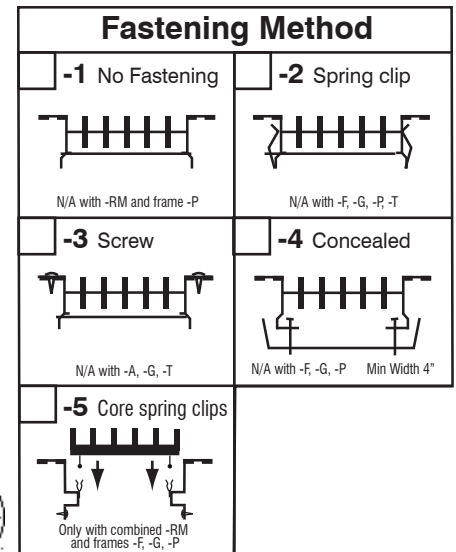
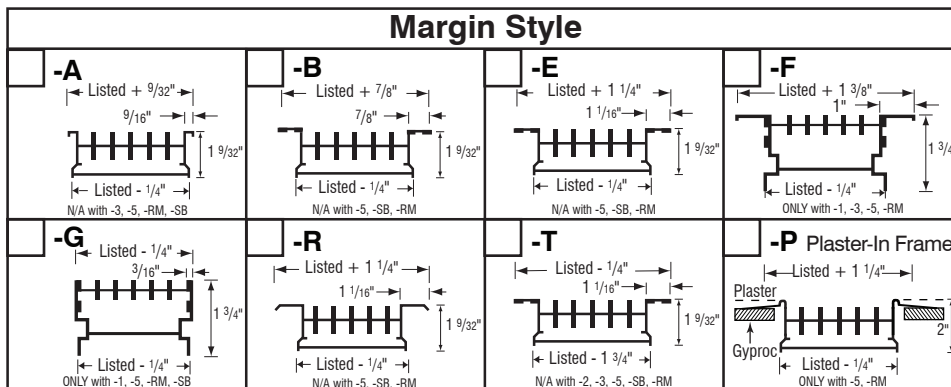
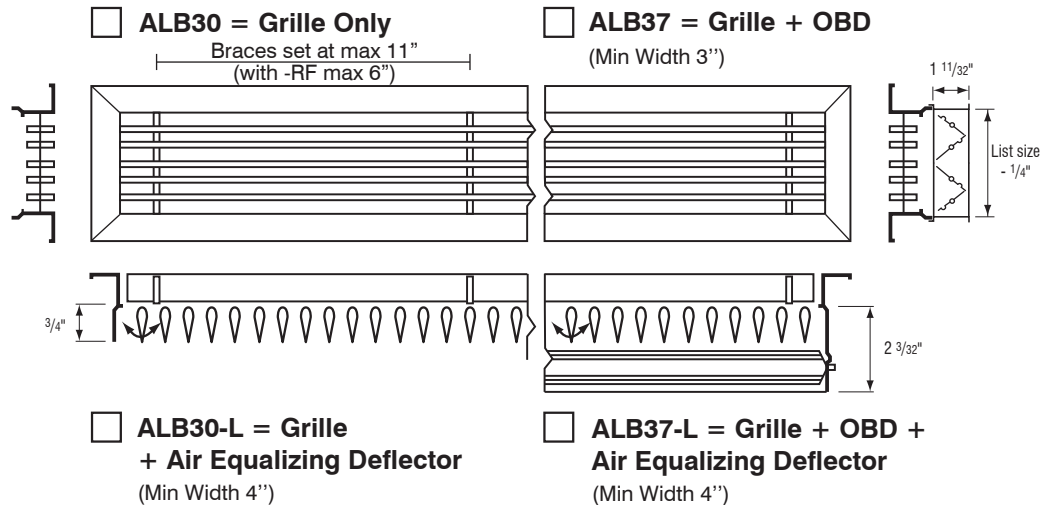
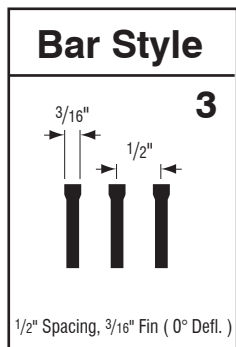
ALB Architectural Linear Bar Grille

Material: Extruded aluminum
Lengths over 72 inches supplied as multiple sections

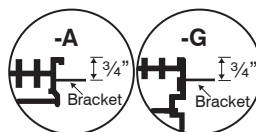
Opposed Blade Damper (optional):
Galvanized steel construction
Key-operated through grille face



ALB30 / ALB37



- Security Ceiling Wire -CW**
- Mounting Brackets for Sheetrock -SB**
(3/4" from the face) Only w/ -A -G
- Reinforced Floor Application -RF**
(6" max width recommended for high traffic, 8" max width for occasional traffic)
- Removable Core Application -RM**
Only w/ -F, -G
- Frame Gasket -GK**
- Vertical Bars -V**



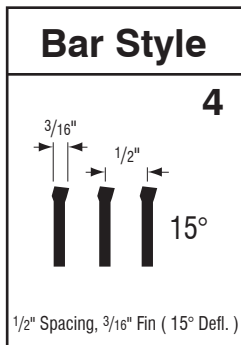
Up to 1/8 inch increments without damper.
Dimensions shown contain expansion tolerances based on temperature rise of 40°F above the ambient temperature at which the material is fabricated.

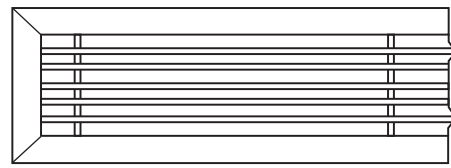
Schedule Type: _____
Project: _____
Architect: _____
Engineer: _____
Contractor: _____

ALB Architectural Linear Bar Grille

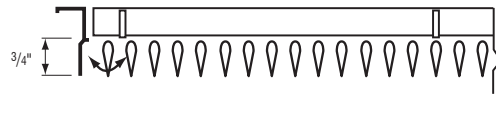
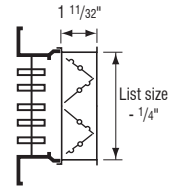
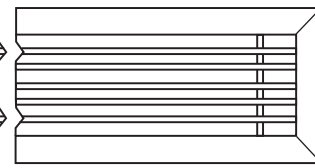
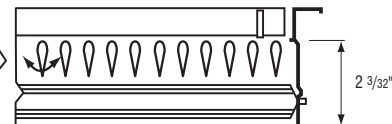
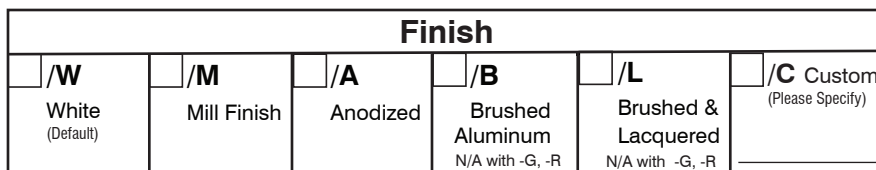
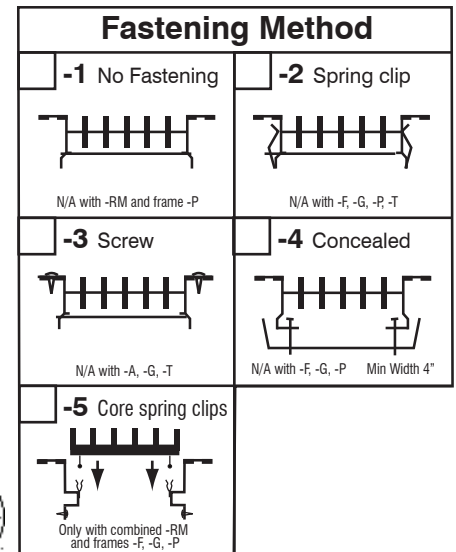
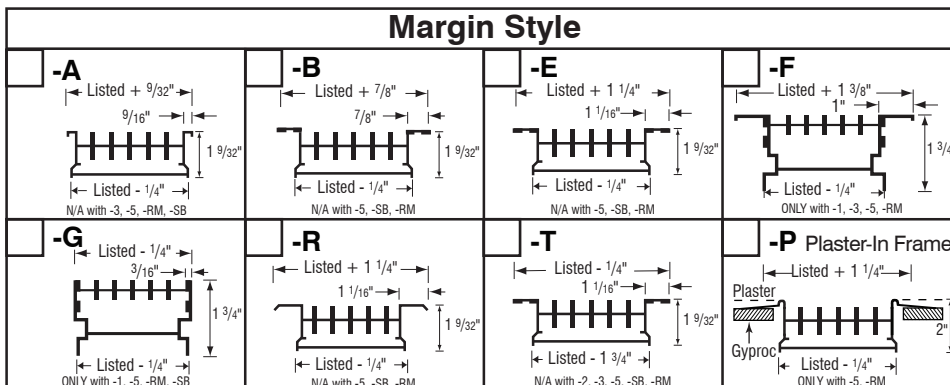
Material: Extruded aluminum
Lengths over 72 inches supplied as multiple sections

Opposed Blade Damper (optional):
Galvanized steel construction
Key-operated through grille face

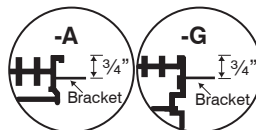

ALB40 / ALB47

 ALB40 = Grille Only

 Braces set at max 11"
(with -RF max 6")

 ALB47 = Grille + OBD

(Min Width 3")


 ALB40-L = Grille + Air Equalizing Deflector
(Min Width 4")

 ALB47-L = Grille + OBD + Air Equalizing Grid (Min Width 4")


- Security Ceiling Wire -CW**
- Mounting Brackets for Sheetrock -SB**
(3/4" from the face) Only w/ -A -G
- Reinforced Floor Application -RF**
(6" max width recommended for high traffic, 8" max width for occasional traffic)
- Removable Core Application -RM**
Only w/ -F, -G
- Frame Gasket -GK**
- Vertical Bars -V**



Up to 1/8 inch increments without damper.
Dimensions shown contain expansion tolerances based on temperature rise of 40°F above the ambient temperature at which the material is fabricated.

Schedule Type:	_____
Project:	_____
Architect:	_____
Engineer:	_____
Contractor:	_____

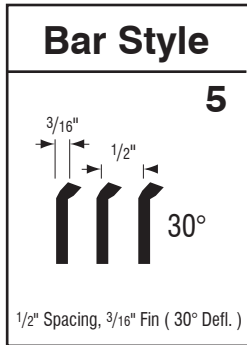
ALB Architectural Linear Bar Grille

Material: Extruded aluminum
Lengths over 72 inches supplied as multiple sections

Opposed Blade Damper (optional):
Galvanized steel construction
Key-operated through grille face

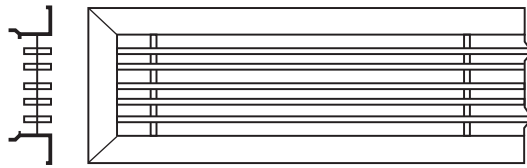


ALB50 / ALB57



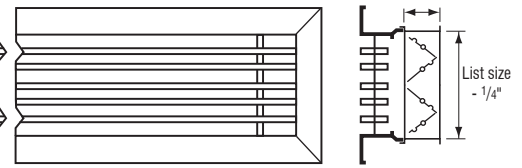
ALB50 = Grille Only

Braces set at max 11"
(with -RF max 6")

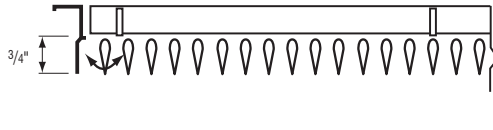


ALB57 = Grille + OBD

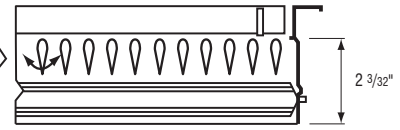
(Min Width 3")



ALB50-L = Grille + Air Equalizing Deflector
(Min Width 4")



ALB57-L = Grille + OBD + Air Equalizing Deflector
(Min Width 4")



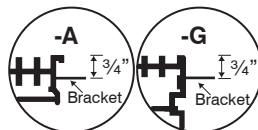
Margin Style			
<p>-A</p> <p>Listed + 9/32"</p> <p>9/16"</p> <p>1 9/32"</p> <p>Listed - 1/4"</p> <p>N/A with -3, -5, -RM, -SB</p>	<p>-B</p> <p>Listed + 7/8"</p> <p>7/8"</p> <p>1 9/32"</p> <p>Listed - 1/4"</p> <p>N/A with -5, -SB, -RM</p>	<p>-E</p> <p>Listed + 1 1/4"</p> <p>1 1/16"</p> <p>1 9/32"</p> <p>Listed - 1/4"</p> <p>N/A with -5, -SB, -RM</p>	<p>-F</p> <p>Listed + 1 3/8"</p> <p>1"</p> <p>1 3/4"</p> <p>Listed - 1/4"</p> <p>ONLY with -1, -3, -5, -RM</p>
<p>-G</p> <p>Listed - 1/4"</p> <p>3/16"</p> <p>1 3/4"</p> <p>Listed - 1/4"</p> <p>ONLY with -1, -5, -RM, -SB</p>	<p>-R</p> <p>Listed + 1 1/4"</p> <p>1 1/16"</p> <p>1 9/32"</p> <p>Listed - 1/4"</p> <p>N/A with -5, -SB, -RM</p>	<p>-T</p> <p>Listed - 1/4"</p> <p>1 1/16"</p> <p>1 9/32"</p> <p>Listed - 1 3/4"</p> <p>N/A with -2, -3, -5, -SB, -RM</p>	<p>-P Plaster-In Frame</p> <p>Listed + 1 1/4"</p> <p>Plaster</p> <p>Gyproc</p> <p>Listed - 1/4"</p> <p>ONLY with -5, -RM</p>

Fastening Method	
<p>-1 No Fastening</p> <p>N/A with -RM and frame -P</p>	<p>-2 Spring clip</p> <p>N/A with -F, -G, -P, -T</p>
<p>-3 Screw</p> <p>N/A with -A, -G, -T</p>	<p>-4 Concealed</p> <p>N/A with -F, -G, -P Min Width 4"</p>
<p>-5 Core spring clips</p> <p>Only with combined -RM and frames -F, -G, -P</p>	

Finish					
<p>/W</p> <p>White (Default)</p>	<p>/M</p> <p>Mill Finish</p>	<p>/A</p> <p>Anodized</p>	<p>/B</p> <p>Brushed Aluminum N/A with -G, -R</p>	<p>/L</p> <p>Brushed & Lacquered N/A with -G, -R</p>	<p>/C Custom (Please Specify)</p>



- Security Ceiling Wire -CW**
- Mounting Brackets for Sheetrock -SB**
(3/4" from the face) Only w/ -A -G
- Reinforced Floor Application -RF**
(6" max width recommended for high traffic, 8" max width for occasional traffic)
- Removable Core Application -RM**
Only w/ -F, -G
- Frame Gasket -GK**
- Vertical Bars -V**



Up to 1/8 inch increments without damper.
Dimensions shown contain expansion tolerances based on temperature rise of 40°F above the ambient temperature at which the material is fabricated.

Schedule Type: _____

Project: _____

Architect: _____

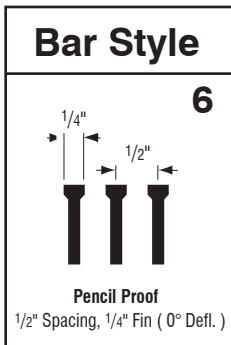
Engineer: _____

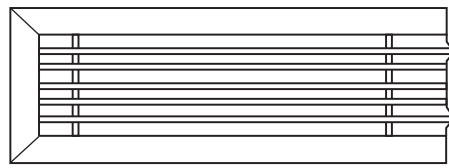
Contractor: _____

ALB Architectural Linear Bar Grille

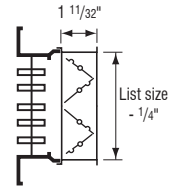
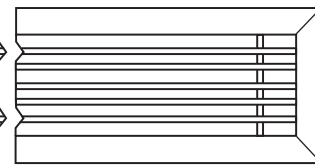
Material: Extruded aluminum
Lengths over 72 inches supplied as multiple sections

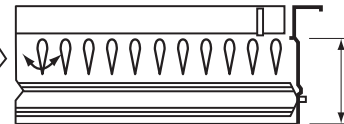
Opposed Blade Damper (optional):
Galvanized steel construction
Key-operated through grille face


ALB60 / ALB67

 ALB60 = Grille Only

 Braces set at max 11"
(with -RF max 6")

 ALB67 = Grille + OBD

(Min Width 3")


 ALB60-L = Grille + Air Equalizing Deflector
(Min Width 4")

 ALB67-L = Grille + OBD + Air Equalizing Deflector
(Min Width 4")


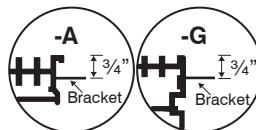
Margin Style			
-A Listed + 9/32" 9/16" Listed - 1/4" N/A with -3, -5, -RM, -SB	-B Listed + 7/8" 7/8" Listed - 1/4" N/A with -5, -SB, -RM	-E Listed + 1 1/4" 1 1/16" Listed - 1/4" N/A with -5, -SB, -RM	-F Listed + 1 3/8" 1" Listed - 1/4" ONLY with -1, -3, -5, -RM
-G Listed - 1/4" 3/16" Listed - 1/4" ONLY with -1, -5, -RM, -SB	-R Listed + 1 1/4" 1 1/16" Listed - 1/4" N/A with -5, -SB, -RM	-T Listed - 1/4" 1 1/16" Listed - 1 3/4" N/A with -2, -3, -5, -SB, -RM	-P Plaster-In Frame Listed + 1 1/4" Plaster Gyproc Listed - 1/4" ONLY with -5, -RM

Fastening Method	
-1 No Fastening N/A with -RM and frame -P	-2 Spring clip N/A with -F, -G, -P, -T
-3 Screw N/A with -A, -G, -T	-4 Concealed N/A with -F, -G, -P Min Width 4"
-5 Core spring clips Only with combined -RM and frames -F, -G, -P	

Finish					
/W White (Default)	/M Mill Finish	/A Anodized	/B Brushed Aluminum N/A with -G, -R	/L Brushed & Lacquered N/A with -G, -R	/C Custom (Please Specify)



- Security Ceiling Wire -CW**
- Mounting Brackets for Sheetrock -SB**
(3/4" from the face) Only w/ -A -G
- Reinforced Floor Application -RF**
(6" max width recommended for high traffic, 8" max width for occasional traffic)
- Removable Core Application -RM**
Only w/ -F, -G
- Frame Gasket -GK**
- Vertical Bars -V**



Up to 1/8 inch increments without damper.
Dimensions shown contain expansion tolerances based on temperature rise of 40°F above the ambient temperature at which the material is fabricated.

Schedule Type:	_____
Project:	_____
Architect:	_____
Engineer:	_____
Contractor:	_____

SUBMITTAL SHEET

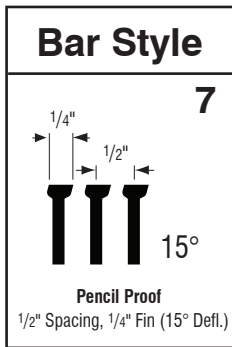
ALB Architectural Linear Bar Grille

Material: Extruded aluminum
Lengths over 72 inches supplied as multiple sections

Opposed Blade Damper (optional):
Galvanized steel construction
Key-operated through grille face

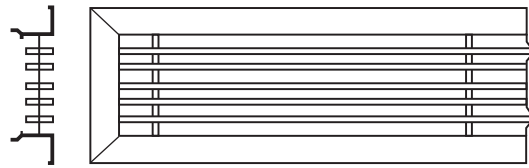


ALB70 / ALB77



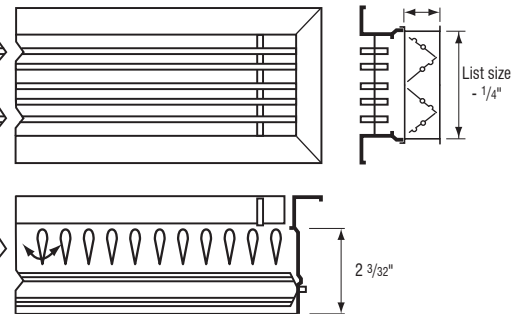
ALB70 = Grille Only

Braces set at max 11"
(with -RF max 6")



ALB77 = Grille + OBD

(Min Width 3")



ALB70-L = Grille + Air Equalizing Deflector
(Min Width 4")

ALB77-L = Grille + OBD + Air Equalizing Deflector
(Min Width 4")

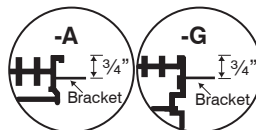
Margin Style			
<p>-A</p> <p>Listed + 9/32"</p> <p>9/16"</p> <p>Listed - 1/4"</p> <p>N/A with -3, -5, -RM, -SB</p>	<p>-B</p> <p>Listed + 7/8"</p> <p>7/8"</p> <p>Listed - 1/4"</p> <p>N/A with -5, -SB, -RM</p>	<p>-E</p> <p>Listed + 1 1/4"</p> <p>1 1/16"</p> <p>Listed - 1/4"</p> <p>N/A with -5, -SB, -RM</p>	<p>-F</p> <p>Listed + 1 3/8"</p> <p>1"</p> <p>Listed - 1/4"</p> <p>ONLY with -1, -3, -5, -RM</p>
<p>-G</p> <p>Listed - 1/4"</p> <p>3/16"</p> <p>Listed - 1/4"</p> <p>ONLY with -1, -5, -RM, -SB</p>	<p>-R</p> <p>Listed + 1 1/4"</p> <p>1 1/16"</p> <p>Listed - 1/4"</p> <p>N/A with -5, -SB, -RM</p>	<p>-T</p> <p>Listed - 1/4"</p> <p>1 1/16"</p> <p>Listed - 1 3/4"</p> <p>N/A with -2, -3, -5, -SB, -RM</p>	<p>-P Plaster-In Frame</p> <p>Listed + 1 1/4"</p> <p>Plaster</p> <p>Gyproc</p> <p>Listed - 1/4"</p> <p>ONLY with -5, -RM</p>

Fastening Method	
<p>-1 No Fastening</p> <p>N/A with -RM and frame -P</p>	<p>-2 Spring clip</p> <p>N/A with -F, -G, -P, -T</p>
<p>-3 Screw</p> <p>N/A with -A, -G, -T</p>	<p>-4 Concealed</p> <p>N/A with -F, -G, -P Min Width 4"</p>
<p>-5 Core spring clips</p> <p>Only with combined -RM and frames -F, -G, -P</p>	

Finish					
<p>/W</p> <p>White (Default)</p>	<p>/M</p> <p>Mill Finish</p>	<p>/A</p> <p>Anodized</p>	<p>/B</p> <p>Brushed Aluminum N/A with -G, -R</p>	<p>/L</p> <p>Brushed & Lacquered N/A with -G, -R</p>	<p>/C Custom (Please Specify)</p>



- Security Ceiling Wire -CW**
- Mounting Brackets for Sheetrock -SB**
(3/4" from the face) Only w/ -A -G
- Reinforced Floor Application -RF**
(6" max width recommended for high traffic, 8" max width for occasional traffic)
- Removable Core Application -RM**
Only w/ -F, -G
- Frame Gasket -GK**
- Vertical Bars -V**



Up to 1/8 inch increments without damper.
Dimensions shown contain expansion tolerances based on temperature rise of 40°F above the ambient temperature at which the material is fabricated.

Schedule Type: _____

Project: _____

Architect: _____

Engineer: _____

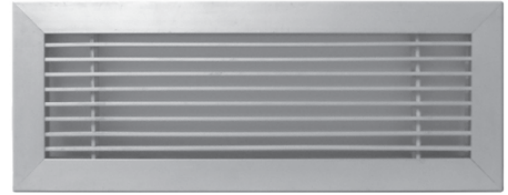
Contractor: _____

ALB80 Heavy-duty Deflected Bar Grille

Material: Extruded aluminum
Lengths over 72 inches supplied as multiple sections

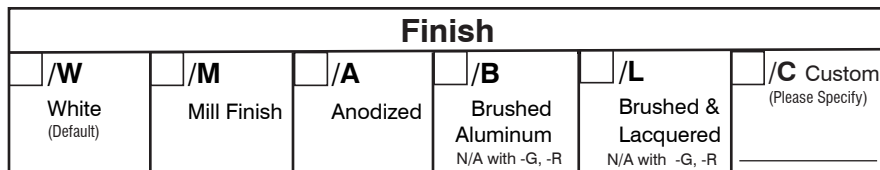
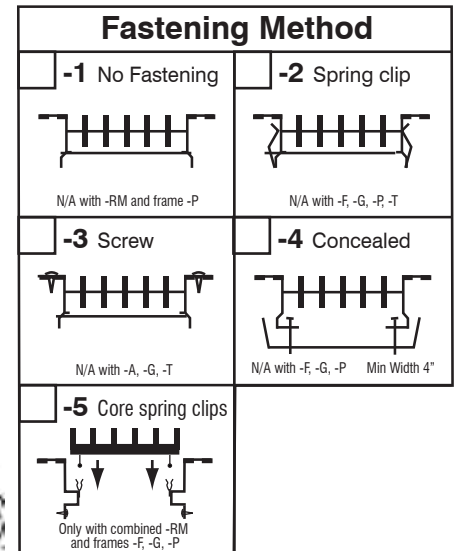
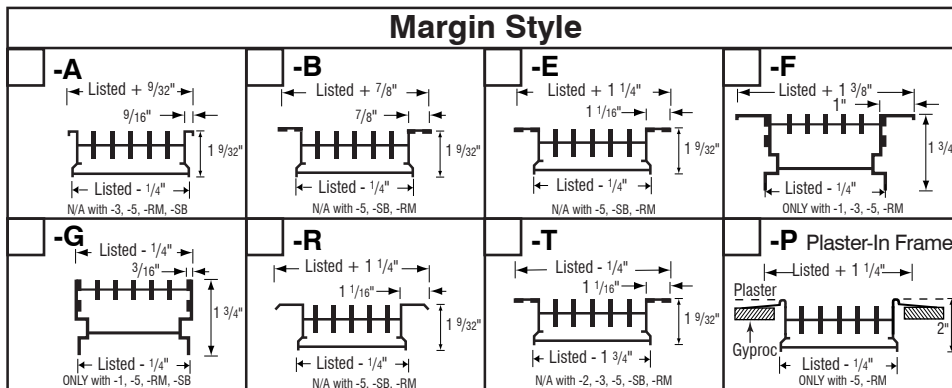
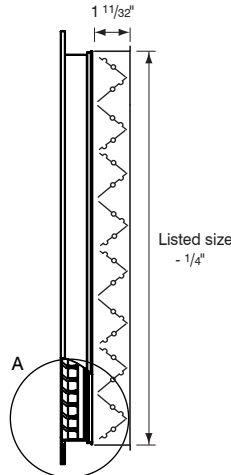
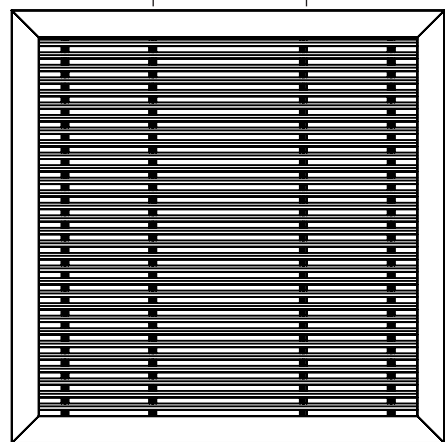
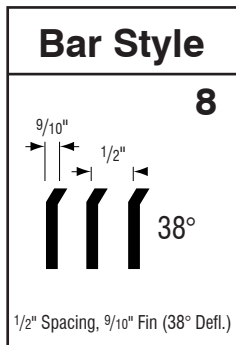
Opposed Blade Damper (optional):
Galvanized steel construction
Key-operated through grille face

Braces set at max 11"
(with -RF max 6")

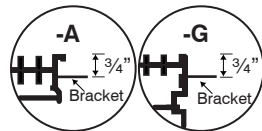


ALB80 / ALB87

- ALB80 = Grille Only
- ALB87 = Grille + OBD
(Min Width 3")
- ALB80-L = Grille
+ Air Equalizing Deflector
(Min Width 4")
- ALB87-L = Grille + OBD +
Air Equalizing Deflector
(Min Width 4")



- Security Ceiling Wire -CW
- Mounting Brackets for Sheetrock -SB
(3/4" from the face) Only w/ -A -G
- Reinforced Floor Application -RF
(6" max width recommended for high traffic, 8" max width for occasional traffic)
- Removable Core Application -RM
Only w/ -F, -G
- Frame Gasket -GK
- Vertical Bars -V
- Debris Screen or Bird Screen (1/2" x 1/2" Mesh) -DS
- Insect Screen -IS



Up to 1/8 inch increments without damper.
Dimensions shown contain expansion tolerances based on temperature rise of 40°F above the ambient temperature at which the material is fabricated.

Schedule Type: _____

Project: _____

Architect: _____

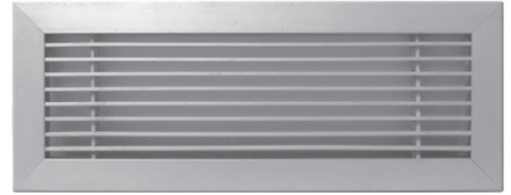
Engineer: _____

Contractor: _____

ALB80 Heavy-duty Deflected Bar Grille

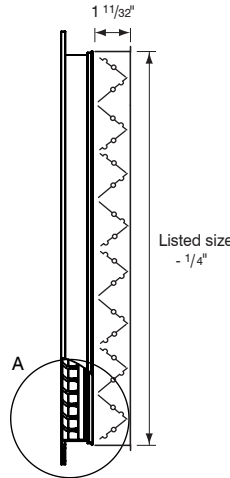
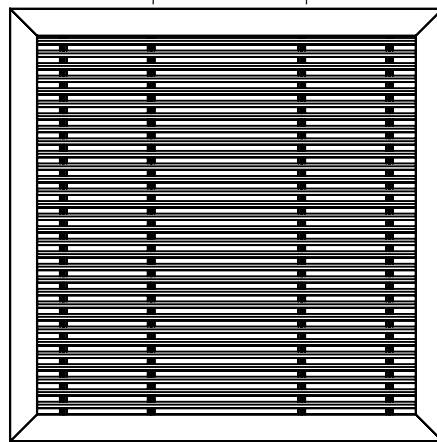
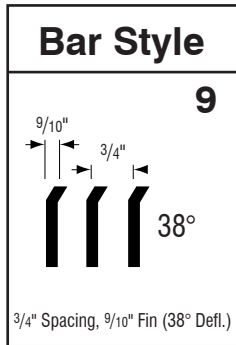
Material: Extruded aluminum
Lengths over 72 inches supplied as multiple sections

Opposed Blade Damper (optional):
Galvanized steel construction
Key-operated through grille face
Braces set at max 11"
(with -RF max 6")



ALB90 / ALB97

- ALB90 = Grille Only
- ALB97 = Grille + OBD
(Min Width 3")
- ALB90-L = Grille
+ Air Equalizing Deflector
(Min Width 4")
- ALB97-L = Grille + OBD +
Air Equalizing Deflector
(Min Width 4")



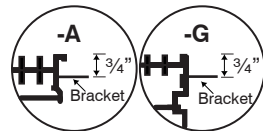
Margin Style			
<p>-A</p> <p>Listed + 9/32" 9/16" Listed - 1/4" N/A with -3, -5, -RM, -SB</p>	<p>-B</p> <p>Listed + 7/8" 7/8" Listed - 1/4" N/A with -5, -SB, -RM</p>	<p>-E</p> <p>Listed + 1 1/4" 1 1/16" Listed - 1/4" N/A with -5, -SB, -RM</p>	<p>-F</p> <p>Listed + 1 3/8" 1" Listed - 1/4" ONLY with -1, -3, -5, -RM</p>
<p>-G</p> <p>Listed - 1/4" 3/16" Listed - 1/4" ONLY with -1, -5, -RM, -SB</p>	<p>-R</p> <p>Listed + 1 1/4" 1 1/16" Listed - 1/4" N/A with -5, -SB, -RM</p>	<p>-T</p> <p>Listed - 1/4" 1 1/16" Listed - 1 3/4" N/A with -2, -3, -5, -SB, -RM</p>	<p>-P Plaster-In Frame</p> <p>Listed + 1 1/4" Plaster Gyproc Listed - 1/4" ONLY with -5, -RM</p>

Fastening Method	
<p>-1 No Fastening</p> <p>N/A with -RM and frame -P</p>	<p>-2 Spring clip</p> <p>N/A with -F, -G, -P, -T</p>
<p>-3 Screw</p> <p>N/A with -A, -G, -T</p>	<p>-4 Concealed</p> <p>N/A with -F, -G, -P Min Width 4"</p>
<p>-5 Core spring clips</p> <p>Only with combined -RM and frames -F, -G, -P</p>	

Finish					
<input type="checkbox"/> /W	<input type="checkbox"/> /M	<input type="checkbox"/> /A	<input type="checkbox"/> /B	<input type="checkbox"/> /L	<input type="checkbox"/> /C Custom (Please Specify)
White (Default)	Mill Finish	Anodized	Brushed Aluminum N/A with -G, -R	Brushed & Lacquered N/A with -G, -R	



- Security Ceiling Wire -CW
- Mounting Brackets for Sheetrock -SB
(3/4" from the face) Only w/ -A -G
- Reinforced Floor Application -RF
(6" max width recommended for high traffic, 8" max width for occasional traffic)
- Removable Core Application -RM
Only w/ -F, -G
- Frame Gasket -GK
- Vertical Bars -V
- Debris Screen or Bird Screen (1/2" x 1/2" Mesh) -DS
- Insect Screen -IS



Up to 1/8 inch increments without damper.
Dimensions shown contain expansion tolerances based on temperature rise of 40°F above the ambient temperature at which the material is fabricated.

Schedule type: _____

Job: _____

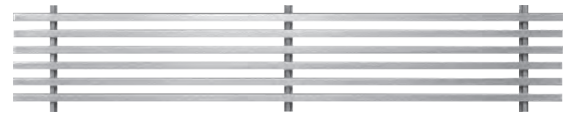
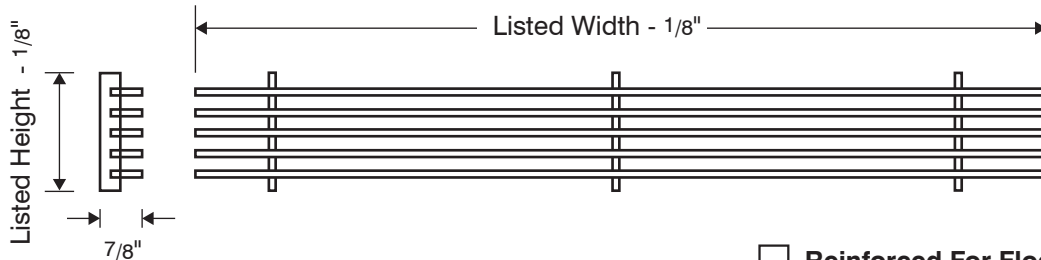
Architect: _____

Engineer: _____

Contractor: _____

ALBCO Linear Bar Grille - Core Only

Material: Extruded aluminum
 Length over 72 inches supplied as 2 or more sections


ALBCO6


Reinforced For Floor Application -RF
 (Up to 6" wide)

Mounting	
<input type="checkbox"/> -P Plaster-In Frame	

Bar Style								
<input type="checkbox"/> ALBCO1 	<input type="checkbox"/> ALBCO2 	<input type="checkbox"/> ALBCO3 	<input type="checkbox"/> ALBCO4 	<input type="checkbox"/> ALBCO5 	<input type="checkbox"/> ALBCO6 	<input type="checkbox"/> ALBCO7 	<input type="checkbox"/> ALBCO8 	<input type="checkbox"/> ALBCO9



Finish					
<input type="checkbox"/> /M Mill Finish	<input type="checkbox"/> /W White (default)	<input type="checkbox"/> /A Anodized	<input type="checkbox"/> /B Brushed	<input type="checkbox"/> /M Brushed & Lacquered	<input type="checkbox"/> /C Custom (please specify)

Schedule type: _____

Job: _____

Architect: _____

Engineer: _____

Contractor: _____

Dimensions shown contain expansion tolerances based on temperature rise of 40°F above the ambient temperature at which the material is fabricated.

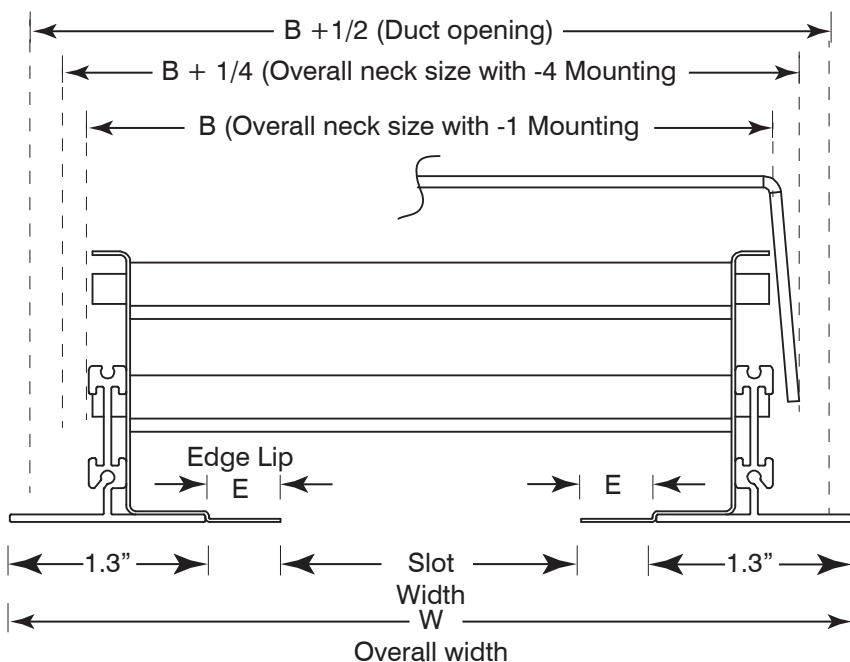
SUBMITTAL SHEET

LineAirFlow Diffuser - 1 Slot

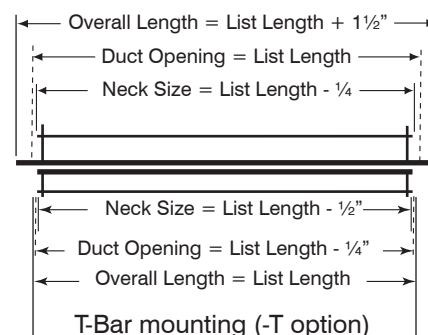
Material: Extruded aluminum construction
Mounting: Surface or Lay-in T-bar ceiling.
 Plaster-in Frame (Tape & Spackle)



ALF10 / ALF17 / ALF18
 (ALF17 shown here)



Surface mounting (-E and -P options)



Neck Size = List Length - 1/4"
 (only with -T option) Neck Size = List Length - 1/2"



Mounting		
<input type="checkbox"/> -P Plaster-In Frame 	<input type="checkbox"/> -E Surface Mounting 	<input type="checkbox"/> -T T-Bar mounting
Fastening Method		
<input type="checkbox"/> -1 No Fastening 	<input type="checkbox"/> -3 Mounting Hole Only with -3 	<input type="checkbox"/> -4 Concealed 5/8"

Option LS	
Optional Return Hool/Light Shield Model	
<input type="checkbox"/> -LS 	
Finish	
<input type="checkbox"/> /W White (Default)	<input type="checkbox"/> /C Custom (Please Specify)



✓	Slot Width	B	W	C	E	H
	1	2.55"	3.6"	1.5"	0"	3.5"
	1.5	3.55"	4.6"	1.5"	0.25"	3.5"
	2	4.55"	5.6"	1.75"	0.5"	3.5"
	2.5	5.55"	6.6"	1.75"	0.75"	3.5"
	3	6.55"	7.6"	1.75"	1"	3.5"

Schedule type: _____

Job: _____

Architect: _____

Engineer: _____

Contractor: _____

Plenums for ALF Flow Bar Diffusers and Returns with 1 Slot

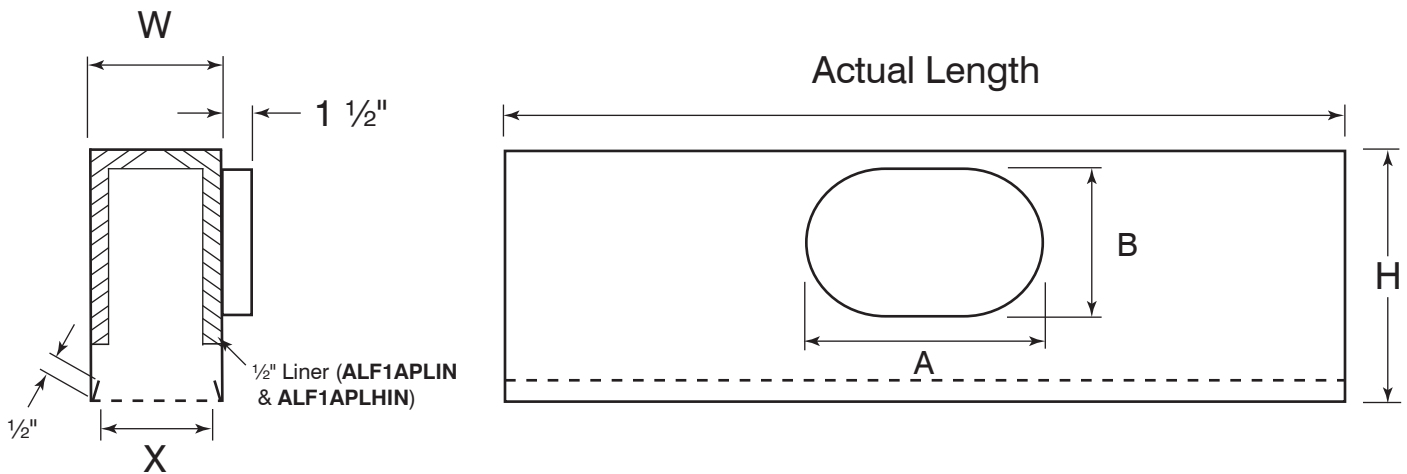
Material: 20 gauge Aluminum

ALF1APL
H = 7"

ALF1APLIN - 1/2" Liner Insulation
H = 7"

ALF1APLH
H = 10"

ALF1APLHIN - 1/2" Liner Insulation
H = 10"



✓		Inlet Size	With H=7"		With H=10"	
			A	B	A	B
	-04	4"	4"	4"	-	-
	-05	5"	5"	5"	-	-
	-06	6"	6 1/4"	5 1/4"	6"	6"
	-08	8"	9 3/8"	5 1/4"	8"	8"
	-10	10"	12 1/2"	5 1/4"	11"	8"
	-12*	12"	-	-	14 1/8"	8"
	-14*	14"	-	-	17 1/4"	8"

✓	Slots Width	W	X
	1.0	3.4	2.95
	1.5	4.4	3.95
	2.0	5.4	4.95
	2.5	6.4	5.95
	3.0	7.4	6.95

*12" & 14" oval neck available only with 11" high plenums

ALF10A/ALF18A/ALF17A Mounting

<input type="checkbox"/> -E Surface	Actual Length = Nominal Length
<input type="checkbox"/> -T T-bar Lay-in	Actual Length = Nominal Length - 1/4"
<input type="checkbox"/> -P Plaster-in	Actual Length = Nominal Length

Schedule type: _____

Job: _____

Architect: _____

Engineer: _____

Contractor: _____

Plenums for ALF Flow Bar Diffusers and Returns with 1 Slot

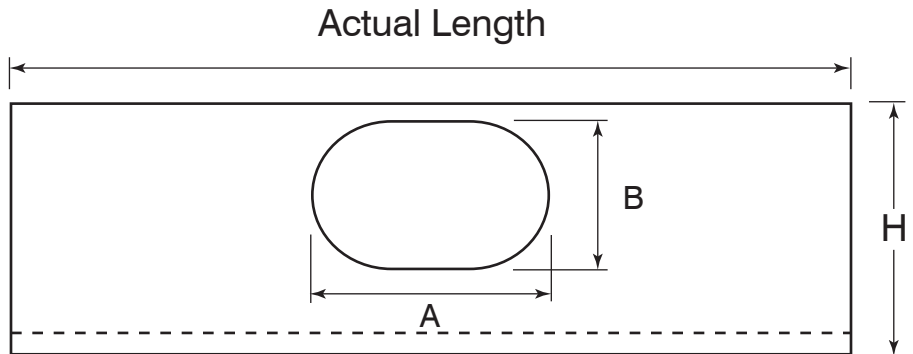
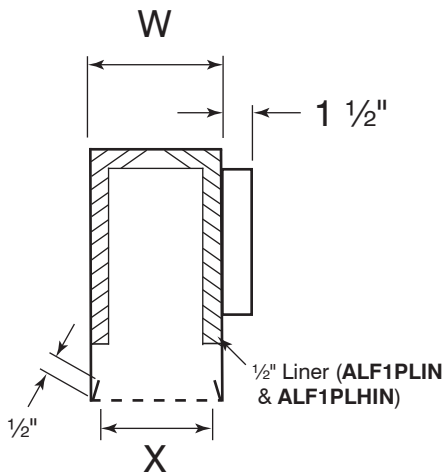
Material: 24 gauge galvanized

ALF1PL
H = 7"

ALF1PLIN - 1/2" Liner Insulation
H = 7"

ALF1PLH
H = 10"

ALF1PLHIN - 1/2" Liner Insulation
H = 10"



✓		Inlet Size	With H=7"		With H=10"	
			A	B	A	B
	-04	4"	4"	4"	-	-
	-05	5"	5"	5"	-	-
	-06	6"	6 1/4"	5 1/4"	6"	6"
	-08	8"	9 3/8"	5 1/4"	8"	8"
	-10	10"	12 1/2"	5 1/4"	11"	8"
	-12*	12"	-	-	14 1/8"	8"
	-14*	14"	-	-	17 1/4"	8"

✓	SLOTS WIDTH	W	X
	1.0	3.4	2.95
	1.5	4.4	3.95
	2.0	5.4	4.95
	2.5	6.4	5.95
	3.0	7.4	6.95

*12" & 14" oval neck available only with 11" high plenums

ALF10/ALF18/ALF17 Mounting	
<input type="checkbox"/> -E Surface	Actual Length = Nominal Length
<input type="checkbox"/> -T T-bar Lay-in	Actual Length = Nominal Length - 1/4"
<input type="checkbox"/> -P Plaster-in	Actual Length = Nominal Length

Schedule type: _____

Job: _____

Architect: _____

Engineer: _____

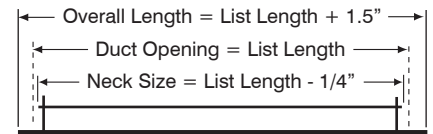
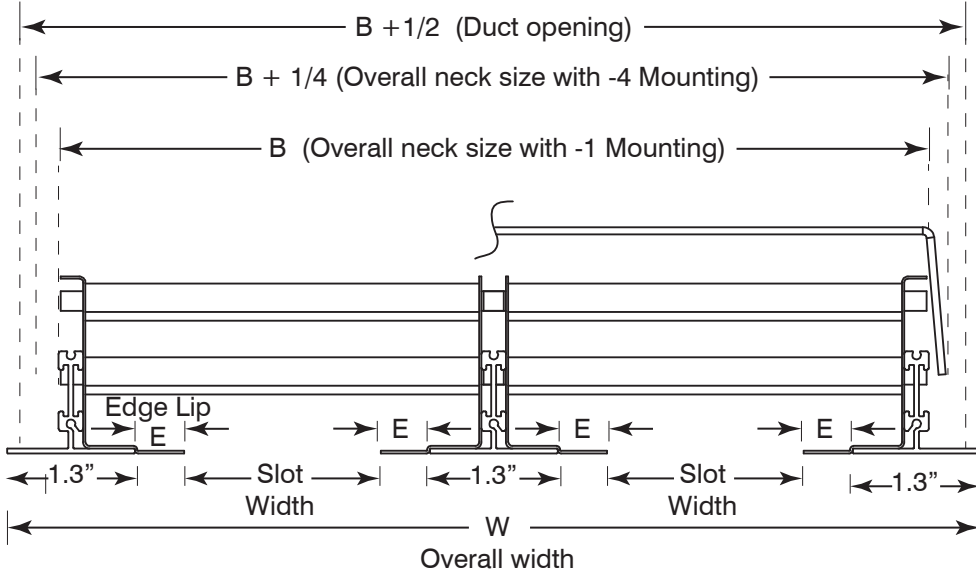
Contractor: _____

LineAirFlow Diffuser - 2 Slot

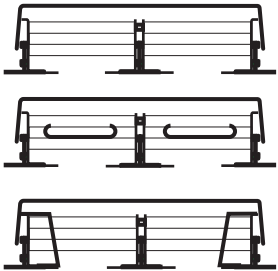
Material: Extruded aluminum construction
Mounting: Surface or Lay-in T-bar ceiling.
 Plaster-in Frame (Tape & Spackle)



ALF20 / ALF27 / ALF28
 (ALF27 shown here)



SUBMITTAL SHEET



- ALF20**
without pattern-control damper
- ALF27**
with high-flow slider
- ALF28**
with jet-flow baffles

Option LS
 Optional Return Hool/Light Shield Model

-LS

Mounting

-P Plaster-In Frame

-E Surface Mounting

Fastening Method

-1 No Fastening

-4 Concealed

Finish

/W White (Default)

/C Custom (Please Specify)



✓	SLOT WIDTH	B	W	C	E	H
	1	4.85"	5.9"	1.5"	0"	2.25"
	1.5	6.85"	7.9"	1.5"	0.25"	3.25"
	2	8.85"	9.9"	1.75"	0.5"	4.25"
	2.5	10.85"	11.9"	1.75"	0.75"	5.25"
	3	12.85"	13.9"	1.75"	1"	6.25"

Schedule type: _____

Job: _____

Architect: _____

Engineer: _____

Contractor: _____

Plenums for ALF Flow Bar Diffusers and Returns with 2 Slots

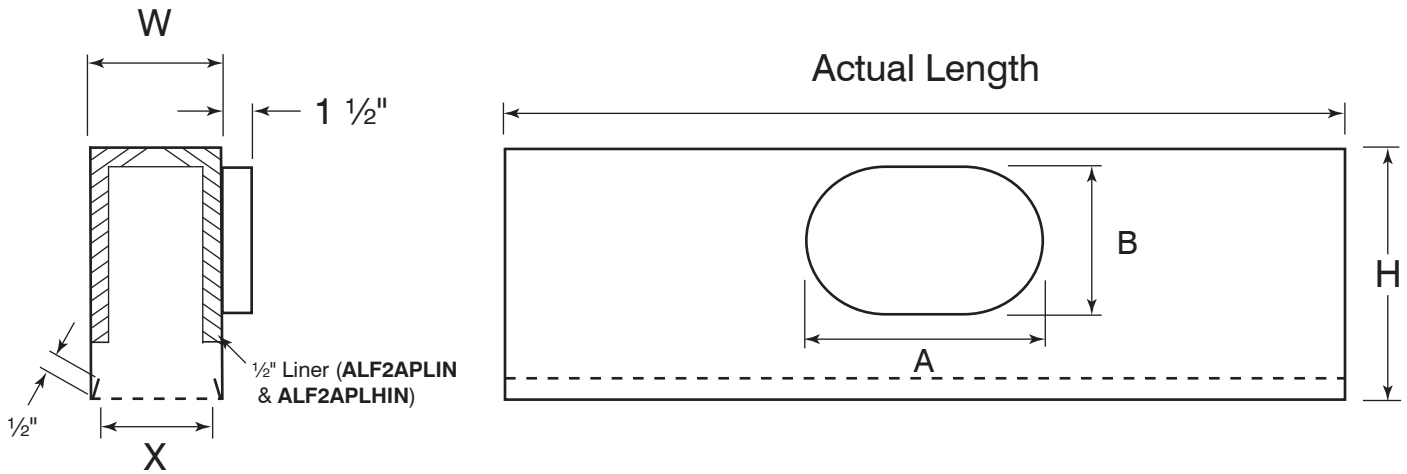
Material: 20 gauge Aluminum

ALF2APL
H = 10"

ALF2APLIN - 1/2" Liner Insulation
H = 10"

ALF2APLH
H = 16"

ALF2APLHIN - 1/2" Liner Insulation
H = 16"



✓	Inlet Size	With H=10"		With H=16"	
		A	B	A	B
	-08 8"	8"	8"	8"	8"
	-10 10"	10 15/16"	8"	10"	10"
	-12* 12"	14 3/32"	8"	12"	12"
	-14* 14"	17 1/2"	8"	14"	14"

✓	SLOTS WIDTH	W	X
	1.0	5.7	5.25
	1.5	7.7	7.25
	2.0	9.7	9.25
	2.5	11.7	11.25
	3.0	13.7	13.25

ALF20A/ALF28A/ALF27A Mounting

<input type="checkbox"/> -E Surface	Actual Length = Nominal Length
<input type="checkbox"/> -T T-bar Lay-in	Actual Length = Nominal Length - 1/4"
<input type="checkbox"/> -P Plaster-in	Actual Length = Nominal Length

Schedule type: _____

Job: _____

Architect: _____

Engineer: _____

Contractor: _____

Plenums for ALF Flow Bar Diffusers and Returns with 2 Slots

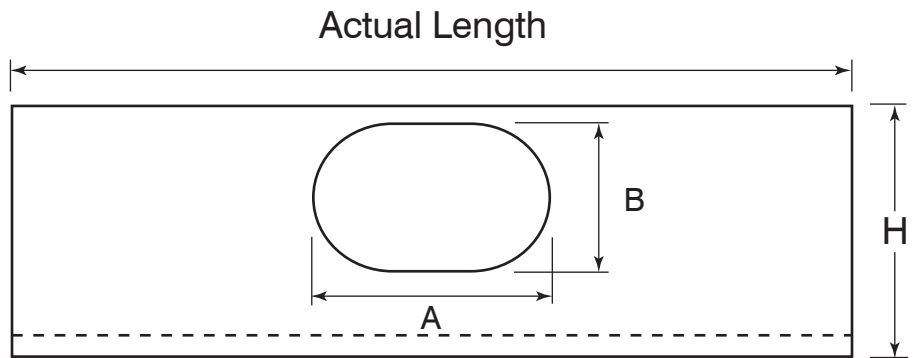
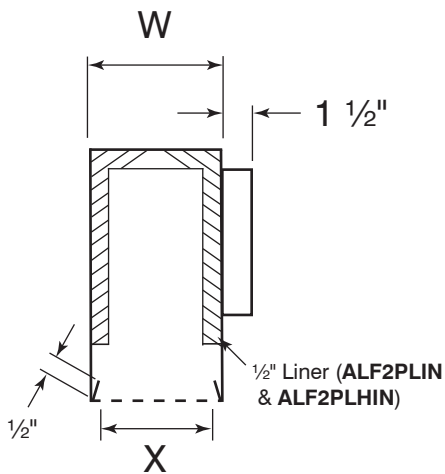
Material: 24 gauge galvanized

ALF2PL
H = 10"

ALF2PLIN - 1/2" Liner Insulation
H = 10"

ALF2PLH
H = 16"

ALF2PLHIN - 1/2" Liner Insulation
H = 16"



✓	Inlet Size	With H=10"		With H=16"	
		A	B	A	B
	-08 8"	8"	8"	8"	8"
	-10 10"	10 ¹⁵ / ₁₆ "	8"	10"	10"
	-12* 12"	14 ³ / ₃₂ "	8"	12"	12"
	-14* 14"	17 ¹ / ₂ "	8"	14"	14"

✓	SLOTS WIDTH	W	X
	1.0	5.7	5.25
	1.5	7.7	7.25
	2.0	9.7	9.25
	2.5	11.7	11.25
	3.0	13.7	13.25

ALF20/ALF28/ALF27 Mounting

<input type="checkbox"/> -E Surface	Actual Length = Nominal Length
<input type="checkbox"/> -T T-bar Lay-in	Actual Length = Nominal Length - $\frac{1}{4}"$
<input type="checkbox"/> -P Plaster-in	Actual Length = Nominal Length

Schedule type: _____

Job: _____

Architect: _____

Engineer: _____

Contractor: _____

Linear 1" Slot Diffuser

Material: Extruded aluminum construction

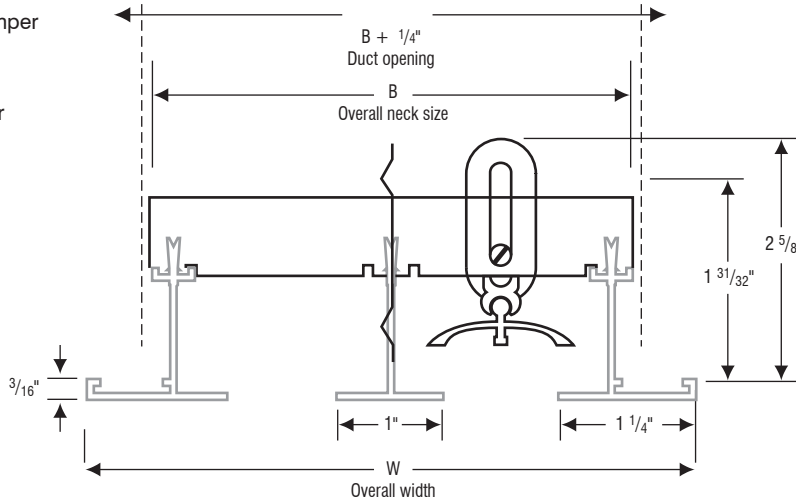
Mounting: Surface or Lay-in T-bar ceiling.



ALS10 / ALS17

ALS10
without pattern-control damper

ALS17
with pattern-control damper



Frame Gasket -GK

✓	No. OF SLOTS	B	W
	01	2 3/8"	3 17/32"
	02	4 3/8"	5 17/32"
	03	6 3/8"	7 17/32"
	04	8 3/8"	9 17/32"
	05	10 3/8"	11 17/32"
	06	12 3/8"	13 17/32"
	07	14 3/8"	15 17/32"
	08	16 3/8"	17 17/32"

Mounting

Surface mounting -E

T-bar mounting (N/A with -3) -T

Finish

/W White (Default) /C Custom (Please Specify)



Fastening Method

-1 No Fastening

-3 Screw

N/A with -T

-4 Concealed

Schedule type: _____

Job: _____

Architect: _____

Engineer: _____

Contractor: _____

Plenums for ALS10/17 - 1" Slot Diffusers and Returns

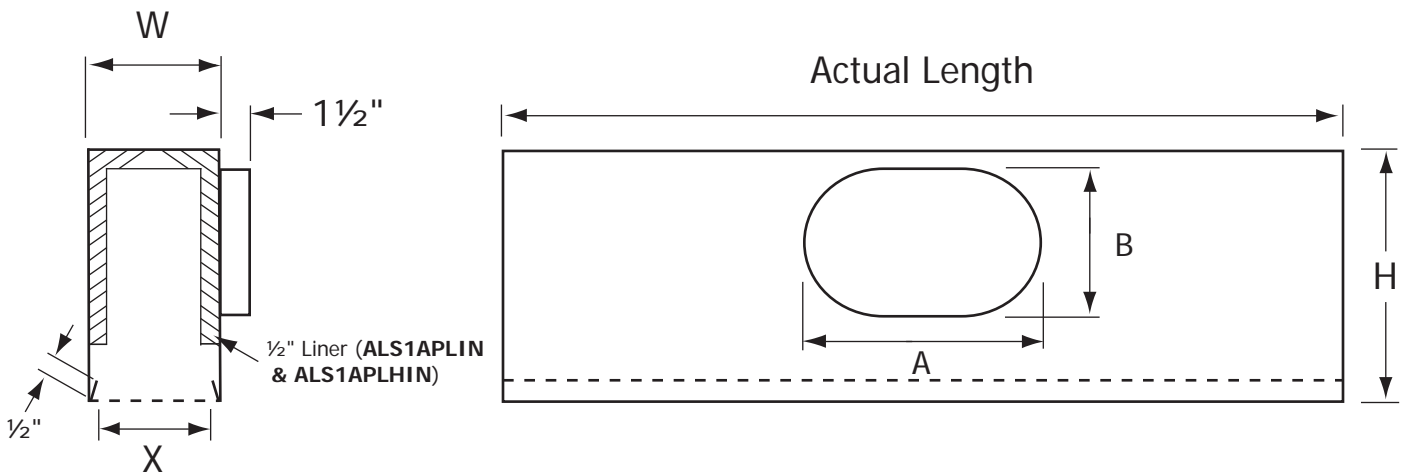
Material: 24 gauge galvalneal

ALS1APL
H = 8"

ALS1APLIN - 1/2" Liner Insulation
H = 8"

ALS1APLH
H = 11"

ALS1APLHIN - 1/2" Liner Insulation
H = 11"



ALS10/17 Mounting		
<input type="checkbox"/>	-E Surface	Actual Length = Nominal Length
<input type="checkbox"/>	-T T-Bar	Actual Length = Nominal Length - 1 1/8"

✓		Inlet Size	A	B
	-04	4"	4"	4"
	-05	5"	5"	5"
	-06	6"	6 1/4"	5 1/4"
	-08	8"	9 3/8"	5 1/4"
	-10	10"	12 1/2"	5 1/4"
	-12*	12"	14 1/8"	7 7/8"

* 12" oval neck available only with 11" high plenums

✓	NO. OF SLOTS	W	X
	01	3"	2 5/8"
	02	5"	4 5/8"
	03	7"	6 5/8"
	04	9"	8 5/8"
	05	11"	10 5/8"
	06	13"	12 5/8"
	07	15"	14 5/8"
	08	17"	16 5/8"

Schedule type: _____
Job: _____
Architect: _____
Engineer: _____
Contractor: _____

SUBMITTAL SHEET

Linear 1" Slot Diffuser - L-Shape

Material: Extruded aluminum construction

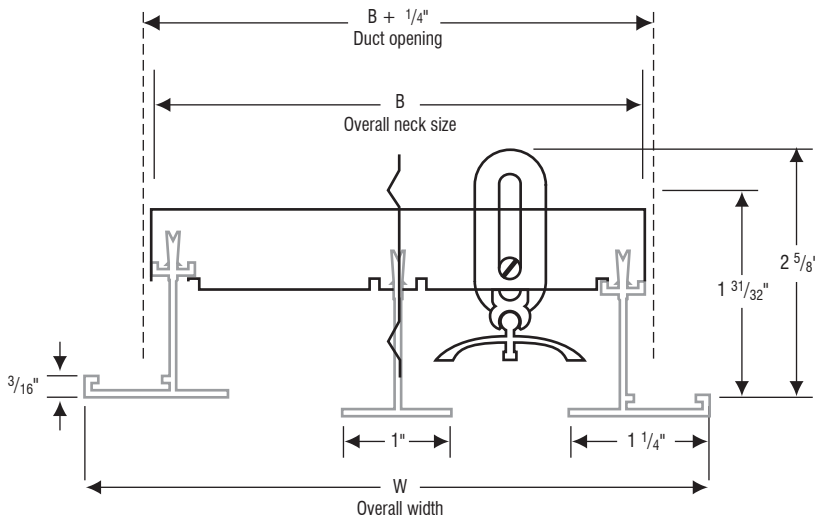
Mounting: Surface or Lay-in T-bar ceiling.

ALS10 (x=0)
without pattern-control damper

ALS17 (x=7)
with pattern-control damper



ALS10 / ALS17
(ALS17 two slots shown here)
Corner Section
(No deflector in corner section)



✓	NO. OF SLOTS	B	W	C
	01	2 3/8"	3 17/32"	12"
	02	4 3/8"	5 17/32"	12"
	03	6 3/8"	7 17/32"	12"
	04	8 3/8"	9 17/32"	16"
	05	10 3/8"	11 17/32"	16"
	06	12 3/8"	13 17/32"	20"
	07	14 3/8"	15 17/32"	20"
	08	16 3/8"	17 17/32"	24"

Frame Gasket -GK (gg=GK)

Dimension

H (in inches): _____"
L (in inches): _____"
D (in degrees): _____°

Dimension Type (dd=FS, dd=LS or dd=NS)

<input type="checkbox"/> -FS Face Size	<input type="checkbox"/> -LS List Size	<input type="checkbox"/> -NS Exact Neck Size
--	--	--

Supplied in species as follows:
 1 pc. ALSEC1x-m-f-gg-dd HH #S /Finish
 1 pc. ALSEC1x-m-f-gg-dd LL #S /Finish
 1 pc. ALSMC1-m-f-gg-dd DD #S /Finish

Mounting (m=E)

Surface mounting **-E**

Fastening Method (f=1, f=3 or f=4)

No Fastening -1	Screw -3	Concealed -4
	 N/A with -T	

Finish

<input type="checkbox"/> /W White (default)	<input type="checkbox"/> /C Custom (please specify)
---	---



Schedule type: _____

Job: _____

Architect: _____

Engineer: _____

Contractor: _____

Linear 1" Slot Diffuser - L-Shape

Material: Extruded aluminum construction

Mounting: Surface or Lay-in T-bar ceiling.

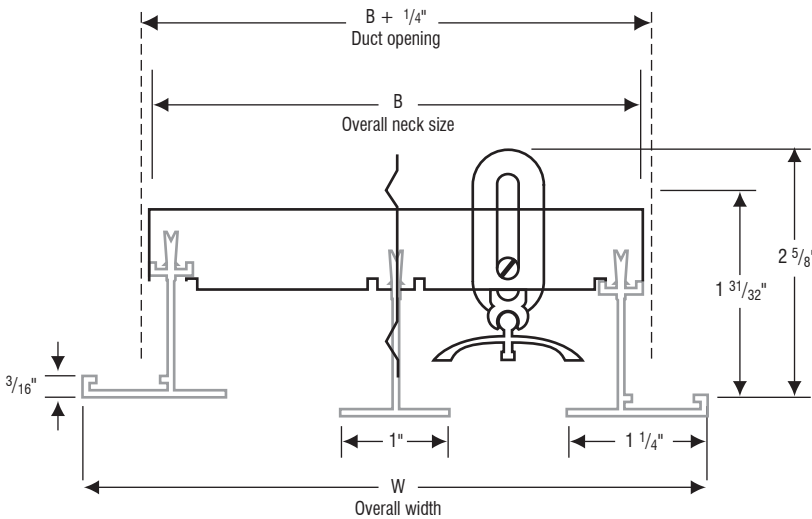


SUBMITTAL SHEET

ALS10 (x=0)
without pattern-control damper

ALS17 (x=7)
with pattern-control damper

ALS10 / ALS17
(ALS17 two slots shown here)

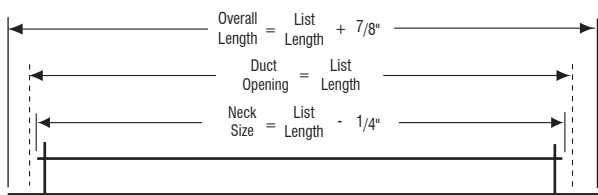


<input checked="" type="checkbox"/>	NO. OF SLOTS #S	B	W
	01	2 3/8"	3 17/32"
	02	4 3/8"	5 17/32"
	03	6 3/8"	7 17/32"
	04	8 3/8"	9 17/32"
	05	10 3/8"	11 17/32"
	06	12 3/8"	13 17/32"
	07	14 3/8"	15 17/32"
	08	16 3/8"	17 17/32"

Frame Gasket -GK (gg=GK)

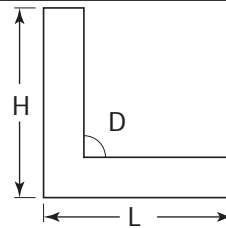
Mounting (m=E)

Surface mounting



-E

Dimension



H (in inches): _____"

L (in inches): _____"

D (in degrees): _____°

Dimension Type (dd=FS, dd=LS or dd=NS)

<input type="checkbox"/> -FS Face Size	<input type="checkbox"/> -LS List Size	<input type="checkbox"/> -NS Exact Neck Size
--	--	--

Yields the following:

- 1 pc. ALSEC1x-m-f-gg-dd HH #S /Finish
- 1 pc. ALSEC1x-m-f-gg-dd LL #S /Finish
- 1 pc. ALSMC1-m-f-gg-dd DD #S /Finish

Fastening Method (f=1, f=3 or f=4)

No Fastening -1	Screw -3	Concealed -4
	 N/A with -T	

Finish

<input type="checkbox"/> /W White (default)	<input type="checkbox"/> /C Custom (please specify)
---	---



Schedule type: _____

Job: _____

Architect: _____

Engineer: _____

Contractor: _____

Plenums for ALS10/17 - 1" Slot Diffusers and Returns

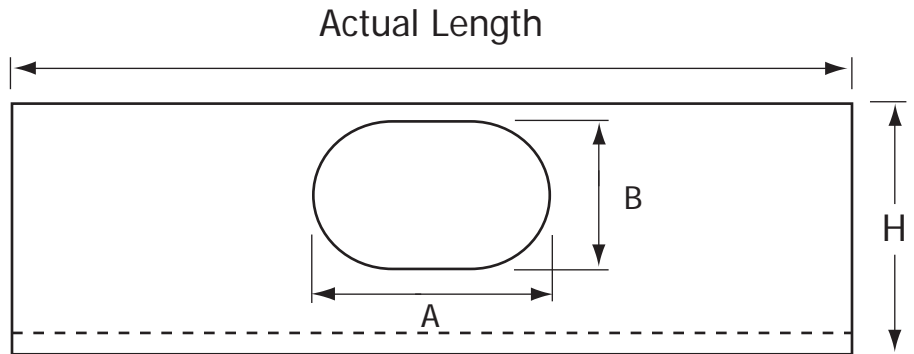
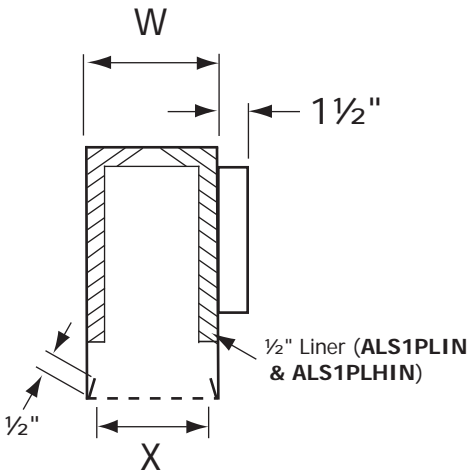
Material: 24 gauge galvanized steel

ALS1PL
H = 8"

ALS1PLIN - 1/2" Liner Insulation
H = 8"

ALS1PLH
H = 11"

ALS1PLHIN - 1/2" Liner Insulation
H = 11"



ALS10/17 Mounting		
<input type="checkbox"/> -E Surface	Actual Length =	Nominal Length
<input type="checkbox"/> -T T-Bar	Actual Length =	Nominal Length - 1 1/8"

✓		Inlet Size	A	B
	-04	4"	4"	4"
	-05	5"	5"	5"
	-06	6"	6 1/4"	5 1/4"
	-08	8"	9 3/8"	5 1/4"
	-10	10"	12 1/2"	5 1/4"
	-12*	12"	14 1/8"	7 7/8"

* 12" oval neck available only with 11" high plenums

✓	NO. OF SLOTS	W	X
	01	3"	2 5/8"
	02	5"	4 5/8"
	03	7"	6 5/8"
	04	9"	8 5/8"
	05	11"	10 5/8"
	06	13"	12 5/8"
	07	15"	14 5/8"
	08	17"	16 5/8"

Schedule type: _____

Job: _____

Architect: _____

Engineer: _____

Contractor: _____

Plenums for ALS10SPL/17SPL - 1" Slot Diffusers and Returns

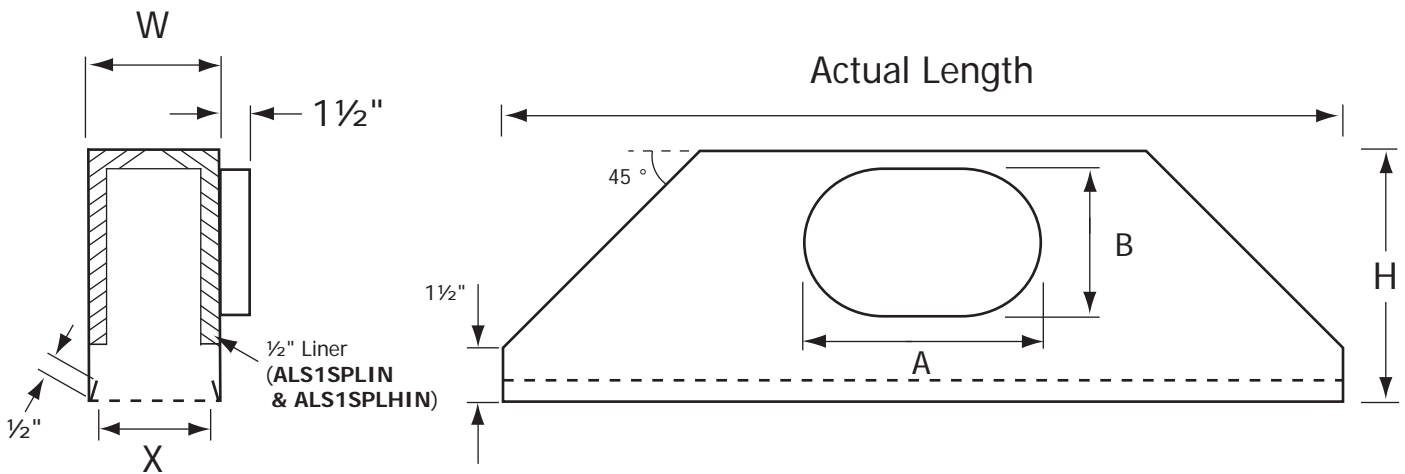
Material: 24 gauge galvalneal

ALS1SPL
H = 8"

ALS1SPLIN - 1/2" Liner Insulation
H = 8"

ALS1SPLH
H = 11"

ALS1SPLHIN - 1/2" Liner Insulation
H = 11"



ALS10/17 Mounting		
<input type="checkbox"/> -E Surface	Actual Length =	Nominal Length
<input type="checkbox"/> -T T-Bar	Actual Length =	Nominal Length - 1 1/8"

✓		Inlet Size	A	B
	-04	4"	4"	4"
	-05	5"	5"	5"
	-06	6"	6 1/4"	5 1/4"
	-08	8"	9 3/8"	5 1/4"
	-10	10"	12 1/2"	5 1/4"
	-12*	12"	14 1/8"	7 7/8"

* 12" oval neck available only with 11" high plenums

✓	NO. OF SLOTS	W	X
	01	3"	2 5/8"
	02	5"	4 5/8"
	03	7"	6 5/8"
	04	9"	8 5/8"
	05	11"	10 5/8"
	06	13"	12 5/8"
	07	15"	14 5/8"
	08	17"	16 5/8"

Schedule type: _____
Job: _____
Architect: _____
Engineer: _____
Contractor: _____

Linear 1/2" Slot Diffuser

Material: Extruded aluminum construction

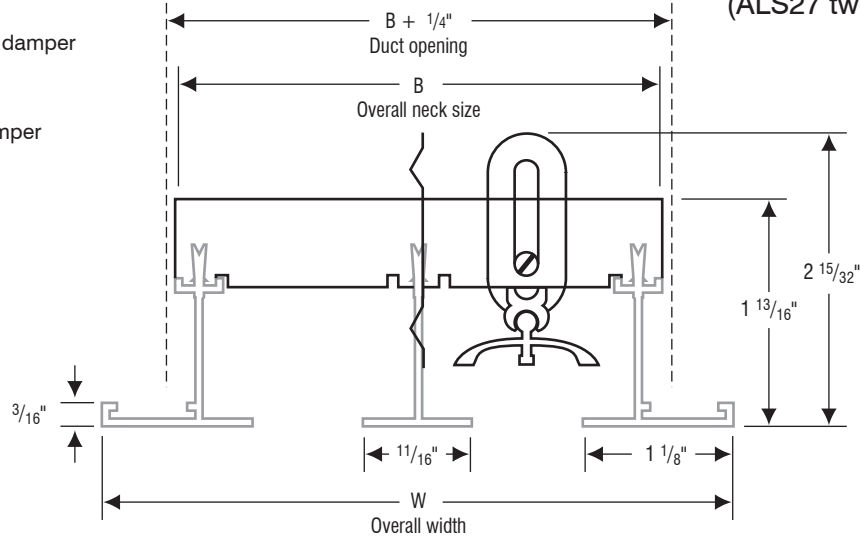
Mounting: Surface or Lay-in T-bar ceiling



ALS20 / ALS27
(ALS27 two slots shown here)

ALS20
without pattern-control damper

ALS27
with pattern-control damper



Frame Gasket -GK

Mounting	
Surface mounting	-E <input type="checkbox"/>
T-bar mounting (N/A with -3)	-T <input type="checkbox"/>

✓	NO. OF SLOTS	B	W
	01	1 9/16"	2 23/32"
	02	2 3/4"	3 29/32"
	03	3 15/16"	5 3/32"
	04	5 1/8"	6 9/32"
	05	6 5/16"	7 15/32"
	06	7 1/2"	8 21/32"
	07	8 11/16"	9 27/32"
	08	9 7/8"	11 1/32"

Fastening Method		
-1 No Fastening	-3 Screw	-4 Concealed
	 N/A with -T	

Finish	
<input type="checkbox"/> /W White (Default)	<input type="checkbox"/> /C Custom (Please Specify) _____



Schedule type: _____

Job: _____

Architect: _____

Engineer: _____

Contractor: _____

Plenums for ALS20/27 - 1/2" Slot Diffusers and Returns

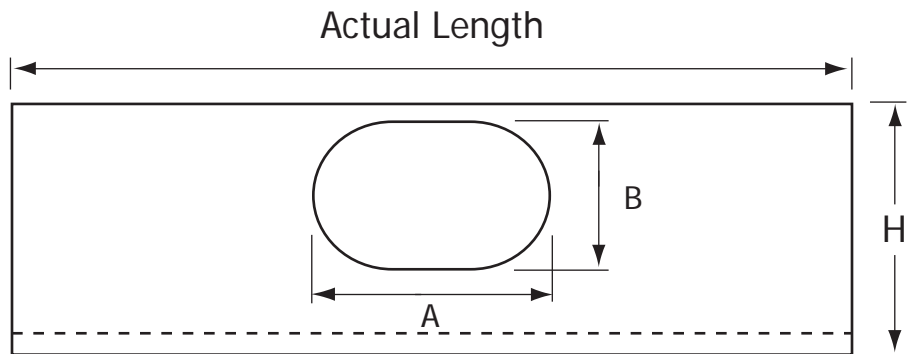
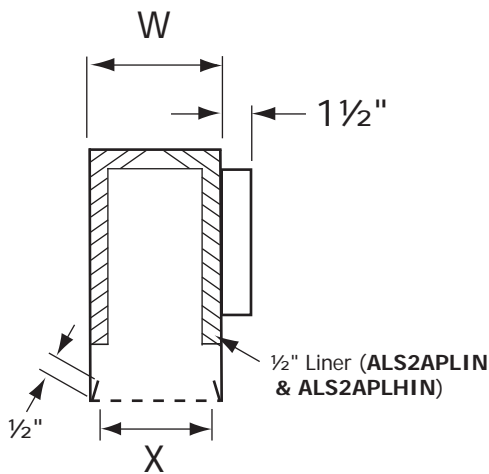
Material: 20 gauge aluminum

ALS2PL
H = 8"

ALS2PLIN - 1/2" Liner Insulation
H = 8"

ALS2PLH
H = 11"

ALS2PLHIN - 1/2" Liner Insulation
H = 11"



ALS20/27 Mounting	
<input type="checkbox"/> -E Surface	Actual Length = Nominal Length
<input type="checkbox"/> -T T-Bar	Actual Length = Nominal Length - $1\frac{1}{8}$ "

✓		Inlet Size	A	B
	-04	4"	4"	4"
	-05	5"	5"	5"
	-06	6"	6 $\frac{1}{4}$ "	5 $\frac{1}{4}$ "
	-08	8"	9 $\frac{3}{8}$ "	5 $\frac{1}{4}$ "
	-10	10"	12 $\frac{1}{2}$ "	5 $\frac{1}{4}$ "
	-12*	12"	14 $\frac{1}{8}$ "	7 $\frac{7}{8}$ "

* 12" oval neck available only with 11" high plenums

✓	NO. OF SLOTS	W	X
			1 $\frac{13}{16}$ "
			3"
			4 $\frac{3}{16}$ "
			5 $\frac{3}{8}$ "
			6 $\frac{9}{16}$ "
			7 $\frac{3}{4}$ "
			8 $\frac{15}{16}$ "
			10 $\frac{1}{8}$ "

Schedule type: _____

Job: _____

Architect: _____

Engineer: _____

Contractor: _____

Plenums for ALS20/27 - 1/2" Slot Diffusers and Returns

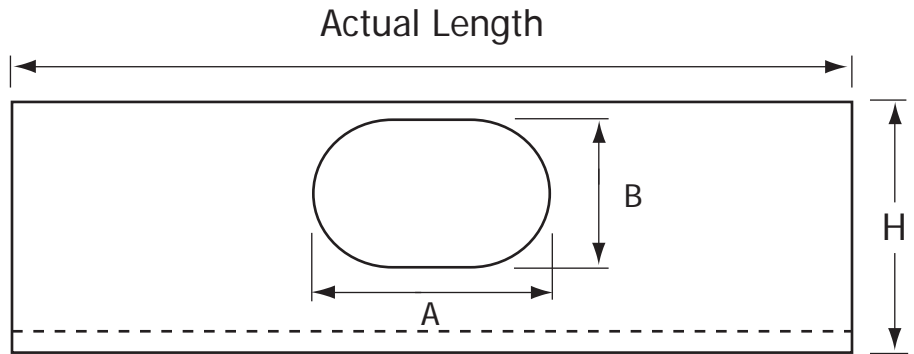
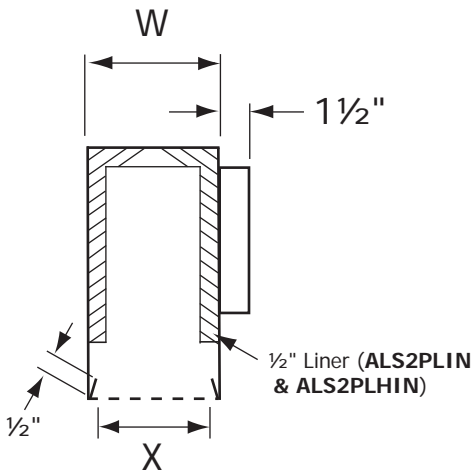
Material: 24 gauge galvalneal

ALS2PL
H = 8"

ALS2PLIN - 1/2" Liner Insulation
H = 8"

ALS2PLH
H = 11"

ALS2PLHIN - 1/2" Liner Insulation
H = 11"



ALS20/27 Mounting	
<input type="checkbox"/> -E Surface	Actual Length = Nominal Length
<input type="checkbox"/> -T T-Bar	Actual Length = Nominal Length - 1 1/8"

✓		Inlet Size	A	B
	-04	4"	4"	4"
	-05	5"	5"	5"
	-06	6"	6 1/4"	5 1/4"
	-08	8"	9 3/8"	5 1/4"
	-10	10"	12 1/2"	5 1/4"
	-12*	12"	14 1/8"	7 7/8"

* 12" oval neck available only with 11" high plenums

✓	NO. OF SLOTS	W	X
			1 13/16"
			3"
			4 3/16"
			5 3/8"
			6 9/16"
			7 3/4"
			8 15/16"
			10 1/8"

Schedule type: _____

Job: _____

Architect: _____

Engineer: _____

Contractor: _____

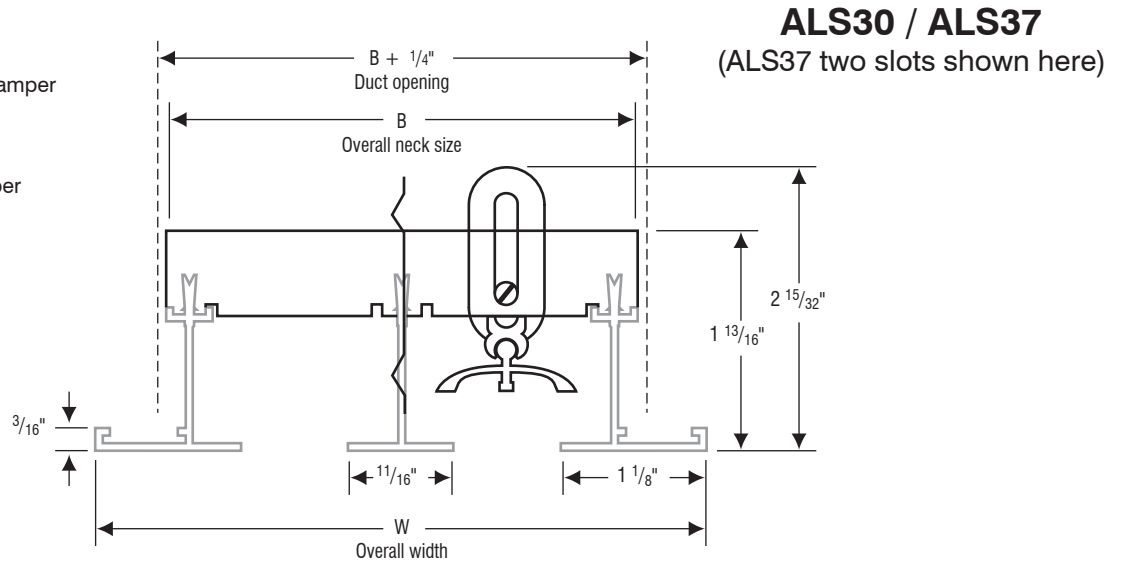
Linear 3/4" Slot Diffuser



SUBMITTAL SHEET

Material: Extruded aluminum construction
Mounting: Surface or Lay-in T-bar ceiling.

- ALS30**
without pattern-control damper
- ALS37**
with pattern-control damper


 Frame Gasket -GK

Mounting	
Surface mounting	-E <input type="checkbox"/>
T-bar mounting (N/A with -3)	-T <input type="checkbox"/>

✓	NO. OF SLOTS	B	W
	01	1 13/16"	2 31/32"
	02	3 1/4"	4 13/32"
	03	4 11/16"	5 27/32"
	04	6 1/8"	7 9/32"
	05	7 9/16"	8 23/32"
	06	9"	10 5/32"
	07	10 7/16"	11 19/32"
	08	11 7/8"	13 1/32"

Fastening Method		
<input type="checkbox"/> -1 No Fastening 	<input type="checkbox"/> -3 Screw N/A with -T	<input type="checkbox"/> -4 Concealed

Finish	
<input type="checkbox"/> /W White (Default)	<input type="checkbox"/> /C Custom (Please Specify)



Schedule type: _____

Job: _____

Architect: _____

Engineer: _____

Contractor: _____

Plenums for ALS30/37 - 3/4" Slot Diffusers and Returns

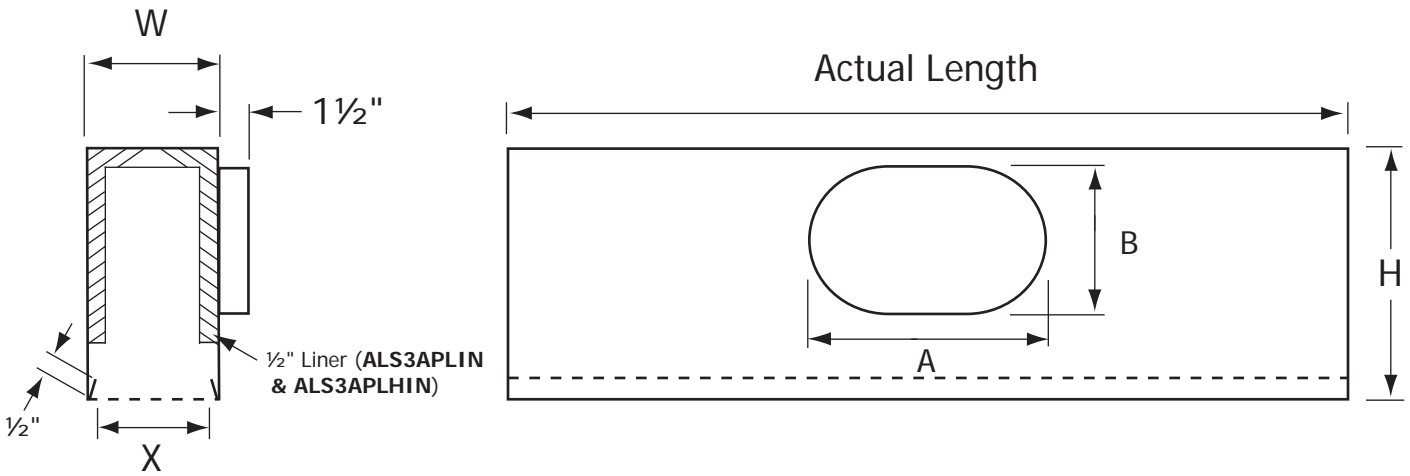
Material: 20 gauge aluminum

ALSA3APL
H = 8"

ALS3APLIN - 1/2" Liner Insulation
H = 8"

ALSA3APLH
H = 11"

ALS3APLHIN - 1/2" Liner Insulation
H = 11"



ALS30/37 Mounting		
<input type="checkbox"/> -E Surface	Actual Length =	Nominal Length
<input type="checkbox"/> -T T-Bar	Actual Length =	Nominal Length - 1 1/8"

✓		Inlet Size	A	B
	-04	4"	4"	4"
	-05	5"	5"	5"
	-06	6"	6 1/4"	5 1/4"
	-08	8"	9 3/8"	5 1/4"
	-10	10"	12 1/2"	5 1/4"
	-12*	12"	14 1/8"	7 7/8"

* 12" oval neck available only with 11" high plenums

✓	NO. OF SLOTS	W	X
	01	2 7/16"	2 1/16"
	02	3 3/8"	3 1/2"
	03	5 5/16"	4 15/16"
	04	6 3/4"	6 3/8"
	05	8 3/16"	7 3/16"
	06	9 5/8"	9 1/4"
	07	11 1/16"	10 11/16"
	08	12 1/2"	12 7/8"

Schedule type: _____

Job: _____

Architect: _____

Engineer: _____

Contractor: _____

Plenums for ALS30/37 - 3/4" Slot Diffusers and Returns

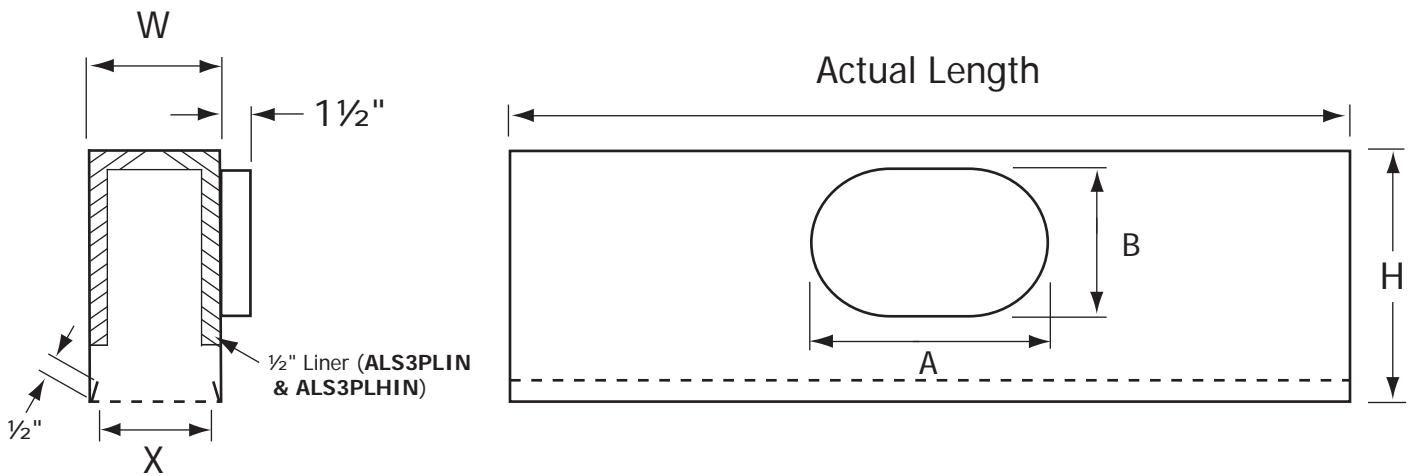
Material: 24 gauge galvalneal

ALS3PL
H = 8"

ALS3PLIN - 1/2" Liner Insulation
H = 8"

ALS3PLH
H = 11"

ALS3PLHIN - 1/2" Liner Insulation
H = 11"



ALS30/37 Mounting	
<input type="checkbox"/> -E Surface	Actual Length = Nominal Length
<input type="checkbox"/> -T T-Bar	Actual Length = Nominal Length - 1 1/8"

✓		Inlet Size	A	B
	-04	4"	4"	4"
	-05	5"	5"	5"
	-06	6"	6 1/4"	5 1/4"
	-08	8"	9 3/8"	5 1/4"
	-10	10"	12 1/2"	5 1/4"
	-12*	12"	14 1/8"	7 7/8"

* 12" oval neck available only with 11" high plenums

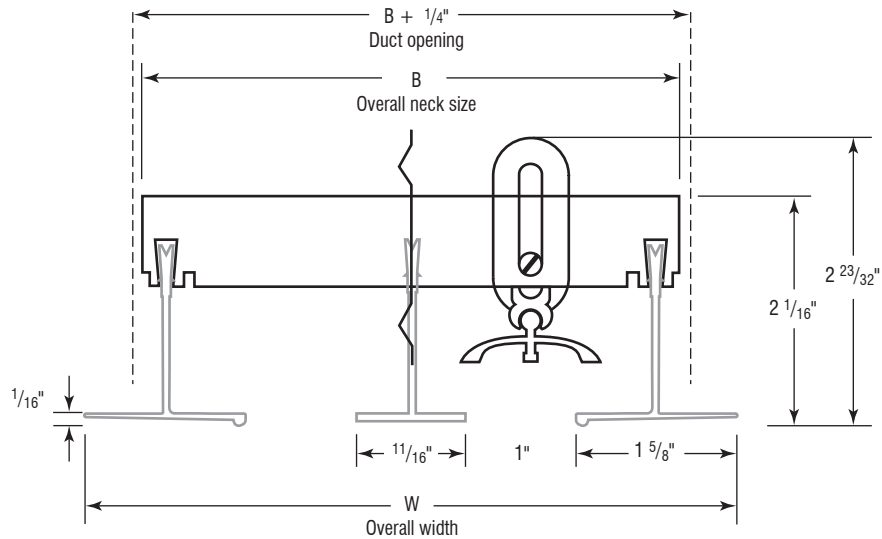
✓	NO. OF SLOTS	W	X
	01	2 7/16"	2 1/16"
	02	3 3/8"	3 1/2"
	03	5 5/16"	4 15/16"
	04	6 3/4"	6 3/8"
	05	8 3/16"	7 13/16"
	06	9 5/8"	9 1/4"
	07	11 1/16"	10 11/16"
	08	12 1/2"	12 7/8"

Schedule type: _____
Job: _____
Architect: _____
Engineer: _____
Contractor: _____

Linear 3/4" Slot Diffuser

Material: Extruded aluminum construction.
Mounting: Plaster-in or Mud-in mounting.

- ALS30-P**
without pattern-control damper
- ALS37-P**
with pattern-control damper



Style	
mud-in mounting	-P <input type="checkbox"/>
<div style="display: flex; justify-content: space-between;"> <div style="width: 80%;"> <p>Overall Length = List Length + 3/4"</p> <p>Duct Opening = List Length</p> <p>Neck Size = List Length - 1/4"</p> </div> <div style="width: 15%; text-align: right;"> </div> </div>	

	NO. OF SLOTS	B	W
✓	01	$6 \frac{5}{32}$ "	$7 \frac{5}{8}$ "

Fastening Method	
<input type="checkbox"/> -1 No Fastening 	<input type="checkbox"/> -3 Mounting Hole

Finish	
<input type="checkbox"/> /W White (Default)	<input type="checkbox"/> /C Custom (Please Specify)



Schedule type: _____

Job: _____

Architect: _____

Engineer: _____

Contractor: _____

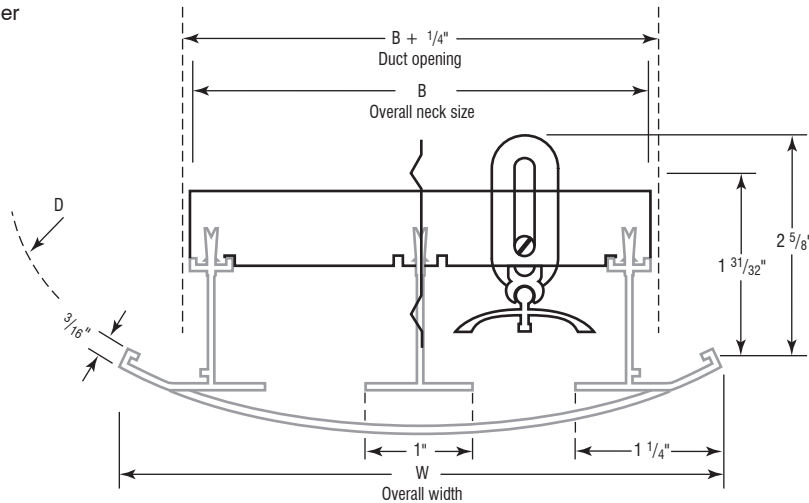
Linear 1" Slot Diffuser for Round Ducts

Material: Extruded aluminum construction

Mounting: Surface for round ducts

ALSD10
without pattern-control damper

ALSD17
with pattern-control damper

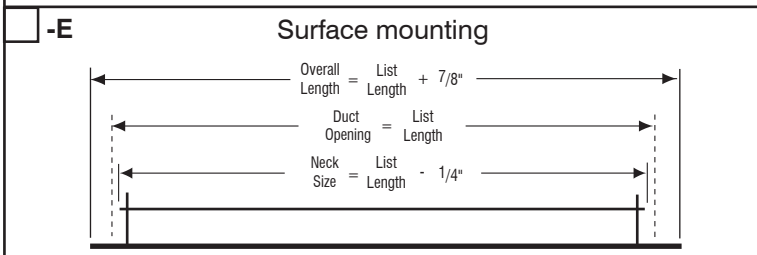


Frame Gasket -GK

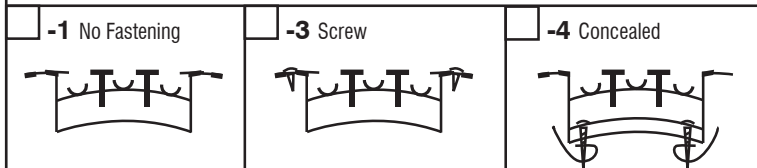
✓	NO. OF SLOTS	B	W
	01	2 ³ / ₈ "	3 ¹⁷ / ₃₂ "
	02	4 ³ / ₈ "	5 ¹⁷ / ₃₂ "
	03	6 ³ / ₈ "	7 ¹⁷ / ₃₂ "
	04	8 ³ / ₈ "	9 ¹⁷ / ₃₂ "

✓	Duct D	Duct cut out opening			
		1 slot	2 slots	3 slots	4 slots
	10	2 ³ / ₈ "	4 1/2"		
	12	2 ³ / ₈ "	4 1/2"	6 3/4"	
	14	2 ³ / ₈ "	4 1/2"	6 5/8"	9"
	16	2 ³ / ₈ "	4 1/2"	6 1/2"	8 3/4"
	18	2 ³ / ₈ "	4 3/8"	6 1/2"	8 3/4"
	20	2 ³ / ₈ "	4 3/8"	6 1/2"	8 5/8"
	24	2 ³ / ₈ "	4 3/8"	6 1/2"	8 1/2"
	30	2 ³ / ₈ "	4 3/8"	6 3/8"	8 1/2"
	40&over	2 ³ / ₈ "	4 3/8"	6 3/8"	8 3/8"

Mounting dimensions (length)



Fastening Method



Finish

/W White (Default)

/C Custom (Please Specify)



Schedule type: _____

Job: _____

Architect: _____

Engineer: _____

Contractor: _____

SUBMITTAL SHEET

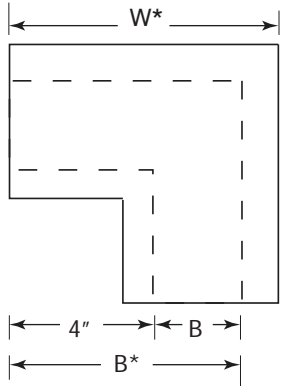
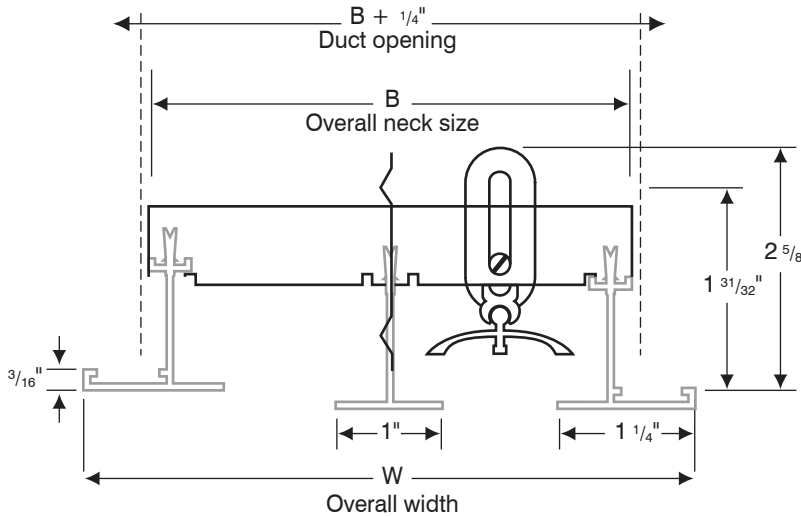
Linear 1" Slot Diffuser - Mitered Corner

Material: Extruded aluminum construction

Mounting: Surface or Lay-in T-bar ceiling.



ALSMC1



Frame Gasket -GK

✓	NO. OF SLOTS	B	W	B*	W*
	01	2 3/8"	3 17/32"	6 3/8"	6 61/64"
	02	4 3/8"	5 17/32"	8 3/8"	8 61/64"
	03	6 3/8"	7 17/32"	10 3/8"	10 61/64"
	04	8 3/8"	9 17/32"	12 3/8"	12 61/64"
	05	10 3/8"	11 17/32"	14 3/8"	14 61/64"
	06	12 3/8"	13 17/32"	16 3/8"	16 61/64"
	07	14 3/8"	15 17/32"	18 3/8"	18 61/64"
	08	16 3/8"	17 17/32"	20 3/8"	20 61/64"

Mounting	
<input type="checkbox"/> -E Surface mounting	<input type="checkbox"/> -T T-bar mounting (N/A with -3)

Fastening Method		
<input type="checkbox"/> -1 No Fastening	<input type="checkbox"/> -3 Screw N/A with -T	<input type="checkbox"/> -4 Concealed

Finish	
<input type="checkbox"/> /W White (Default)	<input type="checkbox"/> /C Custom (Please Specify)



Schedule type: _____

Job: _____

Architect: _____

Engineer: _____

Contractor: _____

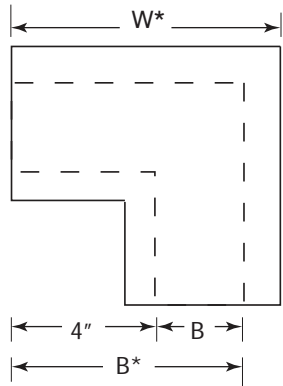
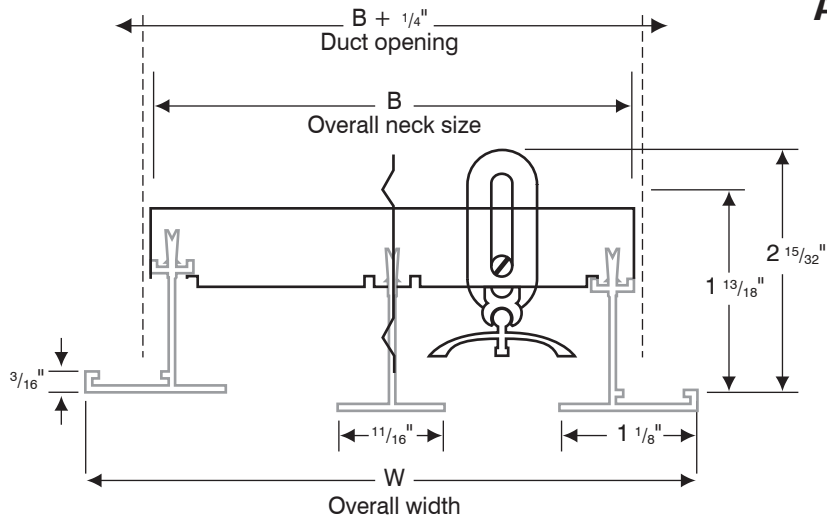
Linear 1/2" Slot Diffuser - Mitered Corner

Material: Extruded aluminum construction

Mounting: Surface or Lay-in T-bar ceiling.



SUBMITTAL SHEET

ALSMC2

 Frame Gasket -GK

✓	NO. OF SLOTS	B	W	B*	W*
	01	1 9/16"	2 23/32"	5 9/16"	6 9/64"
	02	2 3/4"	3 29/32"	6 3/4"	7 21/64"
	03	3 15/16"	5 3/32"	7 15/16"	8 33/64"
	04	5 1/8"	6 9/32"	9 1/8"	9 45/64"
	05	6 15/16"	7 15/32"	10 15/16"	11 33/64"
	06	7 1/2"	8 21/32"	11 1/2"	12 5/64"
	07	8 11/16"	9 27/32"	12 11/16"	13 3/10"
	08	9 7/8"	11 1/32"	13 7/8"	14 39/64"

Finish	
<input type="checkbox"/> /W White (Default)	<input type="checkbox"/> /C Custom (Please Specify)



Mounting	
<input type="checkbox"/> -E Surface mounting	<input type="checkbox"/> -T T-bar mounting (N/A with -3)

Fastening Method		
<input type="checkbox"/> -1 No Fastening 	<input type="checkbox"/> -3 Screw N/A with -T	<input type="checkbox"/> -4 Concealed

Schedule type: _____

Job: _____

Architect: _____

Engineer: _____

Contractor: _____

SUBMITTAL SHEET

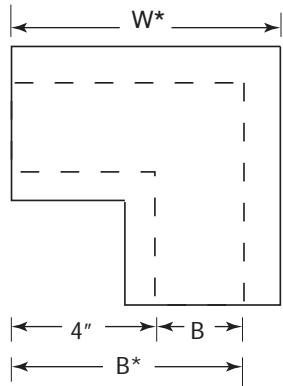
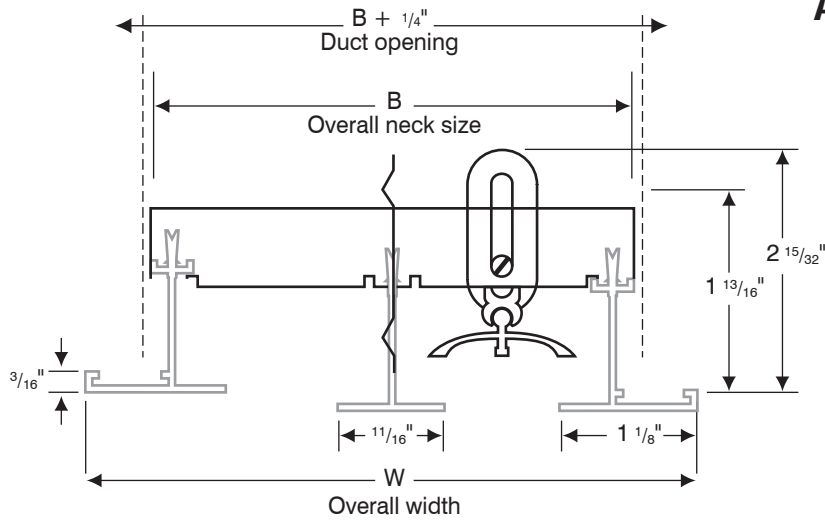
Linear 3/4" Slot Diffuser - Mitered Corner

Material: Extruded aluminum construction

Mounting: Surface or Lay-in T-bar ceiling.



ALSMC3



Frame Gasket -GK

✓	NO. OF SLOTS	B	W	B*	W*
	01	1 13/16"	2 31/32"	5 13/16"	5 35/64"
	02	3 1/4"	4 13/32"	7 1/4"	4 63/64"
	03	4 11/16"	5 27/32"	8 11/16"	6 27/64"
	04	6 1/8"	7 9/32"	10 1/8"	7 55/64"
	05	7 9/16"	8 23/32"	11 9/16"	11 19/64"
	06	9"	10 5/32"	13"	10 47/64"
	07	10 9/16"	11 19/32"	14 9/16"	12 11/64"
	08	11 9/16"	13 1/32"	15 9/16"	13 39/64"

Finish	
<input type="checkbox"/> /W White (Default)	<input type="checkbox"/> /C Custom (Please Specify)



Mounting	
<input type="checkbox"/> -E Surface mounting	<input type="checkbox"/> -T T-bar mounting (N/A with -3)

Fastening Method		
<input type="checkbox"/> -1 No Fastening 	<input type="checkbox"/> -3 Screw N/A with -T	<input type="checkbox"/> -4 Concealed

Schedule type: _____

Job: _____

Architect: _____

Engineer: _____

Contractor: _____

ARCH Architectural Sidewall Linear Bar Grille

Material: Extruded aluminum

Opposed Blade Damper (optional): Key-operated through grille face or by removing core

Other Styles Available: Order using ALB model and switch options

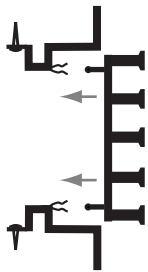
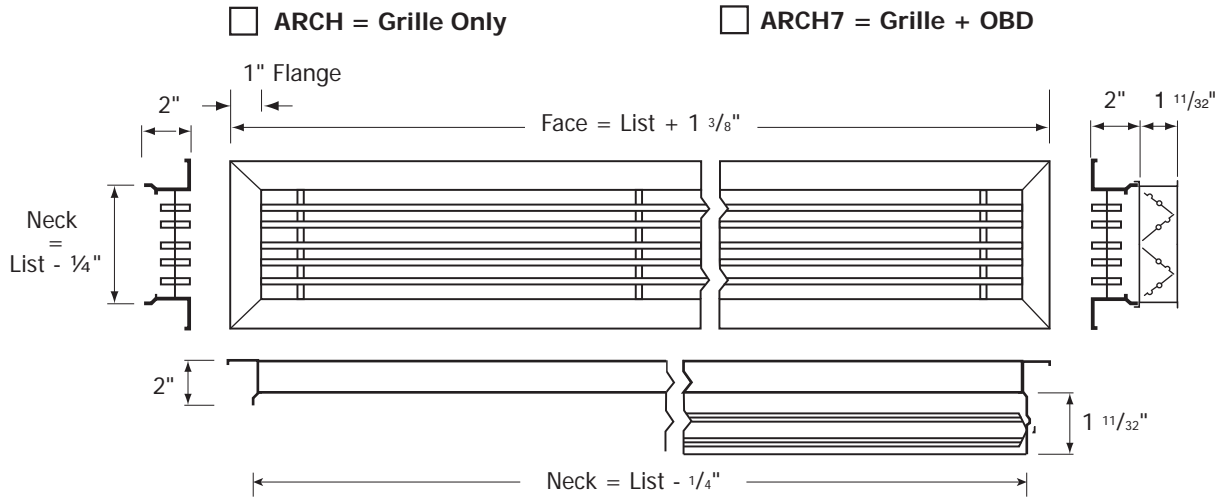
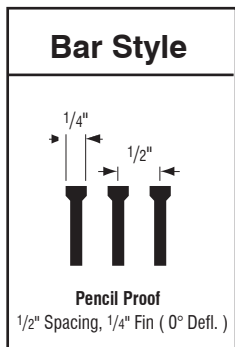
Equivalent ARCH = ALB60-F-5-RM

Equivalent ARCH7 = ALB67-F-5-RM



ARCH / ARCH7

SUBMITTAL SHEET



Concealed Screw Holes
Removable Core with Spring Clips



Finish					
<input type="checkbox"/> /W Powder Coated White	<input type="checkbox"/> /M Mill Finish	<input type="checkbox"/> /SI Silver Aluminum Powder Coat	<input type="checkbox"/> /B Brushed Aluminum	<input type="checkbox"/> /L Brushed and Lacquered	<input type="checkbox"/> /Custom Specify here

Options	
<input type="checkbox"/> -CW Security Ceiling Wire	<input type="checkbox"/> -GK Frame Gasket

Schedule type: _____

Job: _____

Architect: _____

Engineer: _____

Contractor: _____

Dimensions shown contain expansion tolerances based on temperature rise of 40°F above the ambient temperature at which the material is fabricated.

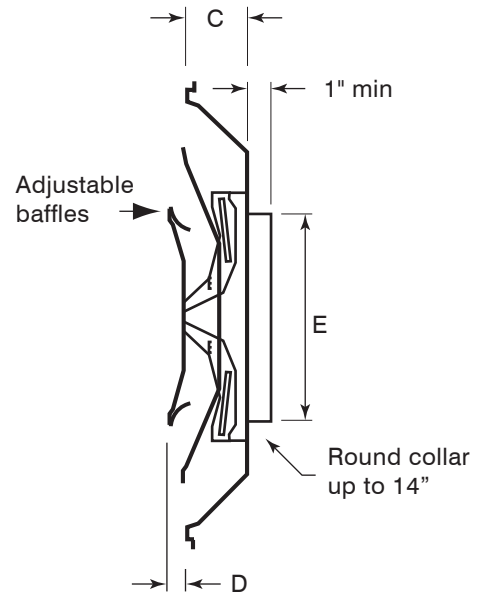
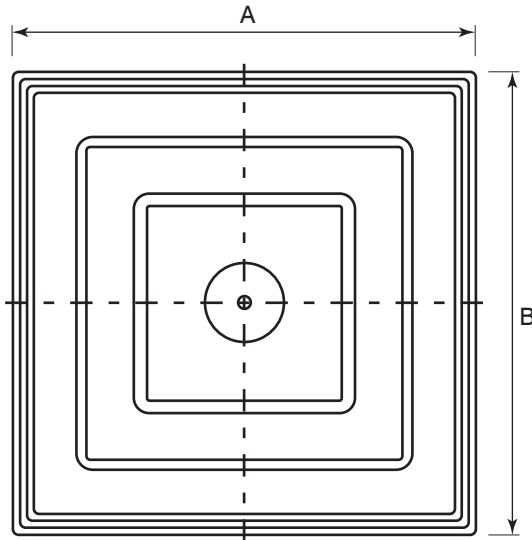
SUBMITTAL SHEET

Ceiling Supply Air Diffuser 3 Cone Adjustable

- Material:** Stamped heavy gauge steel.
- Finish:** Powder paint coating - white.
- Air Pattern:** Adjustable air pattern from horizontal for cooling to vertical for heating, full face.
- Mounting:** Surface or lay-in T-bar ceiling.
- Core Removal:** Unlock hanger brackets by swiveling lever down. Holding cone L at opposite sides, push upwards, then turn clockwise and drop core free from back plenum.



DA3



Optional fiberglass insulation on back panel, complies with A.S.T.M. E84 flame and smoke test. (Available only on models with 24" x 24" face)

R4 R6

Round collar up to 14". Standard height is 1", other options available.

2" collar



Finish	
<input type="checkbox"/> /W White (Default)	<input type="checkbox"/> /C Custom (Please Specify)

✓	Model #	Duct Size	Overall Face Dimension "A" x "B"	Depth Of Unit Dimension "C"	Exposed Depth Dimension "D"	Collar Diameter "E"
	DA3 1206	6	11 3/4" x 11 3/4"	1 3/4"	7/16"	5 7/8"
	DA3 1208	8	11 3/4" x 11 3/4"	1 3/4"	7/16"	7 7/8"
	DA3 2406	6	23 3/4" x 23 3/4"	2 7/8"	7/8"	5 7/8"
	DA3 2408	8	23 3/4" x 23 3/4"	2 7/8"	7/8"	7 7/8"
	DA3 2410	10	23 3/4" x 23 3/4"	2 7/8"	7/8"	9 7/8"
	DA3 2412	12	23 3/4" x 23 3/4"	2 7/8"	7/8"	11 7/8"
	DA3 2414	14	23 3/4" x 23 3/4"	2 7/8"	7/8"	13 7/8"

Schedule type: _____

Job: _____

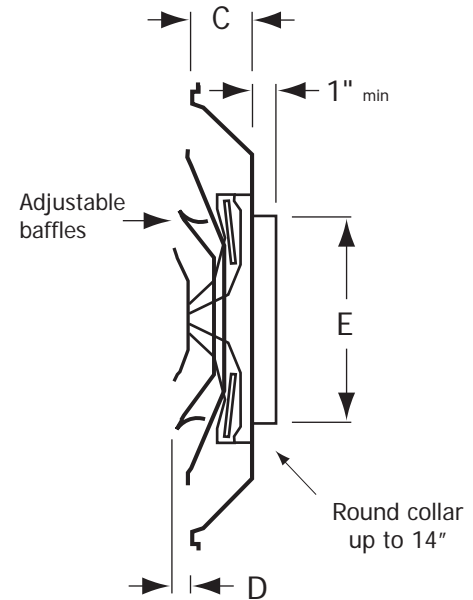
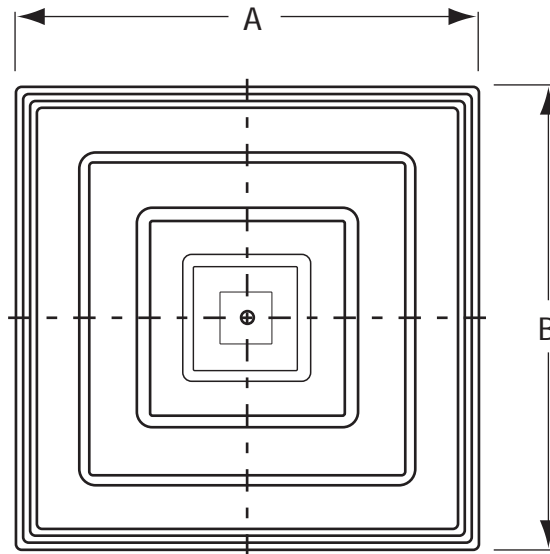
Architect: _____

Engineer: _____

Contractor: _____

Ceiling Supply Air Diffuser 4 Cone Adjustable

- Material:** Stamped heavy gauge steel.
Finish: Powder paint coating - white.
Air Pattern: Adjustable horizontal/vertical air pattern
Mounting: Surface or lay-in T-bar ceiling.
Core Removal: Unlock hanger brackets by swiveling lever down. Holding cone L at opposite sides, push upwards, then turn clockwise and drop core free from back plenum.


DA4


Optional fiberglass insulation on back panel, complies with A.S.T.M. E84 flame and smoke test. (Available only on models with 24" x 24" face)

 R4

 R6

Round collar up to 14". Standard height is 1", other options available.

 2" collar


✓	Model #	Duct Size	Overall Face Dimension "A" x "B"	Depth Of Unit Dimension "C"	Exposed Depth Dimension "D"	Collar Diameter "E"
	DA4 2406	6	23 3/4" x 23 3/4"	2 7/8"	7/8"	5 7/8"
	DA4 2408	8	23 3/4" x 23 3/4"	2 7/8"	7/8"	7 7/8"
	DA4 2410	10	23 3/4" x 23 3/4"	2 7/8"	7/8"	9 7/8"
	DA4 2412	12	23 3/4" x 23 3/4"	2 7/8"	7/8"	11 7/8"
	DA4 2414	14	23 3/4" x 23 3/4"	2 7/8"	7/8"	13 7/8"

Finish	
<input type="checkbox"/> /W White (default)	<input type="checkbox"/> Custom (please specify) _____

Schedule type: _____
 Job: _____
 Architect: _____
 Engineer: _____
 Contractor: _____

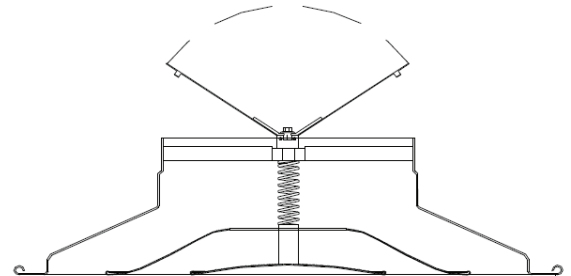
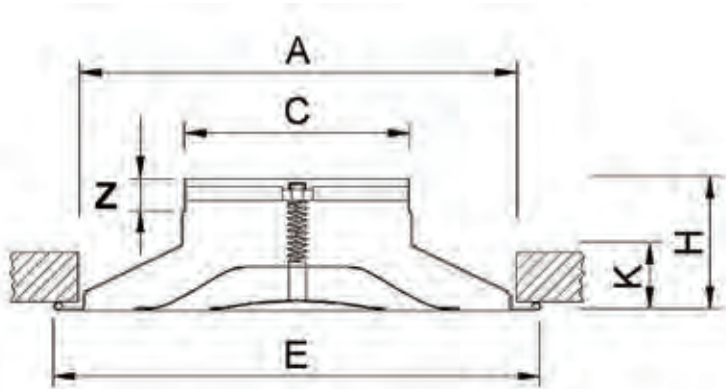
SUBMITTAL SHEET

High Ceiling Round Diffuser Spun Aluminum Fully Adjustable

- Material:** Heavy gauge spun aluminum.
- Finish:** Powder paint coating - white.
- Air Pattern:** 360° diffusion, vertically adjustable.
- Mounting:** Surface or open ceiling.
- Core Adjustment:** Rotate the core clockwise or counterclockwise to adjust for horizontal or vertical flow.



DCG



DCG-R3G

Model	Duct Size	A (in)	C (in)	E (in)	H (in)	K (in)	Z (in)
DCG 06	6"	11 59/64	5 3/4	13 5/16	4 15/16	1 47/64	1
DCG 08	8"	15 5/32	7 3/4	16 47/64	4 17/32	2 9/32	1
DCG 10	10"	18 17/64	9 3/4	19 3/8	4 31/64	2 1/4	1
DCG 12	12"	22 13/64	11 3/4	23 17/64	6 19/32	3 5/32	1
DCG 14	14"	24 13/16	13 29/32	26 1/16	5 33/64	3 17/64	1
DCG 16	16"	24 13/16	15 43/64	26 1/16	5 5/32	2 59/64	1
DCG 18	18"	31 7/32	17 19/32	32 3/4	6 13/16	4 11/64	1
DCG 20	20"	31 7/32	19 9/16	32 3/4	6 27/64	3 13/16	1

Model	Duct Size	A (in)	C (in)	E (in)	H (in)	K (in)	Z (in)
DCG-R3G 08	8"	15 5/32	7 3/4	16 47/64	4 17/32	2 9/32	1
DCG-R3G 10	10"	18 17/64	9 3/4	19 3/8	4 31/64	2 1/4	1
DCG-R3G 14	14"	24 13/16	13 29/32	26 1/16	5 33/64	3 17/64	1
DCG-R3G 16	16"	24 13/16	15 43/64	26 1/16	5 5/32	2 59/64	1
DCG-R3G 18	18"	31 7/32	17 19/32	32 3/4	6 13/16	4 11/64	1
DCG-R3G 20	20"	31 7/32	19 9/16	32 3/4	6 27/64	3 13/16	1

DCG 06 and **DCG 12** can't be supplied with **R3G** but are compatible with **N4** opposed blade dampers and **N5** sliding blade dampers. Dimensions available with **R3G** are **not** compatible with **N4** and **N5** dampers.



Finish	
<input type="checkbox"/> /W White <small>(default)</small>	<input type="checkbox"/> Custom <small>(Please Specify)</small>

Schedule type: _____
Job: _____
Architect: _____
Engineer: _____
Contractor: _____

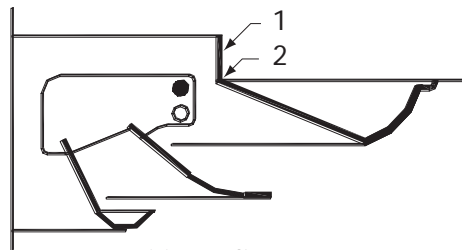
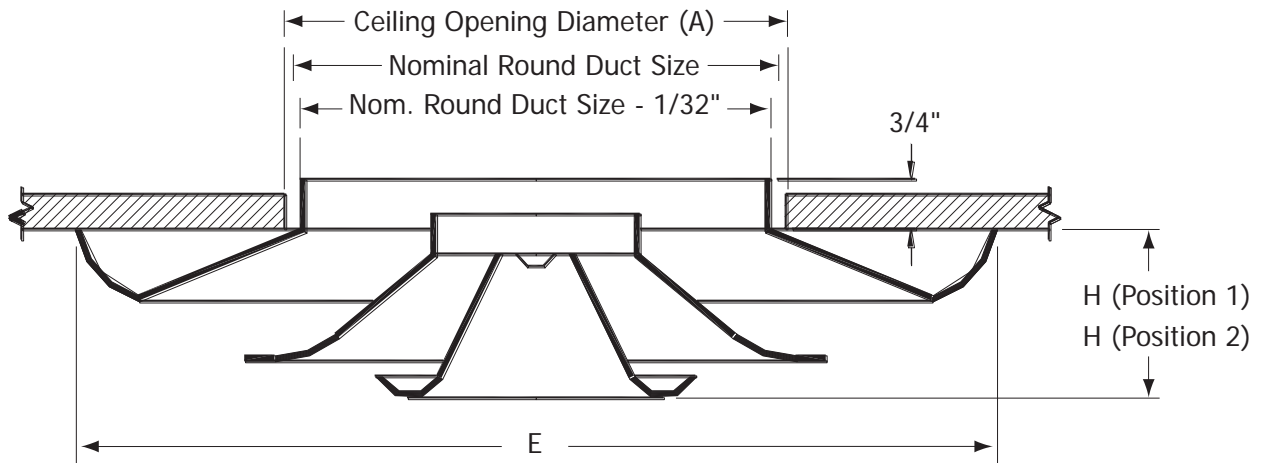
High Ceiling Round Diffuser Spun Aluminum, Fully Adjustable

Material: Heavy gauge spun aluminum.
Finish: Powder paint coating - white.
Air Pattern: 360° diffusion, vertically adjustable.
Mounting: Surface or open ceiling.



DCR

SUBMITTAL SHEET



2-Position Adjustment

✓	Model	Nom. Round Duct Size	A (in)	E (in)	H (Pos. 1)	H (Pos. 2)
	DCR 06	6"	6 1/2"	11 1/8"	1 3/4"	1 1/8"
	DCR 08	8"	8 1/2"	14 3/4"	2 1/8"	1 1/2"
	DCR 10	10"	10 1/2"	18 1/4"	2 7/8"	2 1/8"
	DCR 12	12"	12 1/2"	22"	3 1/8"	2 3/8"
	DCR 14	14"	14 1/2"	26"	3 3/8"	2 5/8"
	DCR 16	16"	16 1/2"	29"	4"	3 1/4"
	DCR 18	18"	18 1/2"	32 1/2"	4 3/4"	3 7/8"
	DCR 20	20"	20 1/2"	36"	5 7/8"	4 7/8"

Finish	
<input type="checkbox"/> /W White (default)	<input type="checkbox"/> Custom (please specify) _____



Schedule type: _____
 Job: _____
 Architect: _____
 Engineer: _____
 Contractor: _____

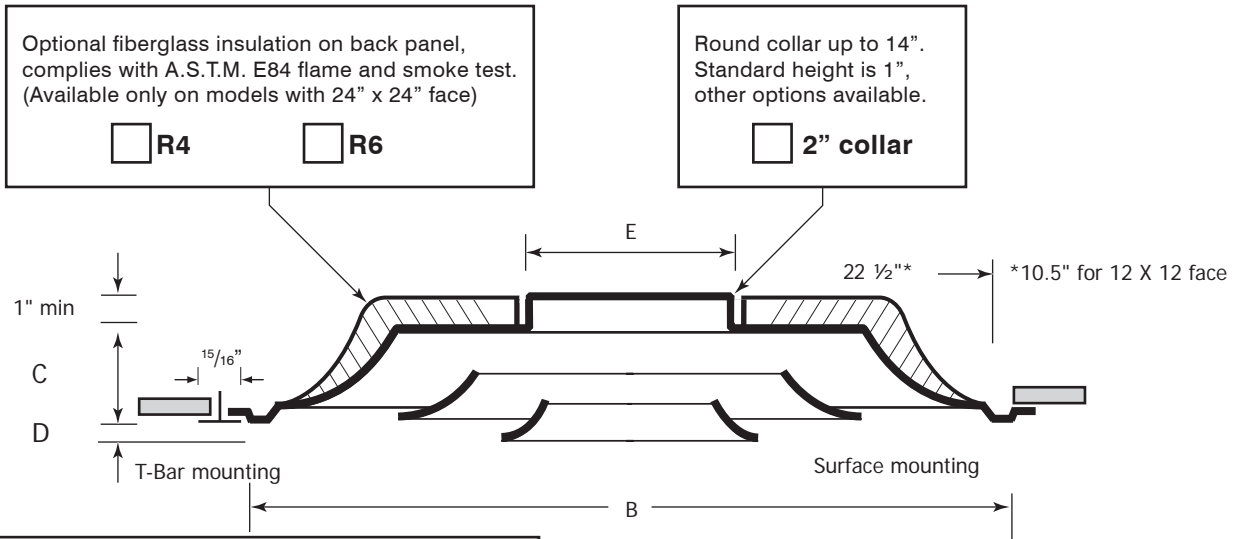
SUBMITTAL SHEET

Ceiling Square Diffuser - 3 Cone Fixed air pattern

- Material:** Stamped heavy gauge Steel.
- Finish:** Powder paint coating - white.
- Air Pattern:** Fixed horizontal 360° diffusion.
- Mounting:** Surface or Lay-in T-bar ceiling.
- Core Removal:** Unlock hanger brackets by swiveling lever down. Holding cone L at opposite sides, push upwards, then turn clockwise and drop core free from back plenum.



DF3

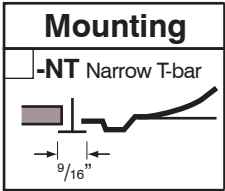


Optional fiberglass insulation on back panel, complies with A.S.T.M. E84 flame and smoke test. (Available only on models with 24" x 24" face)

R4 R6

Round collar up to 14". Standard height is 1", other options available.

2" collar



Round Collar Baffles

<input type="checkbox"/> W1 1 Way	<input type="checkbox"/> WC 2 Way Corner	<input type="checkbox"/> WO 2 Way Opposed	<input type="checkbox"/> W3 3 Way	<input type="checkbox"/> W4 4 Way (default)

Panel Option for T-bar lay-in Ceiling

	Steel (WxH)	Aluminum (WxH)
<input type="checkbox"/>	-X2412	-Y2412
<input type="checkbox"/>	-X2424	-Y2424
<input type="checkbox"/>	-X2448	-Y2448
<input type="checkbox"/>	-X4824	-Y4824
<input type="checkbox"/>	-X2020	-Y2020

No fastening options available

✓	Model #	Duct Size	E	Face Dim B x B	C	D
	DF3 1206	6	5 7/8"	11 3/4" x 11 3/4"	1 3/4"	7/16"
	DF3 1208	8	7 7/8"	11 3/4" x 11 3/4"	1 3/4"	7/16"
	DF3 2406	6	5 7/8"	23 3/4" x 23 3/4"	2 7/8"	7/8"
	DF3 2408	8	7 7/8"	23 3/4" x 23 3/4"	2 7/8"	7/8"
	DF3 2410	10	9 7/8"	23 3/4" x 23 3/4"	2 7/8"	7/8"
	DF3 2412	12	11 7/8"	23 3/4" x 23 3/4"	2 7/8"	7/8"
	DF3 2414	14	13 7/8"	23 3/4" x 23 3/4"	2 7/8"	7/8"

Finish

/W White (Default) /C Custom (Please Specify)



<p>Equalizing Grid (Option)</p> <p>Refer to NEG</p>	<p>Damper (Option)</p> <p>Refer to N4 Refer to N5</p> <p>Opposed Blade Sliding Blade</p>		<p>Plaster Frame (Option)</p> <p>Refer to PF</p>
--	---	--	---

Schedule type: _____

Job: _____

Architect: _____

Engineer: _____

Contractor: _____

Ceiling Square Diffuser - 3 Cone Fixed air pattern - 2" Collar

Material: Stamped heavy gauge steel.
Finish: Powder paint coating - white.
Air Pattern: Fixed horizontal 360° diffusion.
Mounting: Surface or Lay-in T-bar ceiling.

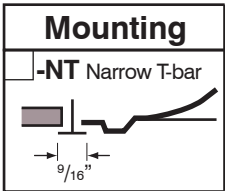
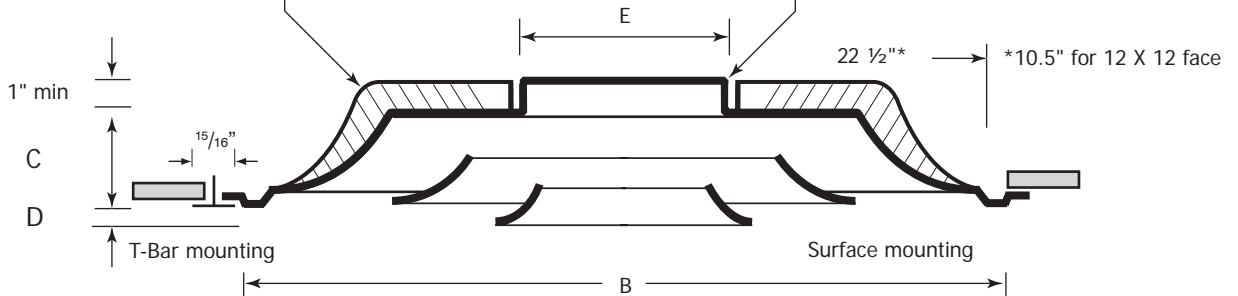

DF3D

Optional fiberglass insulation on back panel, complies with A.S.T.M. E84 flame and smoke test. (Available only on models with 24" x 24" face)

R4 R6

Round collar up to 14". Standard height is 1", other options available.

2" collar



Round Collar Baffles

W1 1 Way WC 2 Way Corner WO 2 Way Opposed W3 3 Way W4 4 Way (default)

Panel Option for T-bar lay-in Ceiling

No fastening options available

	Steel (WxH)	Aluminum (WxH)
<input type="checkbox"/>	-X2412	-Y2412
<input type="checkbox"/>	-X2424	-Y2424
<input type="checkbox"/>	-X2448	-Y2448
<input type="checkbox"/>	-X4824	-Y4824
<input type="checkbox"/>	-X2020	-Y2020

✓	Model #	Duct Size	E	Face Dim B x B	C	D
	DF3D 2406	6	5 7/8"	23 3/4" x 23 3/4"	2 7/8"	7/8"
	DF3D 2408	8	7 7/8"	23 3/4" x 23 3/4"	2 7/8"	7/8"
	DF3D 2410	10	9 7/8"	23 3/4" x 23 3/4"	2 7/8"	7/8"
	DF3D 2412	12	11 7/8"	23 3/4" x 23 3/4"	2 7/8"	7/8"

Finish

/W White (Default) /C Custom (Please Specify)



Equalizing Grid (Option) Refer to NEG 	Damper (Option) Refer to N4 Refer to N5 Opposed Blade Sliding Blade	Plaster Frame (Option) Refer to PF
---	--	--

Schedule type: _____
 Job: _____
 Architect: _____
 Engineer: _____
 Contractor: _____

Ceiling Square Diffuser - 3 Cone Fixed air pattern

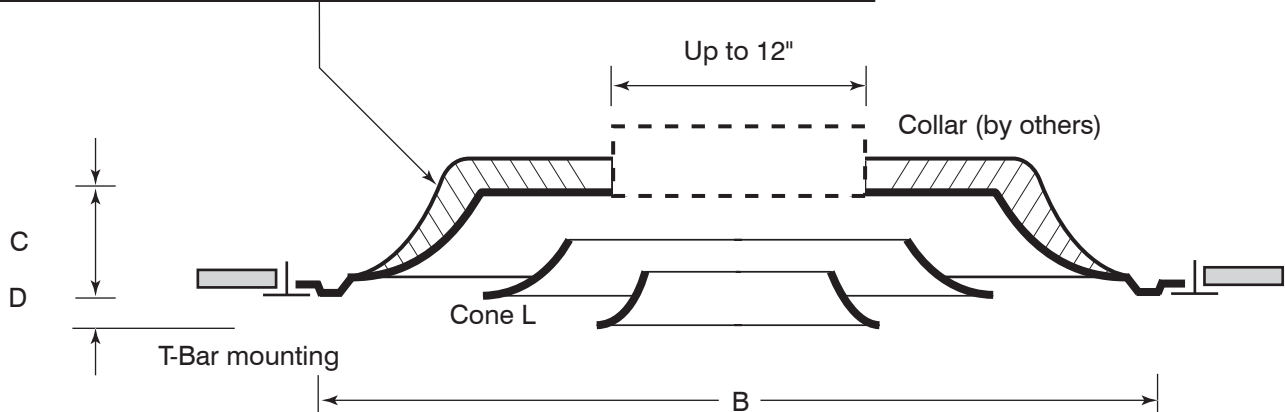
- Material:** Stamped heavy gauge steel.
- Finish:** Powder paint coating - white.
- Air Pattern:** Fixed horizontal 360° diffusion.
- Mounting:** Lay-in T-bar ceiling.
- Core Removal:** Unlock hanger brackets by swiveling lever down. Holding cone L at opposite sides, push upwards, then turn clockwise and drop core free from back plenum.



DF3I

R6 fiberglass back complies with A.S.T.M. E84 flame and smoke test.

Scored for collar sizes up to 12" D. Contractor to install job-specific collar in field. For size 14", please refer to model DF3-R6 2414.



Model #	Face Dim B x B	C	D
DF3I	23 3/4" x 23 3/4"	2 7/8"	7/8"

Finish	
<input type="checkbox"/> /W White (Default)	<input type="checkbox"/> /C Custom (Please Specify)



Schedule type: _____

Job: _____

Architect: _____

Engineer: _____

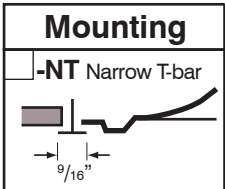
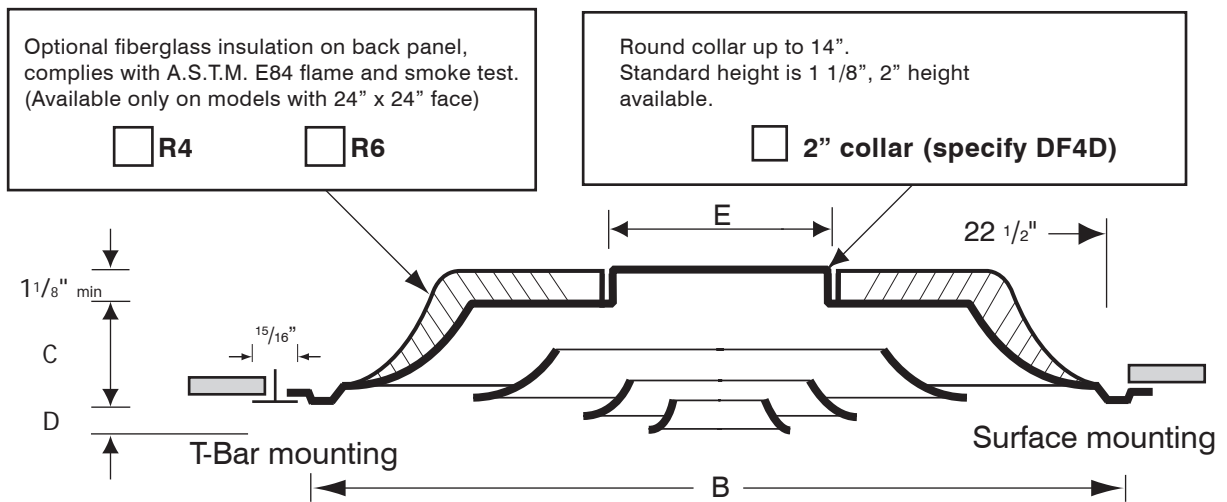
Contractor: _____

Ceiling Square Diffuser - 4 Cone Fixed air pattern


DF4

- Material:** Stamped heavy gauge Steel.
Finish: Powder paint coating - white.
Air Pattern: Fixed horizontal 360° diffusion.
Mounting: Surface or Lay-in T-bar ceiling.
Core Removal: Unlock hanger brackets by swiveling lever down. Holding cone L at opposite sides, push upwards, then turn clockwise and drop core free from back plenum.

SUBMITTAL SHEET



Round Collar Baffles				
W1 1 Way	WC 2 Way Corner	WO 2 Way Opposed	W3 3 Way	W4 4 Way (default)

Panel Option for T-bar lay-in Ceiling		
W	Steel (WxH)	Aluminum (WxH)
		<input type="checkbox"/> -X2412
<input type="checkbox"/> -X2424		<input type="checkbox"/> -Y2424
<input type="checkbox"/> -X2448		<input type="checkbox"/> -Y2448
<input type="checkbox"/> -X4824		<input type="checkbox"/> -Y4824
<input type="checkbox"/> -X2020		<input type="checkbox"/> -Y2020

No fastening options available

<input checked="" type="checkbox"/>	Model #	Duct Size	E	Face Dim B x B	C	D
	DF4 2406	6	5 7/8"	23 3/4" x 23 3/4"	2 7/8"	7/8"
	DF4 2408	8	7 7/8"	23 3/4" x 23 3/4"	2 7/8"	7/8"
	DF4 2410	10	9 7/8"	23 3/4" x 23 3/4"	2 7/8"	7/8"
	DF4 2412	12	11 7/8"	23 3/4" x 23 3/4"	2 7/8"	7/8"
	DF4 2414	14	13 7/8"	23 3/4" x 23 3/4"	2 7/8"	7/8"

Finish	
<input type="checkbox"/> /W	<input type="checkbox"/> /C Custom (Please Specify)
White (Default)	_____



<p>Equalizing Grid (Option)</p> <p>Refer to NEG</p>	<p>Damper (Option)</p> <p>Refer to N4 Refer to N5</p> <p>Opposed Blade Sliding Blade</p>	<p>Plaster Frame (Option)</p> <p>Refer to PF</p>
--	---	---

Schedule type: _____

Job: _____

Architect: _____

Engineer: _____

Contractor: _____

SUBMITTAL SHEET

Ceiling Square Diffuser - 4 Cone Fixed air pattern - 2" High Collar

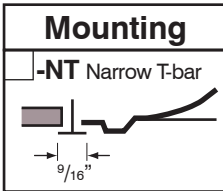
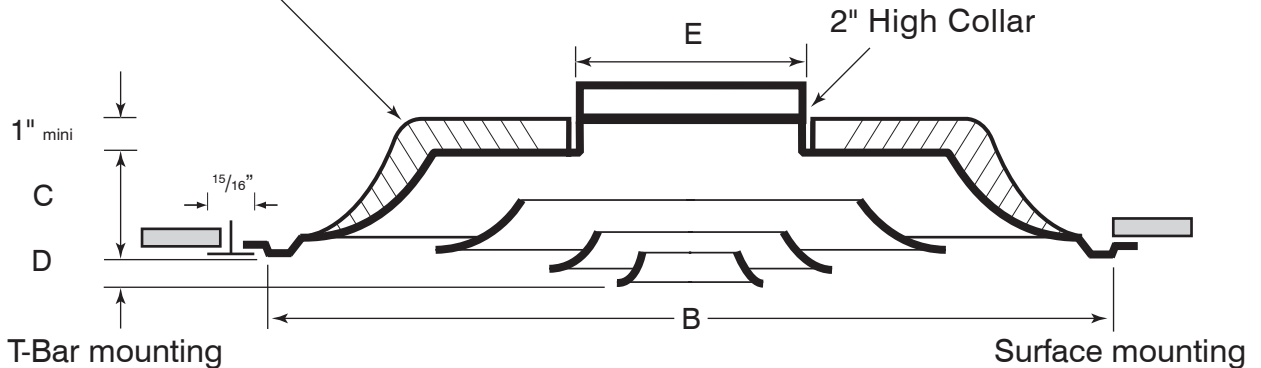
Material: Stamped heavy gauge steel.
Finish: Powder paint coating - white.
Air Pattern: Fixed horizontal 360° diffusion.
Mounting: Surface or Lay-in T-bar ceiling



DF4D

Optional fiberglass insulation on back panel,
complies with A.S.T.M. E84 flame and smoke test.

R4 R6



Round Collar Baffles

W1 1 Way WC WO W3 3 Way W4 4 Way (default)

Panel Option for T-bar lay-in Ceiling

	Steel (WxH)	Aluminum (WxH)
<input type="checkbox"/>	-X2412	-Y2412
<input type="checkbox"/>	-X2424	-Y2424
<input type="checkbox"/>	-X2448	-Y2448
<input type="checkbox"/>	-X4824	-Y4824
<input type="checkbox"/>	-X2020	-Y2020

No fastening options available

<input checked="" type="checkbox"/>	Model #	Duct Size	E	Face Dim B x B	C	D
	DF4D 2406	6	5 7/8"	23 3/4" x 23 3/4"	2 7/8"	7/8"
	DF4D 2408	8	7 7/8"	23 3/4" x 23 3/4"	2 7/8"	7/8"
	DF4D 2410	10	9 7/8"	23 3/4" x 23 3/4"	2 7/8"	7/8"
	DF4D 2412	12	11 7/8"	23 3/4" x 23 3/4"	2 7/8"	7/8"

Finish

/W White (Default) /C Custom (Please Specify)



<p>Equalizing Grid (Option)</p> <p>Refer to NEG</p>	<p>Damper (Option)</p> <p>Refer to N4 Refer to N5</p> <p>Opposed Blade Sliding Blade</p>	<p>Plaster Frame (Option)</p> <p>Refer to PF</p>
--	---	---

Schedule type: _____

Job: _____

Architect: _____

Engineer: _____

Contractor: _____

Ceiling Square Diffuser - 4 Cone Fixed air pattern

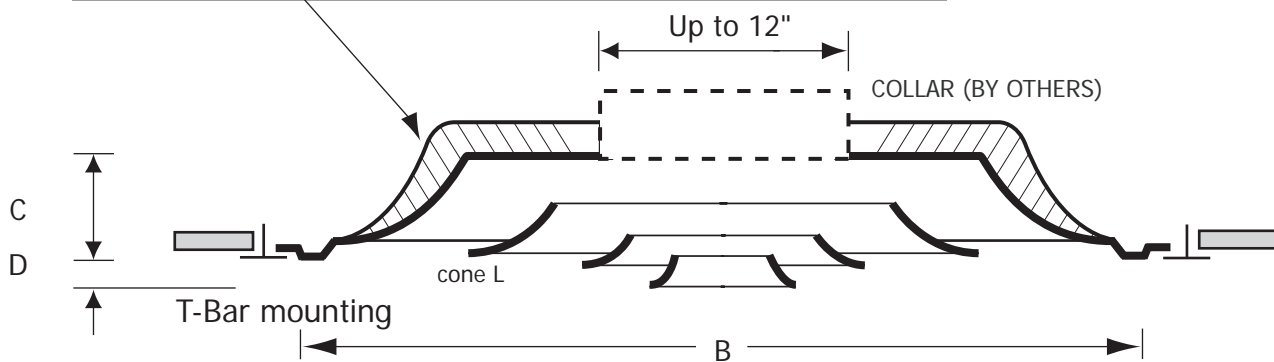
- Material:** Stamped heavy gauge steel.
- Finish:** Powder paint coating - white.
- Air Pattern:** Fixed horizontal 360° diffusion.
- Mounting:** Lay-in T-bar ceiling.
- Core Removal:** Unlock hanger brackets by swiveling lever down. Holding cone L at opposite sides, push upwards, then turn clockwise and drop core free from back plenum.



DF4I

R6 fiberglass back complies with A.S.T.M. E84 flame and smoke test.

Scored for collar sizes up to 12" D. Contractor to install job-specific collar in field. For size 14", please refer to model DF4-R6 2414.



Model #	Face Dim B x B	C	D
DF4I	23 3/4" x 23 3/4"	2 7/8"	7/8"

Finish	
<input type="checkbox"/> /W White (default)	<input type="checkbox"/> Custom (please specify)



Schedule type: _____

Job: _____

Architect: _____

Engineer: _____

Contractor: _____

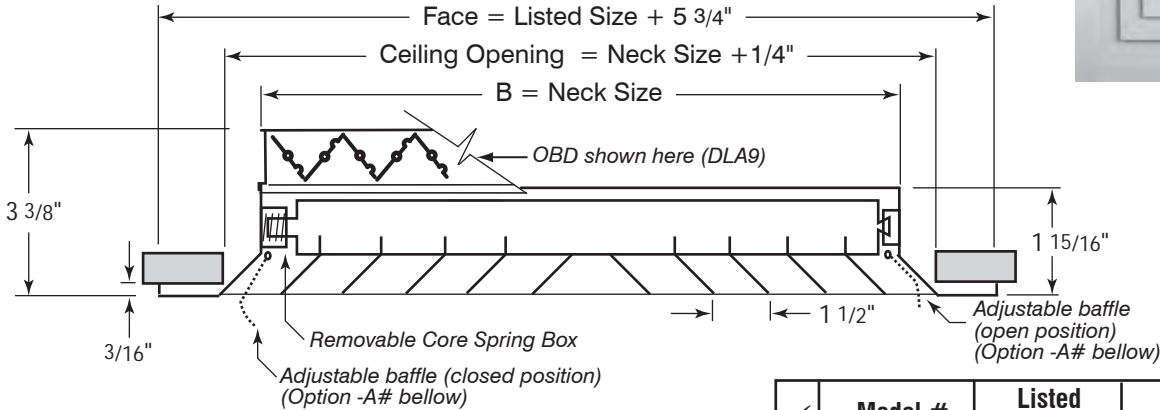
SUBMITTAL SHEET

Ceiling Diffuser - Aluminum Louvered Face Directional Fixed Air Pattern - Square Neck

Material: Heavy gauge aluminum.
Finish: Powder paint coating - white.
Mounting: Surface or Lay-in T-bar ceiling.
Volume Control: Available with pre-installed aluminum OBD (Model# DLA9).



DLA



Border Type

-F Flat Frame (Default)	-B Beveled Frame

Mounting

-NT Narrow T-bar	-O Lay-In	-1 Screw Holes	-4 Concealed

Core Selection (-W) & Adjustable Baffles (-A)

-W1 1 Way	-WC 2 Way Corner	-WO 2 Way Opposed	-W3 3 Way	-W4 4 Way (Default)
-A1 shown here in dotted line	-AC shown here in dotted line	-A0 shown here in dotted line	-A3 shown here in dotted line	-A4 shown here in dotted line

Panel Option for T-bar lay-in Ceiling

	Steel (WxH)	Aluminum (WxH)
	<input type="checkbox"/> -X2412	<input type="checkbox"/> -Y2412
	<input type="checkbox"/> -X2424	<input type="checkbox"/> -Y2424
	<input type="checkbox"/> -X4812	<input type="checkbox"/> -Y4812
	<input type="checkbox"/> -X4824	<input type="checkbox"/> -Y4824

No mounting options available

✓	Model #	Listed Size	Neck Size B	Face Size
	DLA 0606	6" x 6"	5 15/16" x 5 15/16"	11 3/4" x 11 3/4"
	DLA 0909	9" x 9"	8 15/16" x 8 15/16"	14 3/4" x 14 3/4"
	DLA 1212	12" x 12"	11 15/16" x 11 15/16"	17 3/4" x 17 3/4"
	DLA 1515	15" x 15"	14 15/16" x 14 15/16"	20 3/4" x 20 3/4"
	DLA 1818	18" x 18"	17 15/16" x 17 15/16"	23 3/4" x 23 3/4"
	DLA9 0606	6" x 6"	6 3/16" x 6 3/16"	11 3/4" x 11 3/4"
	DLA9 0909	9" x 9"	9 3/16" x 9 3/16"	14 3/4" x 14 3/4"
	DLA9 1212	12" x 12"	12 3/16" x 12 3/16"	17 3/4" x 17 3/4"
	DLA9 1515	15" x 15"	14 3/16" x 14 3/16"	20 3/4" x 20 3/4"
	DLA9 1818	18" x 18"	17 3/16" x 17 3/16"	23 3/4" x 23 3/4"

Plaque options Only with -W4

-PQ1	-PQ2	-PQ3	-PQ4

Finish

<input type="checkbox"/> /W White (Default)	<input type="checkbox"/> /C Custom (Please Specify)
---	---



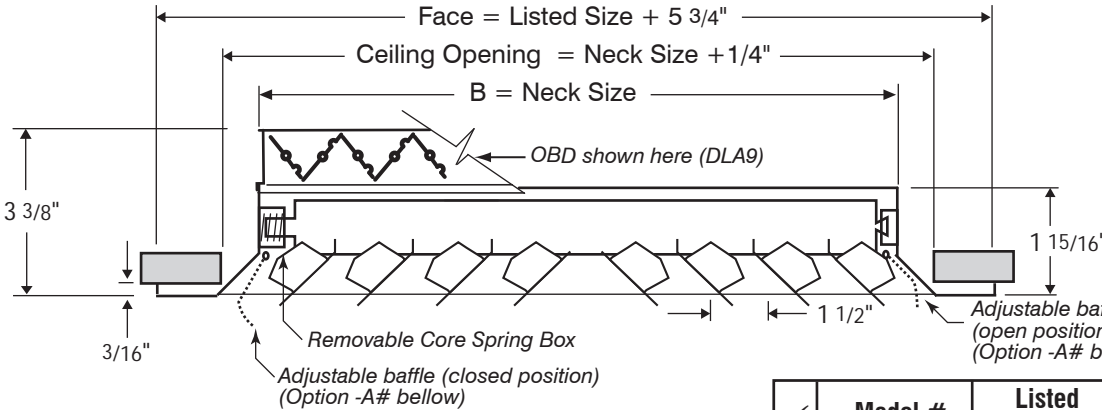
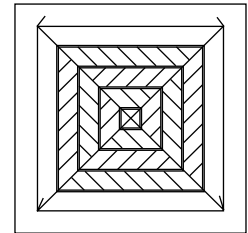
Schedule type: _____
 Job: _____
 Architect: _____
 Engineer: _____
 Contractor: _____

Ceiling Diffuser - Aluminum Louvered Face Directional Fixed Air Pattern - Square Neck

Material: Heavy gauge aluminum.
Finish: Powder paint coating - white.
Mounting: Surface or Lay-in T-bar ceiling.
Volume Control: Available with pre-installed aluminum OBD (Model# DLA9-HI).



SUBMITTAL SHEET


DLA-HI


High Induction Vanes

Border Type

<input type="checkbox"/> -F Flat Frame (Default)	<input type="checkbox"/> -B Beveled Frame

Mounting

<input type="checkbox"/> -NT Narrow T-bar	<input type="checkbox"/> -O Lay-In	<input type="checkbox"/> -1 Screw Holes	<input type="checkbox"/> -4 Concealed

Core Selection (-W) & Adjustable Baffles (-A)

<input type="checkbox"/> -W1 1 Way	<input type="checkbox"/> -WC 2 Way Corner	<input type="checkbox"/> -WO 2 Way Opposed	<input type="checkbox"/> -W3 3 Way	<input type="checkbox"/> -W4 4 Way (Default)
<input type="checkbox"/> -A1 shown here in dotted line	<input type="checkbox"/> -AC shown here in dotted line	<input type="checkbox"/> -A0 shown here in dotted line	<input type="checkbox"/> -A3 shown here in dotted line	<input type="checkbox"/> -A4 shown here in dotted line

Panel Option for T-bar lay-in Ceiling

	<input type="checkbox"/> Steel (WxH)	<input type="checkbox"/> Aluminum (WxH)
	<input type="checkbox"/> -X2412	<input type="checkbox"/> -Y2412
	<input type="checkbox"/> -X2424	<input type="checkbox"/> -Y2424
	<input type="checkbox"/> -X4812	<input type="checkbox"/> -Y4812
	<input type="checkbox"/> -X4824	<input type="checkbox"/> -Y4824

No mounting options available

✓	Model #	Listed Size	Neck Size B	Face Size
	DLA 0606	6" x 6"	5 15/16" x 5 15/16"	11 3/4" x 11 3/4"
	DLA 0909	9" x 9"	8 15/16" x 8 15/16"	14 3/4" x 14 3/4"
	DLA 1212	12" x 12"	11 15/16" x 11 15/16"	17 3/4" x 17 3/4"
	DLA 1515	15" x 15"	14 15/16" x 14 15/16"	20 3/4" x 20 3/4"
	DLA 1818	18" x 18"	17 15/16" x 17 15/16"	23 3/4" x 23 3/4"
	DLA9 0606	6" x 6"	6 3/16" x 6 3/16"	11 3/4" x 11 3/4"
	DLA9 0909	9" x 9"	9 3/16" x 9 3/16"	14 3/4" x 14 3/4"
	DLA9 1212	12" x 12"	12 3/16" x 12 3/16"	17 3/4" x 17 3/4"
	DLA9 1515	15" x 15"	14 3/16" x 14 3/16"	20 3/4" x 20 3/4"
	DLA9 1818	18" x 18"	17 3/16" x 17 3/16"	23 3/4" x 23 3/4"

Plaque options Only with -W4

<input type="checkbox"/> -PQ1	<input type="checkbox"/> -PQ2	<input type="checkbox"/> -PQ3	<input type="checkbox"/> -PQ4

Finish

<input type="checkbox"/> /W White (Default)	<input type="checkbox"/> /C Custom (Please Specify)
---	--



Schedule type: _____
 Job: _____
 Architect: _____
 Engineer: _____
 Contractor: _____

Ceiling Diffuser - Aluminum Louvered Face Directional Fixed Air Pattern, Insulated Back

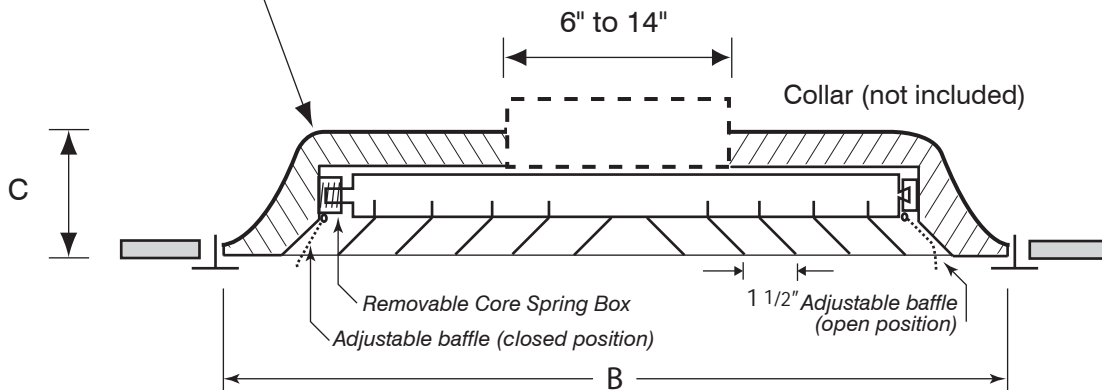
Material: Heavy gauge aluminum and molded fiberglass.
Finish: Powder paint coating - white.
Mounting: Lay-in T-bar ceiling.



DLAI

R6 fiberglass back complies with A.S.T.M. E84 flame and smoke test.

Scored for collar sizes up to 14" D.
 Contractor to install job-specific collar in field.



Model #	Face Dim B x B	C
DLAI	23 3/4" x 23 3/4"	3 7/8"

Core Selection (-W) & Adjustable Baffles (-A)				
<input type="checkbox"/> -W1 1 Way	<input type="checkbox"/> -WC 2 Way Corner	<input type="checkbox"/> -WO 2 Way Opposed	<input type="checkbox"/> -W3 3 Way	<input type="checkbox"/> -W4 4 Way (Default)
<input type="checkbox"/> -A1 shown here in dotted line	<input type="checkbox"/> -AC shown here in dotted line	<input type="checkbox"/> -AO shown here in dotted line	<input type="checkbox"/> -A3 shown here in dotted line	<input type="checkbox"/> -A4 shown here in dotted line
Finish				
<input type="checkbox"/> /W White (Default)	<input type="checkbox"/> /C Custom (Please Specify)			



Schedule type: _____

Job: _____

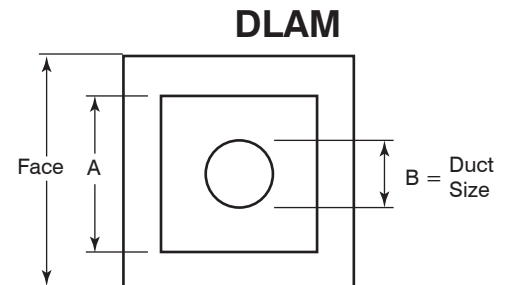
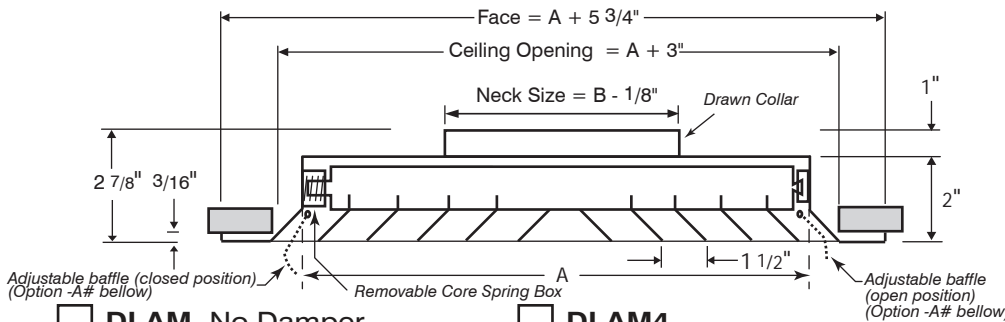
Architect: _____

Engineer: _____

Contractor: _____

Ceiling Diffuser - Aluminum Louvered Face Directional Fixed Air Pattern, Round Neck

Material: Heavy gauge aluminum.
Finish: Powder paint coating - white.
Mounting: Surface or Lay-in T-bar ceiling.
Volume Control: Available with pre-installed opposed blade damper (Model# DLAM4) or radial sliding blade damper (Model# DLAM5).



- DLAM** No Damper **DLAM4** **DLAM5** Pre-Installed N5 Radial Sliding Blade Damper

Border Type

-F Flat Frame (Default) **-B** Beveled Frame

Mounting

-NT Narrow T-bar **-O** Lay-in **-1** Screw Holes **-4** Concealed

Core Selection (-W) & Adjustable Baffles (-A)

-W1 1 Way **-WC** 2 Way Corner **-WO** 2 Way Opposed **-W3** 3 Way **-W4** 4 Way (Default)

-A1 shown here in dotted line **-AC** shown here in dotted line **-AO** shown here in dotted line **-A3** shown here in dotted line **-A4** shown here in dotted line

Finish

/W White (Default) **/C** Custom (Please Specify)

✓	Model #	A	B	Neck Size	Face Size
	0606 06	6 x 6	6	5 7/8	11 3/4 x 11 3/4
	0909 06	9 x 9	6	5 7/8	14 3/4 x 14 3/4
	0909 08	9 x 9	8	7 7/8	14 3/4 x 14 3/4
	1212 06	12 x 12	6	5 7/8	17 3/4 x 17 3/4
	1212 08	12 x 12	8	7 7/8	17 3/4 x 17 3/4
	1212 10	12 x 12	10	9 7/8	17 3/4 x 17 3/4
	1212 12	12 x 12	12	11 7/8	17 3/4 x 17 3/4
	1515 06	15 x 15	6	5 7/8	20 3/4 x 20 3/4
	1515 08	15 x 15	8	7 7/8	20 3/4 x 20 3/4
	1515 10	15 x 15	10	9 7/8	20 3/4 x 20 3/4
	1515 12	15 x 15	12	11 7/8	20 3/4 x 20 3/4
	1515 14 ¹	15 x 15	14	13 7/8	20 3/4 x 20 3/4
	1818 06	18 x 18	6	5 7/8	23 3/4 x 23 3/4
	1818 08	18 x 18	8	7 7/8	23 3/4 x 23 3/4
	1818 10	18 x 18	10	9 7/8	23 3/4 x 23 3/4
	1818 12	18 x 18	12	11 7/8	23 3/4 x 23 3/4
	1818 14 ¹	18 x 18	14	13 7/8	23 3/4 x 23 3/4
	1818 16 ²	18 x 18	16	15 7/8	23 3/4 x 23 3/4

¹ Size not available for DLAM5 ² Size not available for DLAM4 and DLAM5

Panel Option for T-bar lay-in Ceiling

	Steel (WxH)	Aluminum (WxH)
<input type="checkbox"/>	-X1224	<input type="checkbox"/> -Y1224
<input type="checkbox"/>	-X2412	<input type="checkbox"/> -Y2412
<input type="checkbox"/>	-X2424	<input type="checkbox"/> -Y2424
<input type="checkbox"/>	-X2448	<input type="checkbox"/> -Y2448
<input type="checkbox"/>	-X4824	<input type="checkbox"/> -Y4824
<input type="checkbox"/>	-X2020	<input type="checkbox"/> -Y2020

No fastening options available

Schedule type: _____

Job: _____

Architect: _____

Engineer: _____

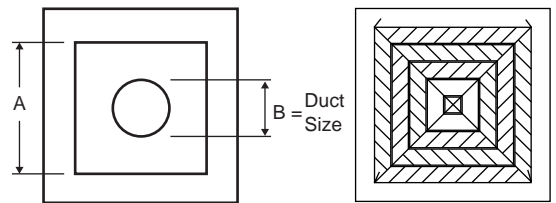
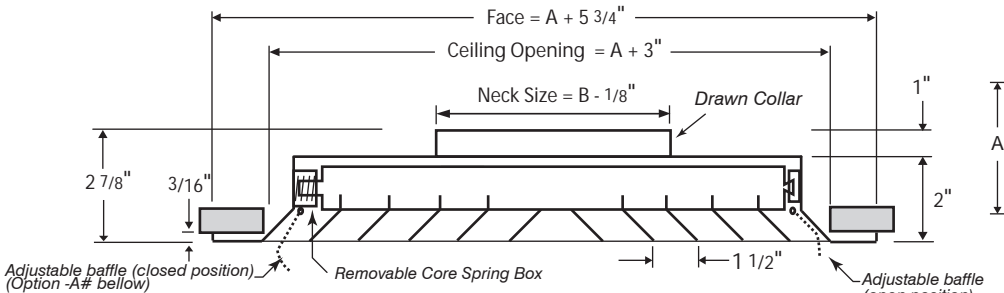
Contractor: _____

Ceiling Diffuser - Aluminum Louvered Face Directional Fixed Air Pattern, Round Neck

Material: Heavy gauge aluminum.
Finish: Powder paint coating - white.
Mounting: Surface or Lay-in T-bar ceiling.
Volume Control: Available with pre-installed opposed blade damper (Model# DLAM4-HI) or radial sliding blade damper (Model# DLAM5-HI).



DLAM



High Induction Vanes

- DLAM-HI** No Damper **DLAM4-HI** Pre-Installed N4 Opposed Blade Damper **DLAM5** Pre-Installed N5 Radial Sliding Blade Damper

Border Type

-F Flat Frame (Default) **-B** Beveled Frame

Mounting

-NT Narrow T-bar **-O** Lay-in **-1** Screw Holes **-4** Concealed

Core Selection (-W) & Adjustable Baffles (-A)

-W1 1 Way **-WC** 2 Way Corner **-WO** 2 Way Opposed **-W3** 3 Way **-W4** 4 Way (Default)

-A1 shown here in dotted line **-AC** shown here in dotted line **-AO** shown here in dotted line **-A3** shown here in dotted line **-A4** shown here in dotted line

Finish

/W White (Default) **/C** Custom (Please Specify)

Panel Option for T-bar lay-in Ceiling

<input type="checkbox"/> -X1224	<input type="checkbox"/> -Y1224
<input type="checkbox"/> -X2412	<input type="checkbox"/> -Y2412
<input type="checkbox"/> -X2424	<input type="checkbox"/> -Y2424
<input type="checkbox"/> -X2448	<input type="checkbox"/> -Y2448
<input type="checkbox"/> -X4824	<input type="checkbox"/> -Y4824
<input type="checkbox"/> -X2020	<input type="checkbox"/> -Y2020

No fastening options available

✓	Model #	A	B	Neck Size	Face Size
	0606 06	6 x 6	6	5 7/8	11 3/4 x 11 3/4
	0909 06	9 x 9	6	5 7/8	14 3/4 x 14 3/4
	0909 08	9 x 9	8	7 7/8	14 3/4 x 14 3/4
	1212 06	12 x 12	6	5 7/8	17 3/4 x 17 3/4
	1212 08	12 x 12	8	7 7/8	17 3/4 x 17 3/4
	1212 10	12 x 12	10	9 7/8	17 3/4 x 17 3/4
	1212 12	12 x 12	12	11 7/8	17 3/4 x 17 3/4
	1515 06	15 x 15	6	5 7/8	20 3/4 x 20 3/4
	1515 08	15 x 15	8	7 7/8	20 3/4 x 20 3/4
	1515 10	15 x 15	10	9 7/8	20 3/4 x 20 3/4
	1515 12	15 x 15	12	11 7/8	20 3/4 x 20 3/4
	1515 14 ¹	15 x 15	14	13 7/8	20 3/4 x 20 3/4
	1818 06	18 x 18	6	5 7/8	23 3/4 x 23 3/4
	1818 08	18 x 18	8	7 7/8	23 3/4 x 23 3/4
	1818 10	18 x 18	10	9 7/8	23 3/4 x 23 3/4
	1818 12	18 x 18	12	11 7/8	23 3/4 x 23 3/4
	1818 14 ¹	18 x 18	14	13 7/8	23 3/4 x 23 3/4
	1818 16 ²	18 x 18	16	15 7/8	23 3/4 x 23 3/4

¹ Size not available for DLAM5 ² Size not available for DLAM4 and DLAM5

Schedule type: _____

Job: _____

Architect: _____

Engineer: _____

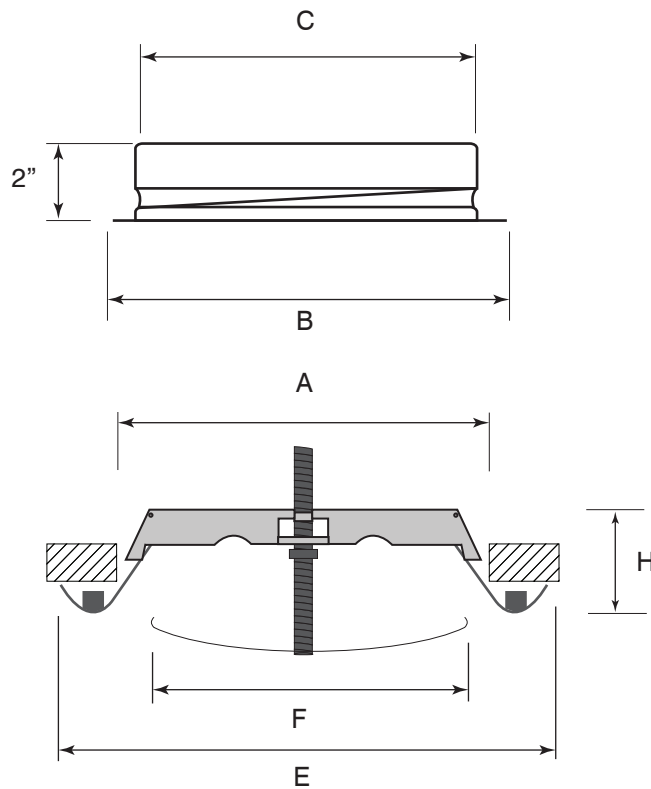
Contractor: _____

Mini Valve Diffuser Pressed steel, Adjustable core

- Material:** Powder coated heavy gauge steel.
Galvanized steel mounting.
- Finish:** Powder paint coating - white.
- Air Pattern:** 360° diffusion, vertically adjustable.
- Mounting:** Surface or open ceiling.
- Core Adjustment:** Rotate the core clockwise or counterclockwise to adjust flow.



DRV



SUBMITTAL SHEET

	Model	Duct Size	A	F	H	C	B	E
	DRV 04	4"	4.09"	2.95"	1.57"	3.9"	4.92"	5.39"
	DRV 05	5"	5.08"	3.9"	1.81"	4.88"	5.91"	6.46"
	DRV 06	6"	6.65"	5.08"	2.13"	5.9"	6.91"	7.75"
	DRV 08	8"	8.23"	6.18"	2.48"	7.83"	8.85"	9.76"

Finish	
<input type="checkbox"/> /W White (Default)	<input type="checkbox"/> /C Custom (Please Specify)



Schedule type: _____

Job: _____

Architect: _____

Engineer: _____

Contractor: _____

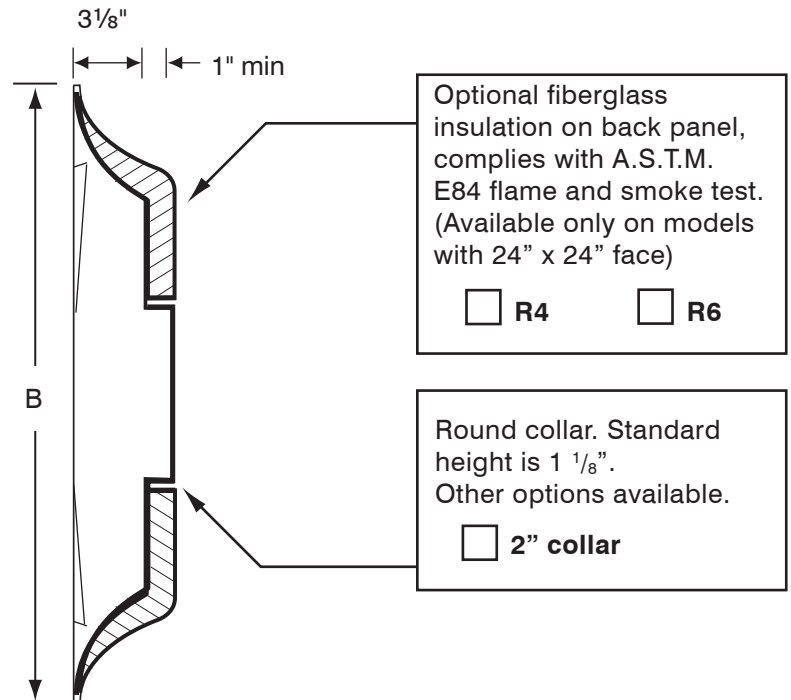
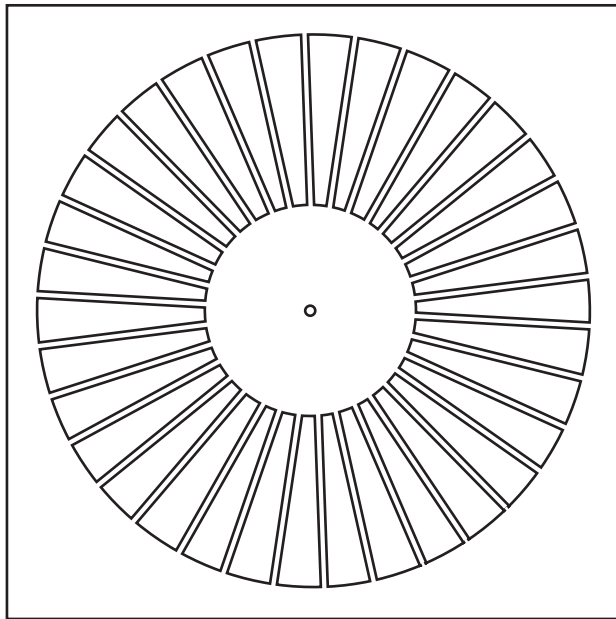
SUBMITTAL SHEET

Swirl Face Supply Diffuser Fixed face

Finish: Stamped heavy gauge steel
Material: Powder paint coating - white
Air Pattern: Fixed 360° spiral pattern
Mounting: Lay-in T-bar ceiling



DSW



✓	Model #	Duct Size	Neck Size	Face Dim B x B
	DSW 2406	6	5 7/8"	23 7/8" x 23 7/8"
	DSW 2408	8	7 7/8"	23 7/8" x 23 7/8"
	DSW 2410	10	9 7/8"	23 7/8" x 23 7/8"
	DSW 2412	12	11 7/8"	23 7/8" x 23 7/8"
	DSW 2414	14	13 7/8"	23 7/8" x 23 7/8"

Finish	
<input type="checkbox"/> /W White (Default)	<input type="checkbox"/> /C Custom (Please Specify)



Schedule type: _____

Job: _____

Architect: _____

Engineer: _____

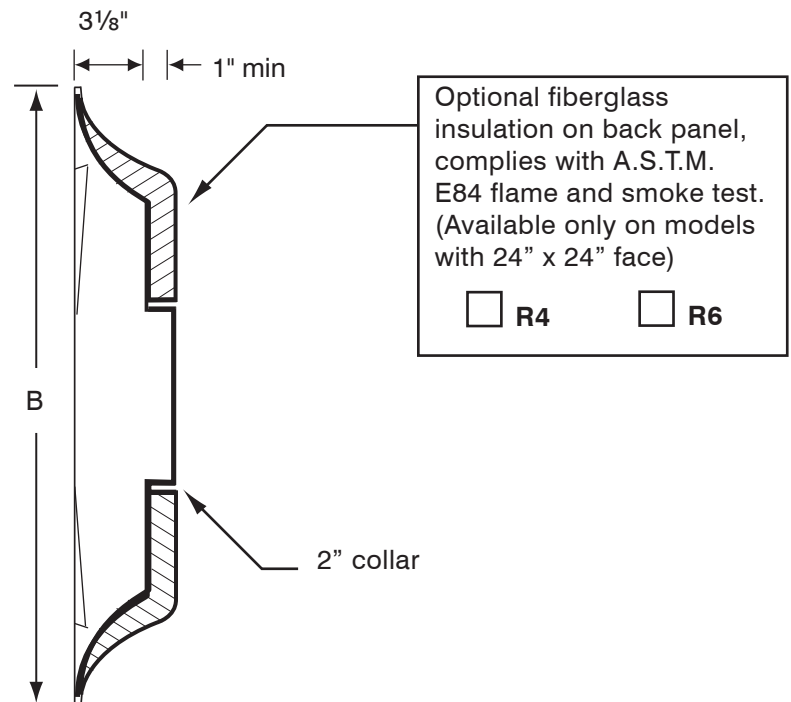
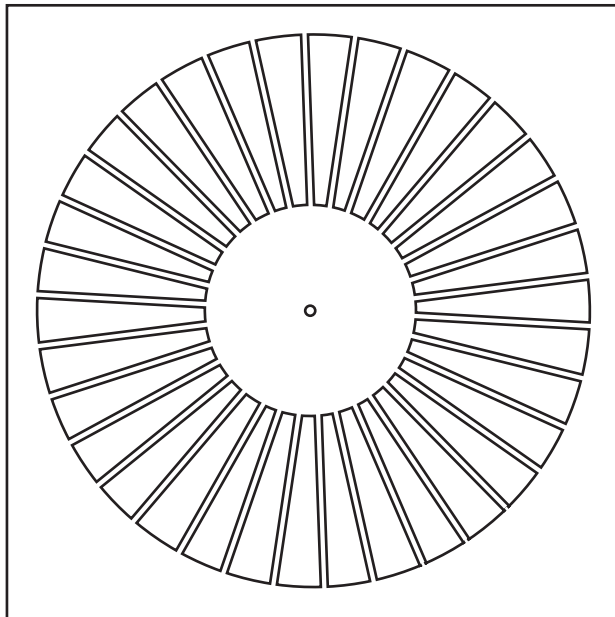
Contractor: _____

Swirl Face Supply Diffuser Fixed face - 2" Collar

Finish: Stamped heavy gauge steel
Material: Powder paint coating - white
Air Pattern: Fixed 360° spiral pattern
Mounting: Lay-in T-bar ceiling


DSWD

SUBMITTAL SHEET



✓	Model #	Duct Size	Neck Size	Face Dim B x B
	DSWD 2406	6	5 7/8"	23 7/8" x 23 7/8"
	DSWD 2408	8	7 7/8"	23 7/8" x 23 7/8"
	DSWD 2410	10	9 7/8"	23 7/8" x 23 7/8"
	DSWD 2412	12	11 7/8"	23 7/8" x 23 7/8"
	DSWD 2414	14	13 7/8"	23 7/8" x 23 7/8"

Finish	
<input type="checkbox"/> /W White (Default)	<input type="checkbox"/> /C Custom (Please Specify)



Schedule type: _____
 Job: _____
 Architect: _____
 Engineer: _____
 Contractor: _____

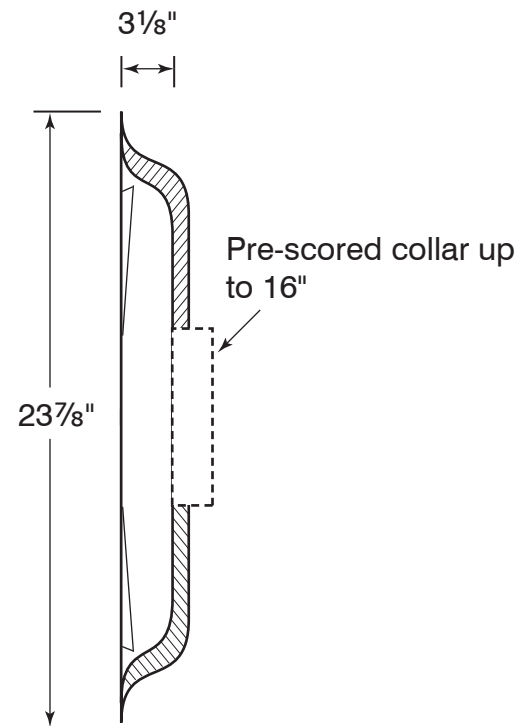
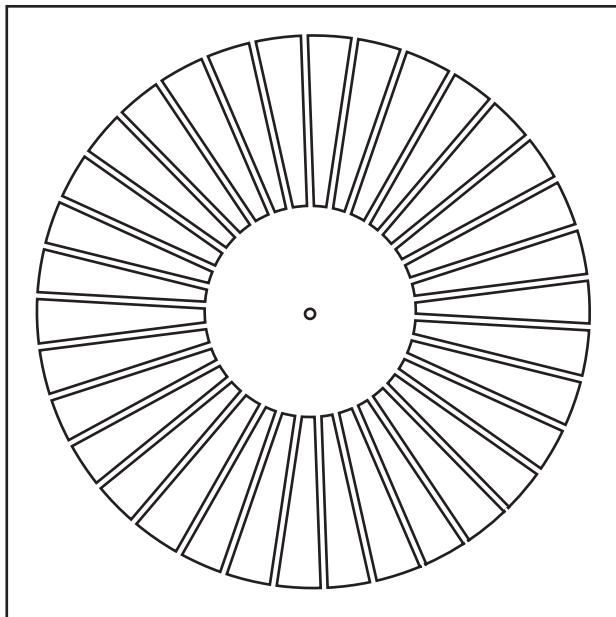
Swirl Face Supply Diffuser Fixed face

- Finish:** Stamped heavy gauge steel back panel.
- Material:** Powder paint coating - white.
- Air Pattern:** Fixed 360° spiral pattern.
- Mounting:** Lay-in T-bar ceiling.
- Insulation:** R6 Molded Fiberglass.



DSWI

Fiberglass back complies with A.S.T.M. E84 flame and smoke test. Scored for collar sizes up to 14" D.



Finish	
<input type="checkbox"/> /W White (Default)	<input type="checkbox"/> /C Custom (Please Specify) <input style="width: 100%;" type="text"/>



Schedule type: _____

Job: _____

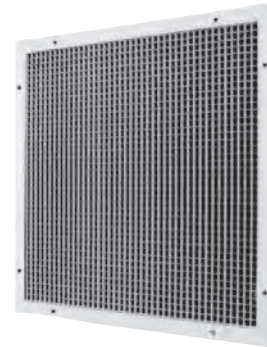
Architect: _____

Engineer: _____

Contractor: _____

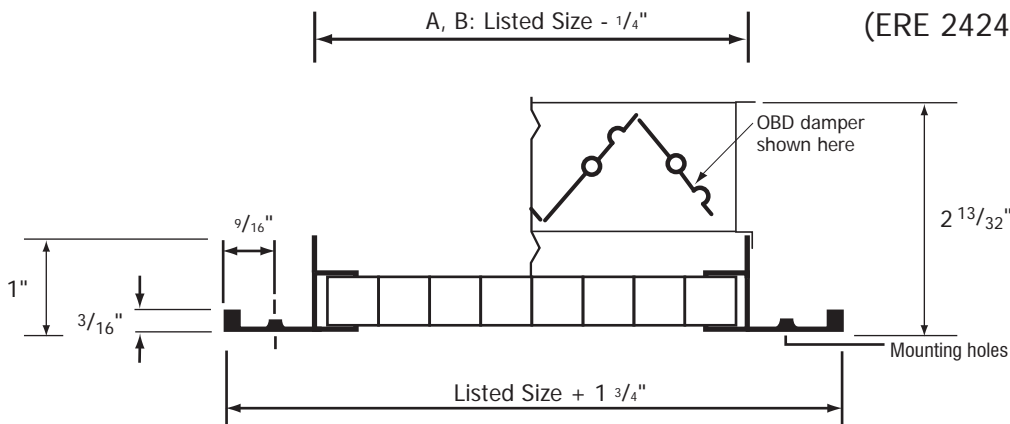
Eggcrate Return Grille for Surface Mount

- Material:** All aluminium construction.
Mounting: Drywall or any surface mounting.
 Countersunk mounting holes on frame.
Grid core: Aluminum 1/2" x 1 1/2" x 1/2".



- ERE** (without OBD damper) **ERE7** (with OBD damper)

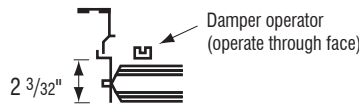
ERE / ERE7
(ERE 2424 shown here)



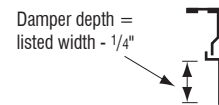
Size limits	Width A		Height B	
	in	mm	in	mm
Minimum	4	102	4	102
Maximum	48	1219	48	1219

Options	
<input type="checkbox"/> -GK	<input type="checkbox"/> -GN
Flange Gasket	Neck Gasket

#7 STEEL DAMPER FURNISHED ON LISTED WIDTHS OF 4" AND OVER (for 1" increments only)



#9 STEEL DAMPER FURNISHED ON LISTED WIDTHS UNDER 4"



Panel Option for T-bar lay-in Ceiling

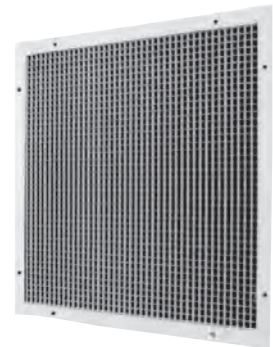
	Steel (WxH)	Aluminum (WxH)
	<input type="checkbox"/> -X1212	<input type="checkbox"/> -Y1212
	<input type="checkbox"/> -X1224	<input type="checkbox"/> -Y1224
	<input type="checkbox"/> -X2412	<input type="checkbox"/> -Y2412
	<input type="checkbox"/> -X2424	<input type="checkbox"/> -Y2424
	<input type="checkbox"/> -X2448	<input type="checkbox"/> -Y2448
	<input type="checkbox"/> -X4824	<input type="checkbox"/> -Y4824
	<input type="checkbox"/> -X2020	<input type="checkbox"/> -Y2020
	No fastening options available	

Finish	
<input type="checkbox"/> /W White (default)	<input type="checkbox"/> Custom (please specify)

Schedule type: _____
 Job: _____
 Architect: _____
 Engineer: _____
 Contractor: _____

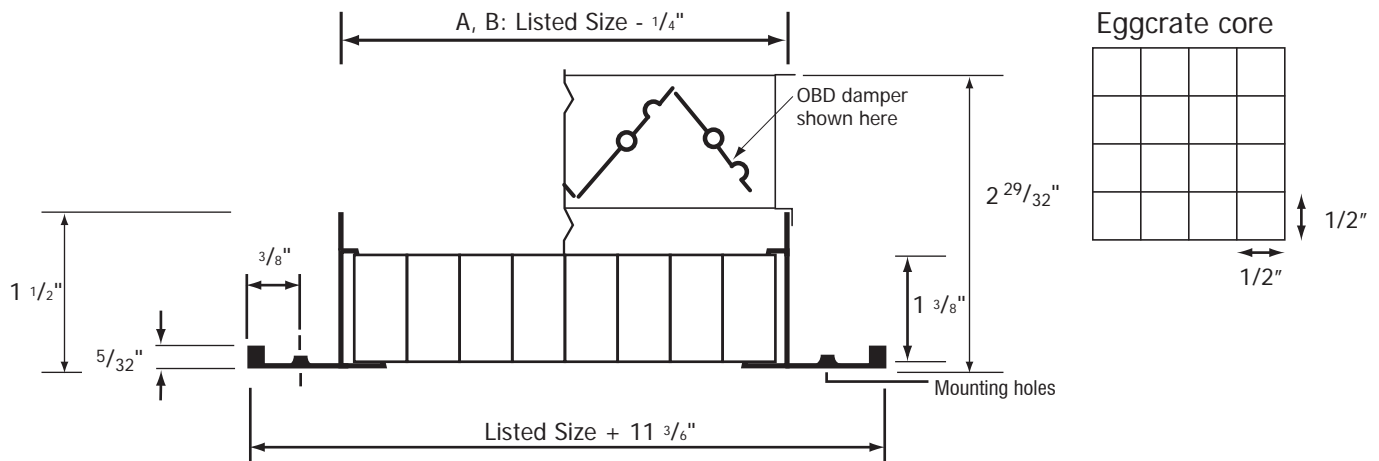
Eggcrate Return Grille for Surface Mount

Material: All aluminium construction.
Mounting: Drywall or any surface mounting.
 Countersunk mounting holes on frame.
Grid core: Aluminum 1/2" x 1/2" x 1".



ERE1 / ERE17
 (ERE 2424 shown here)

- ERE1** (without OBD damper)
- ERE17** (with OBD damper)



Options		
<input type="checkbox"/> -SF Supplied w/ sub frame	<input type="checkbox"/> -DS Debris (Bird) Screen	<input type="checkbox"/> -IS Insect Screen
<input type="checkbox"/> -GK Flange Gasket	<input type="checkbox"/> -GN Neck Gasket	

Size limits	Width A		Height B	
	in	mm	in	mm
Minimum	4	102	4	102
Maximum	48	1219	48	1219

Fastening Method	
<input type="checkbox"/> -1 No Fastening	<input type="checkbox"/> -3 Screw holes (Standard)



Panel Option for T-bar lay-in Ceiling	
Steel (WxH)	Aluminum (WxH)
<input type="checkbox"/> -X1212	<input type="checkbox"/> -Y1212
<input type="checkbox"/> -X1224	<input type="checkbox"/> -Y1224
<input type="checkbox"/> -X2412	<input type="checkbox"/> -Y2412
<input type="checkbox"/> -X2424	<input type="checkbox"/> -Y2424
<input type="checkbox"/> -X2448	<input type="checkbox"/> -Y2448
<input type="checkbox"/> -X4824	<input type="checkbox"/> -Y4824
<input type="checkbox"/> -X2020	<input type="checkbox"/> -Y2020

No fastening options available

Finish	
<input type="checkbox"/> /W White (default)	<input type="checkbox"/> Custom _____ (please specify)

Schedule type: _____

Job: _____

Architect: _____

Engineer: _____

Contractor: _____

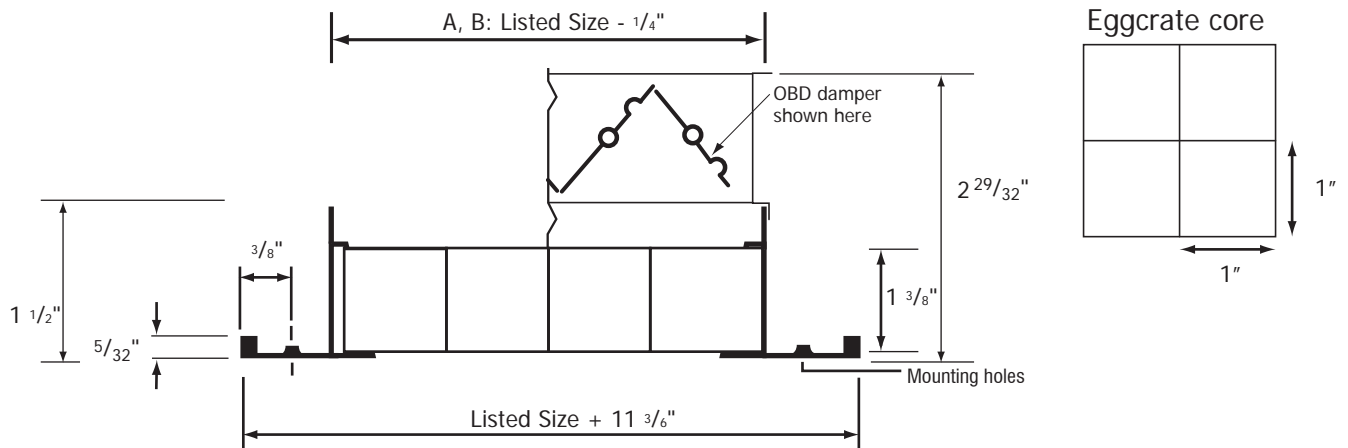
Eggcrate Return Grille for Surface Mount, 1" square cell size

- Material:** All aluminium construction.
Mounting: Drywall or any surface mounting.
 Countersunk mounting holes on frame.
Grid core: Aluminum 1" x 1" x 1".



ERE3 / ERE37

- ERE3** (without OBD damper)
 ERE37 (with OBD damper)



Options		
<input type="checkbox"/> -SF Supplied w/ sub frame	<input type="checkbox"/> -DS Debris (Bird) Screen	<input type="checkbox"/> -IS Insect Screen
<input type="checkbox"/> -GK Flange Gasket	<input type="checkbox"/> -GN Neck Gasket	

Size limits	Width A		Height B	
	in	mm	in	mm
Minimum	4	102	4	102
Maximum	48	1219	48	1219

Fastening Method	
<input type="checkbox"/> -1 No Fastening	<input type="checkbox"/> -3 Screw holes (Standard)



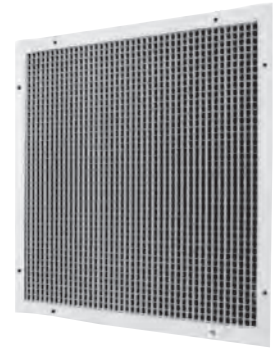
Panel Option for T-bar lay-in Ceiling		
	Steel (WxH)	Aluminum (WxH)
	<input type="checkbox"/> -X1212	<input type="checkbox"/> -Y1212
	<input type="checkbox"/> -X1224	<input type="checkbox"/> -Y1224
	<input type="checkbox"/> -X2412	<input type="checkbox"/> -Y2412
	<input type="checkbox"/> -X2424	<input type="checkbox"/> -Y2424
	<input type="checkbox"/> -X2448	<input type="checkbox"/> -Y2448
	<input type="checkbox"/> -X4824	<input type="checkbox"/> -Y4824
	<input type="checkbox"/> -X2020	<input type="checkbox"/> -Y2020

No fastening options available

Finish	
<input type="checkbox"/> /W White (default)	<input type="checkbox"/> Custom _____ (please specify)

Schedule type: _____
 Job: _____
 Architect: _____
 Engineer: _____
 Contractor: _____

Eggcrate Return Grille for Surface Mount 45° Angled Eggcrate



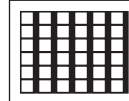
Material: All aluminium construction.
Mounting: Drywall or any surface mounting.
 Countersunk mounting holes on frame.
Grid core: Aluminum 1/2" x 1/2" x 1/2". 45° Angled Eggcrate Core

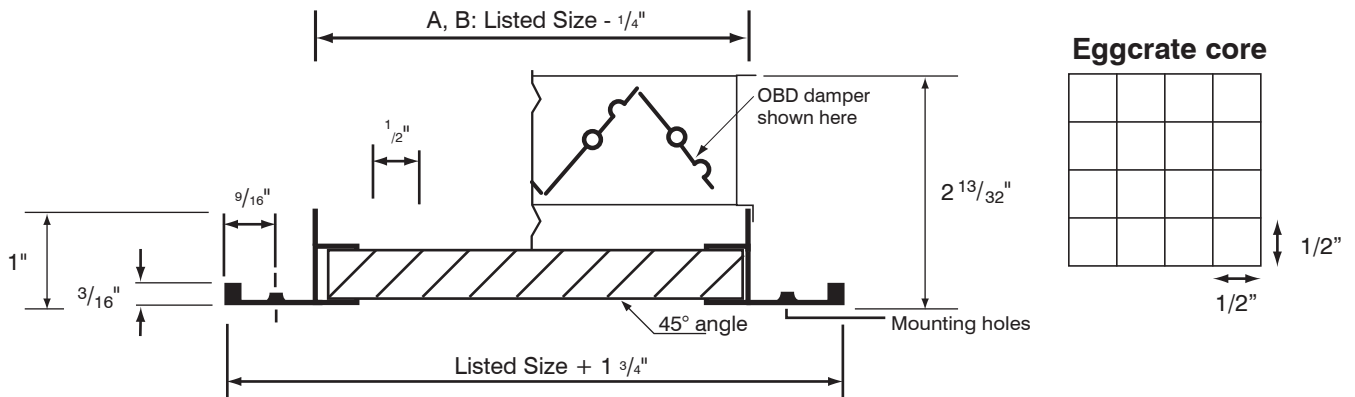
ERE5 / ERE57
(ERE 2424 shown here)

Horizontal Air Flow (Standard)

- ERE50**
 - ERE57** with OBD
- 

Vertical Face Bars


- ERE50-V**
 - ERE57-V** with OBD
- 



Options		
<input type="checkbox"/> -SF Supplied w/ sub frame	<input type="checkbox"/> -DS Debris (Bird) Screen	<input type="checkbox"/> -IS Insect Screen
<input type="checkbox"/> -GK Flange Gasket	<input type="checkbox"/> -GN Neck Gasket	

Size limits	Width A		Height B	
	in	mm	in	mm
Minimum	4	102	4	102
Maximum	48	1219	48	1219

Fastening Method	
<input type="checkbox"/> -1 No Fastening	<input type="checkbox"/> -3 Screw holes (Standard)




Panel Option for T-bar lay-in Ceiling		
	Steel (WxH)	Aluminum (WxH)
	<input type="checkbox"/> -X1212	<input type="checkbox"/> -Y1212
	<input type="checkbox"/> -X1224	<input type="checkbox"/> -Y1224
	<input type="checkbox"/> -X2412	<input type="checkbox"/> -Y2412
	<input type="checkbox"/> -X2424	<input type="checkbox"/> -Y2424
	<input type="checkbox"/> -X2448	<input type="checkbox"/> -Y2448
	<input type="checkbox"/> -X4824	<input type="checkbox"/> -Y4824
	<input type="checkbox"/> -X2020	<input type="checkbox"/> -Y2020
	No fastening options available	

Finish	
<input type="checkbox"/> /W White (default)	<input type="checkbox"/> /C Custom (please specify)

Schedule type: _____

Job: _____

Architect: _____

Engineer: _____

Contractor: _____

Aluminum Egg Crate Return with Molded Fiberglass Back Panel

- Material:** Molded fiberglass back with aluminum foil vapor barrier scored for 6" to 14" D. in an extruded aluminum fixed frame.
- Grid core:** Aluminum 1/2" X 1/2" X 1/2".
- Finish:** Powder paint coating - white.
- Mounting:** T-bar Lay-in ceiling.

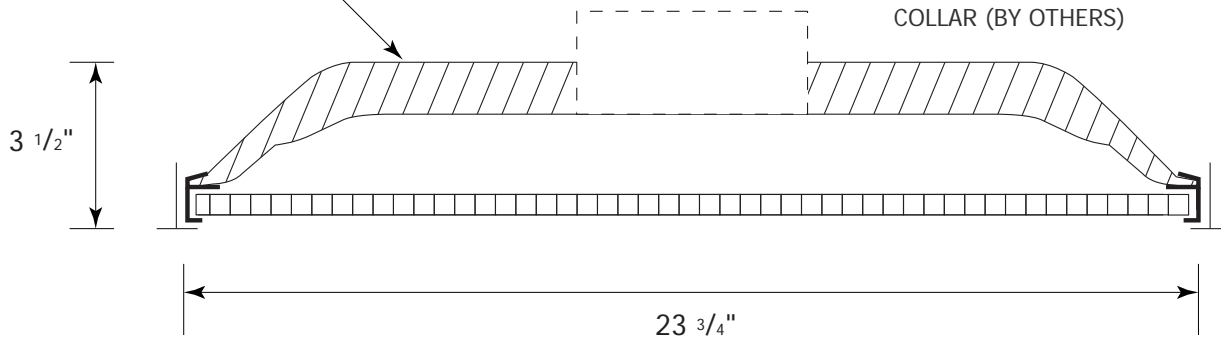


SUBMITTAL SHEET

ERI

Fiberglass back complies with A.S.T.M. E84 flame and smoke test. Scored for collar sizes up to 14" D.

 R4

 R6


Schedule type: _____

Job: _____

Architect: _____

Engineer: _____

Contractor: _____

SUBMITTAL SHEET

Aluminum Egg Crate Return with Molded Fiberglass Back Panel 45° Angled Eggcrate

- Material:** Molded fiberglass back with aluminum foil vapor barrier scored for 6" to 14" D. in an extruded aluminum fixed frame.
- Grid core:** Aluminum 1/2" X 1/2" X 1/2" 45° Angled Eggcrate Core.
- Finish:** Powder paint coating - white.
- Mounting:** T-bar Lay-in ceiling.

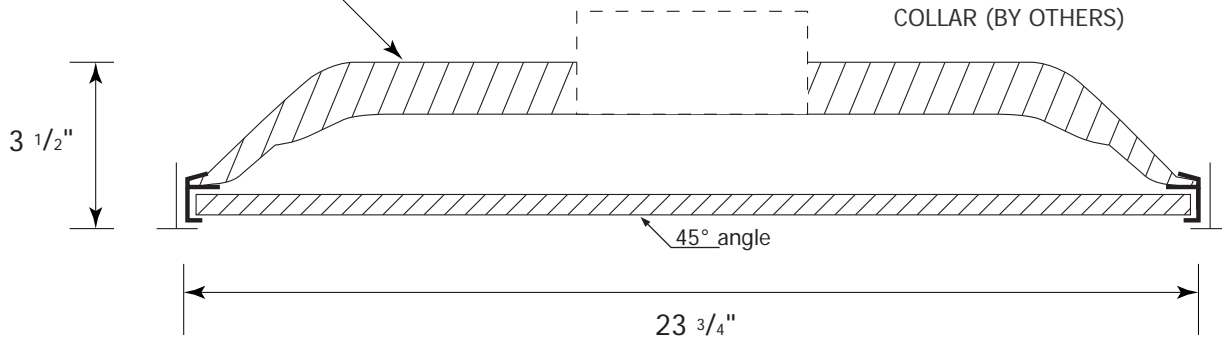


ERI5

Fiberglass back complies with A.S.T.M. E84 flame and smoke test. Scored for collar sizes up to 14" D.

R4

R6



Schedule type: _____

Job: _____

Architect: _____

Engineer: _____

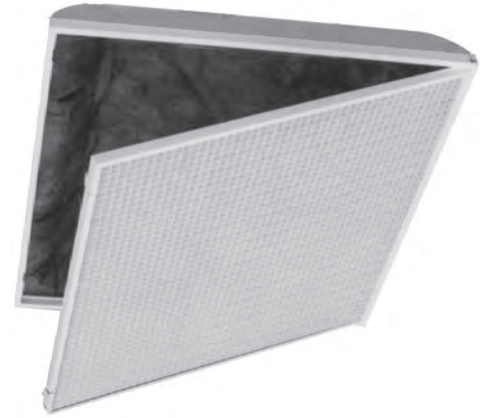
Contractor: _____

Aluminum Egg Crate Filter Return with Molded Fiberglass Back Panel Hinged face

Material: Molded fiberglass back with aluminum foil vapor barrier scored for 6" to 14" D. in an extruded aluminum fixed frame. Aluminum grid 1/2"x1/2"x1/2" in hinged extruded aluminum U frame, swing in and out of fixed frame for access to 20"x20" filter, by others.

Finish: Powder paint coating - white.

Mounting: T-bar Lay-in ceiling.

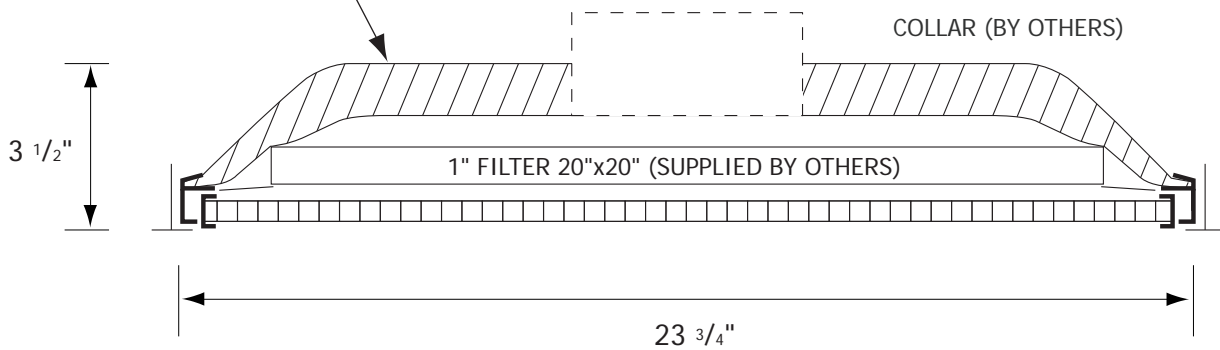


ERIF

SUBMITTAL SHEET

Fiberglass back complies with A.S.T.M. E84 flame and smoke test. Scored for collar sizes up to 14" D.

R4 R6



Finish	
<input type="checkbox"/> /W White (default)	<input type="checkbox"/> Custom (please specify) _____



Schedule type: _____

Job: _____

Architect: _____

Engineer: _____

Contractor: _____

SUBMITTAL SHEET

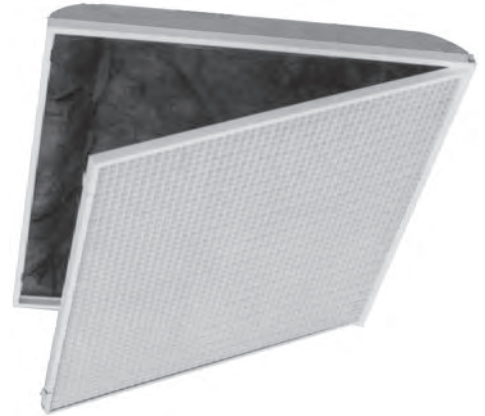
Aluminum Egg Crate Filter Return with Molded Fiberglass Back Panel Hinged face - 45° Angled Eggcrate

Material: Molded fiberglass back with aluminum foil vapor barrier scored for 6" to 14" D. in an extruded aluminum fixed frame. Aluminum grid 1/2"x1/2"x1/2" in hinged extruded aluminum U frame, swing in and out of fixed frame for access to 20"x20" filter, by others.

Finish: Powder paint coating - white.

Mounting: T-bar Lay-in ceiling.

Grid core: 45° Angled Eggcrate Core

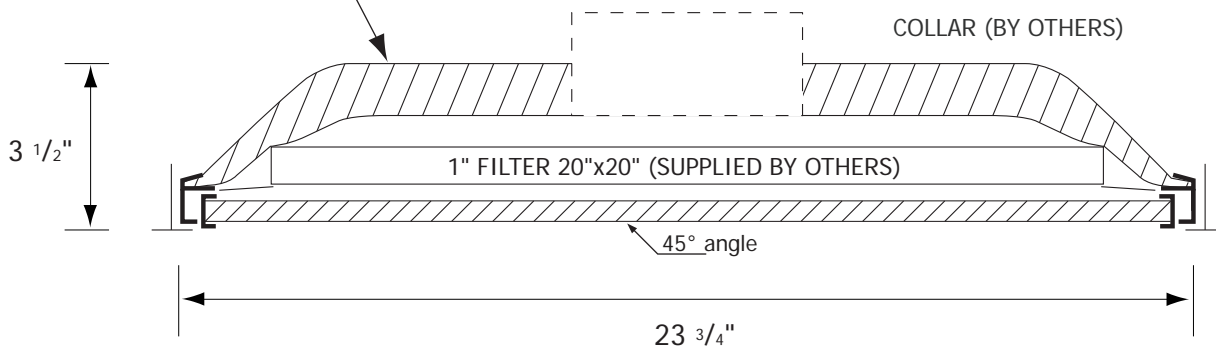


ERIF5

Fiberglass back complies with A.S.T.M. E84 flame and smoke test. Scored for collar sizes up to 14" D.

R4

R6



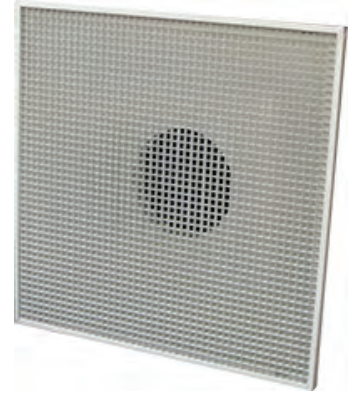
Finish	
<input type="checkbox"/> /W White (default)	<input type="checkbox"/> Custom (please specify) _____



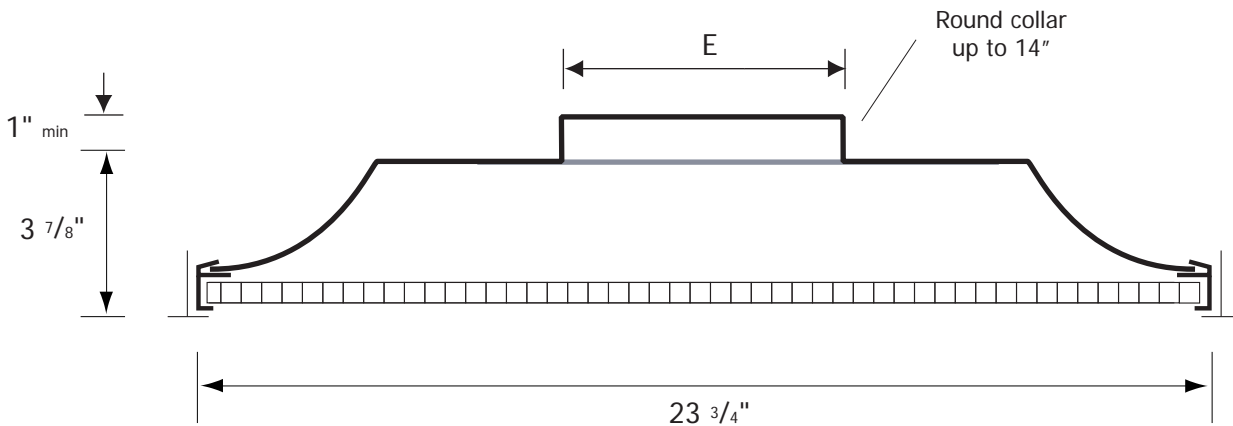
Schedule type: _____
Job: _____
Architect: _____
Engineer: _____
Contractor: _____

Aluminum Egg Crate Return with Steel Back Panel

- Material:** Stamped heavy gauge steel in an extruded aluminum fixed frame.
- Grid core:** Aluminum 1/2" X 1/2" X 1/2".
- Finish:** Powder paint coating - white.
- Mounting:** T-bar Lay-in ceiling.



ERM



✓	Model #	Duct Size	E	Face Dim
	ERM 1206	6	5 7/8"	11 3/4" x 11 3/4"
	ERM 1208	8	7 7/8"	11 3/4" x 11 3/4"
	ERM 2406	6	5 7/8"	23 3/4" x 23 3/4"
	ERM 2408	8	7 7/8"	23 3/4" x 23 3/4"
	ERM 2410	10	9 7/8"	23 3/4" x 23 3/4"
	ERM 2412	12	11 7/8"	23 3/4" x 23 3/4"
	ERM 2414	14	13 7/8"	23 3/4" x 23 3/4"
	ERM 2416	16	15 7/8"	23 3/4" x 23 3/4"

Finish	
<input type="checkbox"/> /W White (Default)	<input type="checkbox"/> /C Custom (Please Specify)



Schedule type: _____

Job: _____

Architect: _____

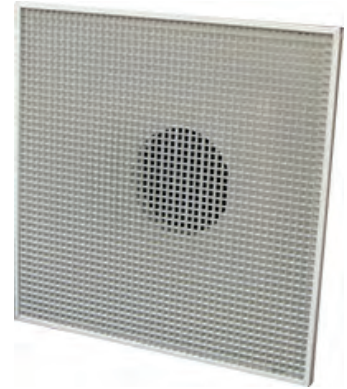
Engineer: _____

Contractor: _____

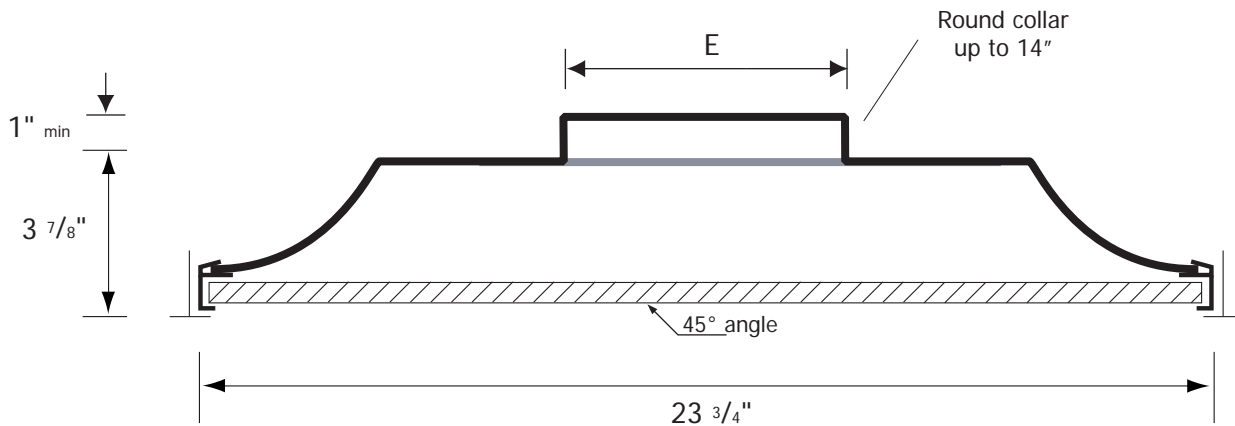
SUBMITTAL SHEET

Aluminum Egg Crate Return with Steel Back Panel 45° Angled Eggcrate

- Material:** Stamped heavy gauge steel in an extruded aluminum fixed frame.
- Grid core:** Aluminum 1/2" X 1/2" X 1/2" - 45° Angled Eggcrate Core.
- Finish:** Powder paint coating - white.
- Mounting:** T-bar Lay-in ceiling.



ERM5



✓	Model #	Duct Size	E	Face Dim
	ERM5 1206	6	5 7/8"	11 3/4" x 11 3/4"
	ERM5 1208	8	7 7/8"	11 3/4" x 11 3/4"
	ERM5 2406	6	5 7/8"	23 3/4" x 23 3/4"
	ERM5 2408	8	7 7/8"	23 3/4" x 23 3/4"
	ERM5 2410	10	9 7/8"	23 3/4" x 23 3/4"
	ERM5 2412	12	11 7/8"	23 3/4" x 23 3/4"
	ERM5 2414	14	13 7/8"	23 3/4" x 23 3/4"
	ERM5 2416	16	15 7/8"	23 3/4" x 23 3/4"

Finish	
<input type="checkbox"/> /W White (default)	<input type="checkbox"/> Custom (please specify)



Schedule type: _____

Job: _____

Architect: _____

Engineer: _____

Contractor: _____

Aluminum Egg Crate Filter Return with Steel Back Panel Hinged face

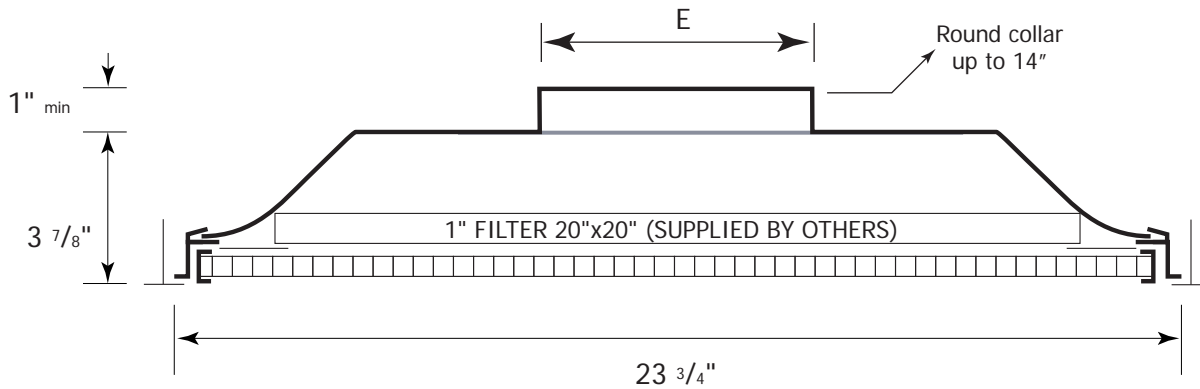
Material: Stamped heavy gauge steel back panels with reinforcing corners. Aluminum grid 1/2"x 1/2"x 1/2" in hinged extruded aluminum U frame swings in and out of fixed frame for access to 20" x 20" filter, by others.

Finish: Powder paint coating - white.
Mounting: T-bar Lay-in ceiling.



ERMF

SUBMITTAL SHEET



Finish	
<input type="checkbox"/> /W White (Default)	<input type="checkbox"/> /C Custom (Please Specify)



✓	Model #	Duct Size	E	Face Dim
	ERMF 2406	6	5 7/8"	23 3/4" x 23 3/4"
	ERMF 2408	8	7 7/8"	23 3/4" x 23 3/4"
	ERMF 2410	10	9 7/8"	23 3/4" x 23 3/4"
	ERMF 2412	12	11 7/8"	23 3/4" x 23 3/4"
	ERMF 2414	14	13 7/8"	23 3/4" x 23 3/4"

Schedule type: _____

Job: _____

Architect: _____

Engineer: _____

Contractor: _____

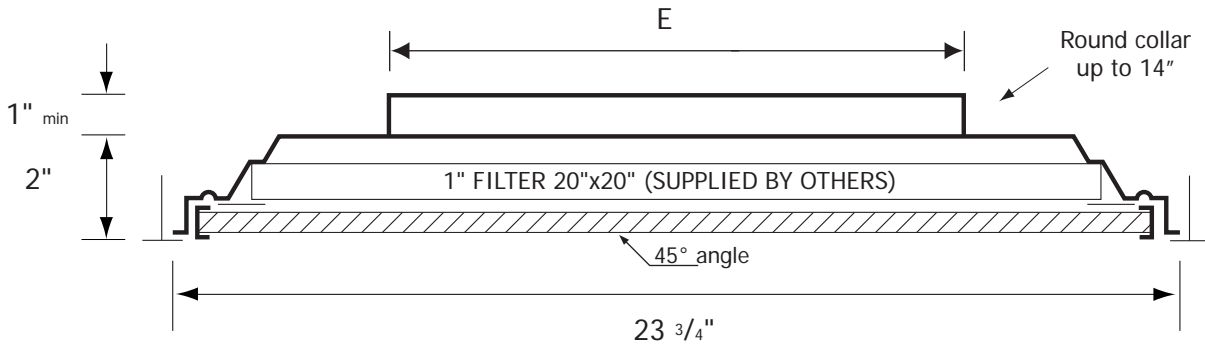
SUBMITTAL SHEET

Aluminum Egg Crate Filter Return with Steel Back Panel - Hinged face 45° Angled Eggcrate

- Material:** Stamped heavy gauge steel back panels with reinforcing corners. Aluminum grid 1/2"x 1/2"x 1/2" in hinged extruded aluminum U frame swings in and out of fixed frame for access to 20" x 20" filter, by others.
- Grid core:** 45° Angled Eggcrate Core
- Finish:** Powder paint coating - white.
- Mounting:** T-bar Lay-in ceiling.



ERMF5



Finish

<input type="checkbox"/> /W White (default)	<input type="checkbox"/> Custom (please specify)
--	---



✓	Model #	Duct Size	E	Face Dim
	ERMF5 2406	6	5 7/8"	23 3/4" x 23 3/4"
	ERMF5 2408	8	7 7/8"	23 3/4" x 23 3/4"
	ERMF5 2410	10	9 7/8"	23 3/4" x 23 3/4"
	ERMF5 2412	12	11 7/8"	23 3/4" x 23 3/4"
	ERMF5 2414	14	13 7/8"	23 3/4" x 23 3/4"

Schedule type: _____

Job: _____

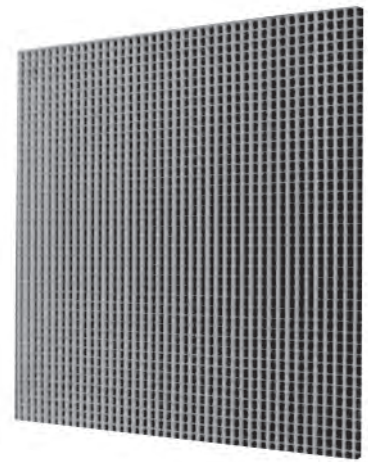
Architect: _____

Engineer: _____

Contractor: _____

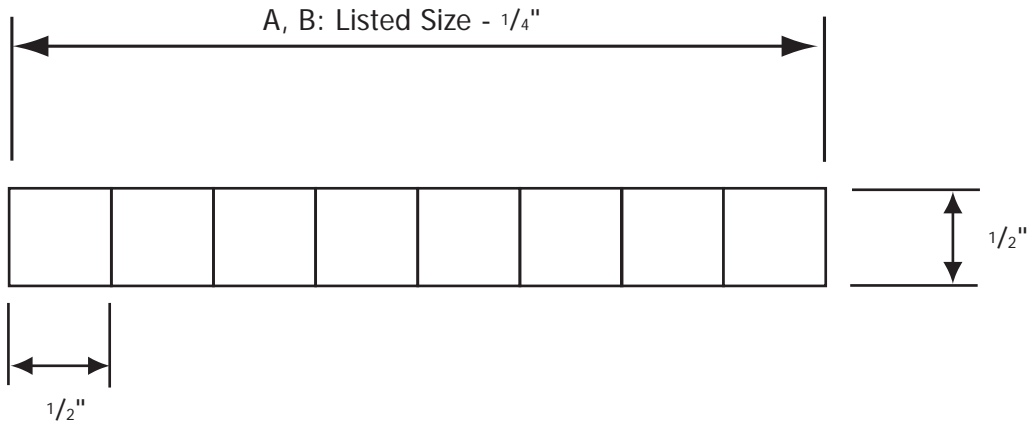
Eggcrate Return Grille - Core Only

Material: All aluminum
Mounting: Lay-in T-bar ceiling
Grid core: Aluminum 1/2" X 1/2" X 1/2"
 Custom Face Dimensions Available
 up to 48" x 24"



ERN
Aluminum Grid Core

SUBMITTAL SHEET



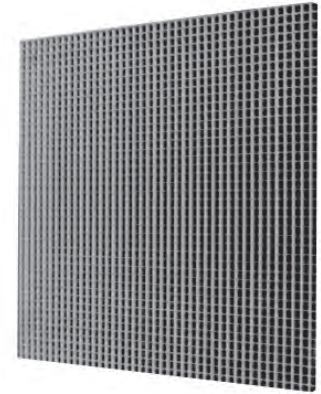
✓	Model Listed Size	Face Dim. A x B
	ERN 1212	11 3/4" x 11 3/4"
	ERN 2412	23 3/4" x 11 3/4"
	ERN 2424	23 3/4" x 23 3/4"
	ERN 4824	47 3/4" x 23 3/4"
	ERN _____ A (Length) B (Width) Max Size 48" x 24"	A - 1/4" " x B - 1/4"

Finish		
<input type="checkbox"/> /W White (default)	<input type="checkbox"/> /M Mill (Raw Aluminum)	<input type="checkbox"/> Custom _____ (please specify)

Schedule type: _____
Job: _____
Architect: _____
Engineer: _____
Contractor: _____

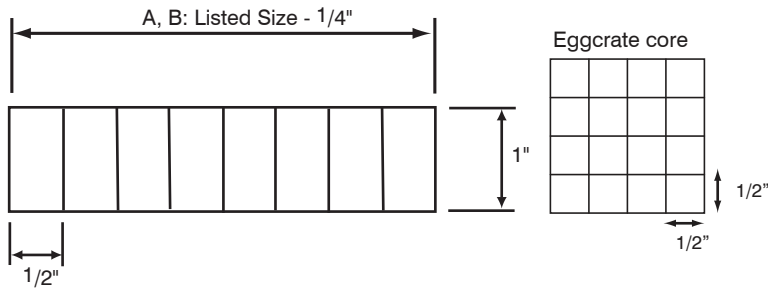
Eggcrate Return Grille - Core Only

Material: All aluminum.
Mounting: Lay-in T-bar ceiling.
Grid cores: ERN1: 1/2" X 1/2" X 1"
 ERN3: 1" X 1" X 1"
 ERN5: 1/2" X 1/2" X 1/2"

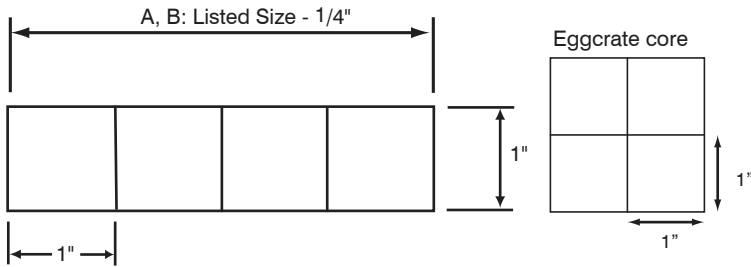


ERN1
(Aluminum Grid Core)

ERN1



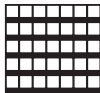
ERN3



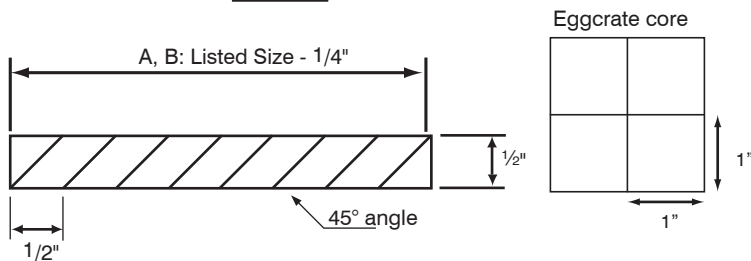
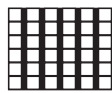
ERN5

Horizontal Air Flow (Standard) **Vertical Air Flow**

FER55



FER55-V



ERN			Listed Size	Face Dim. A x B
<input checked="" type="checkbox"/>	1	3	5	
			1212	11 3/4" x 11 3/4"
			2406	23 3/4" x 5 3/4"
			2408	23 3/4" x 7 3/4"
			2412	23 3/4" x 11 3/4"
			2424	23 3/4" x 23 3/4"
			4806	47 3/4" x 5 3/4"
			4808	47 3/4" x 7 3/4"
			4812	47 3/4" x 11 3/4"
			4824	47 3/4" x 23 3/4"
			Custom Dim.	A - 1/4" x B - 1/4"
			A (Length) B (Width) (please specify) Max Size 48" x 24"	

Finish

<input type="checkbox"/> /W White (Default)	<input type="checkbox"/> /M Mill	<input type="checkbox"/> /C Custom (Please Specify)
--	-------------------------------------	---



Schedule type: _____

Job: _____

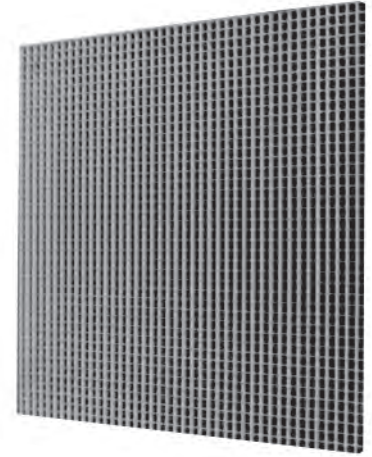
Architect: _____

Engineer: _____

Contractor: _____

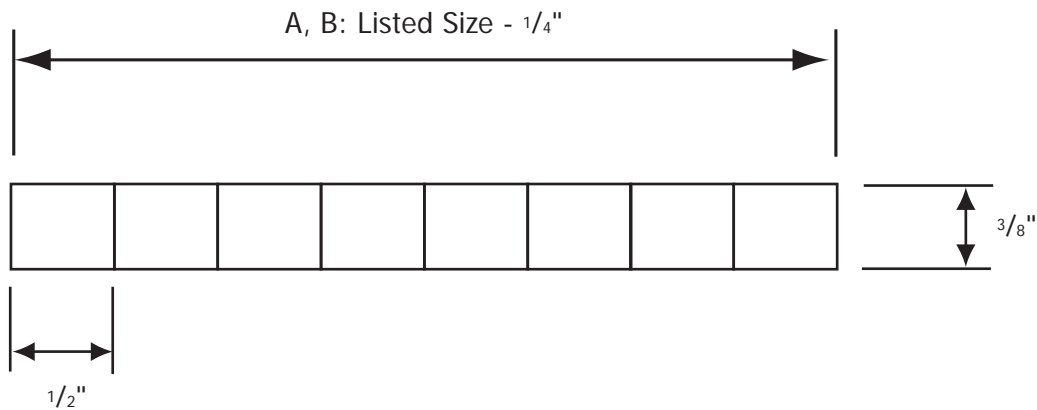
Eggcrate Return Grille - Core Only

Material: Polystyrene-based material.
Finish: White color.
Mounting: Lay-in T-bar ceiling.
Grid core: Plastic $\frac{1}{2}$ " X $\frac{1}{2}$ " X $\frac{3}{8}$ ".



ERN-P
Plastic Grid Core

SUBMITTAL SHEET



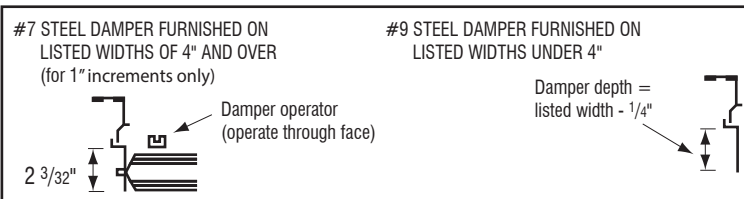
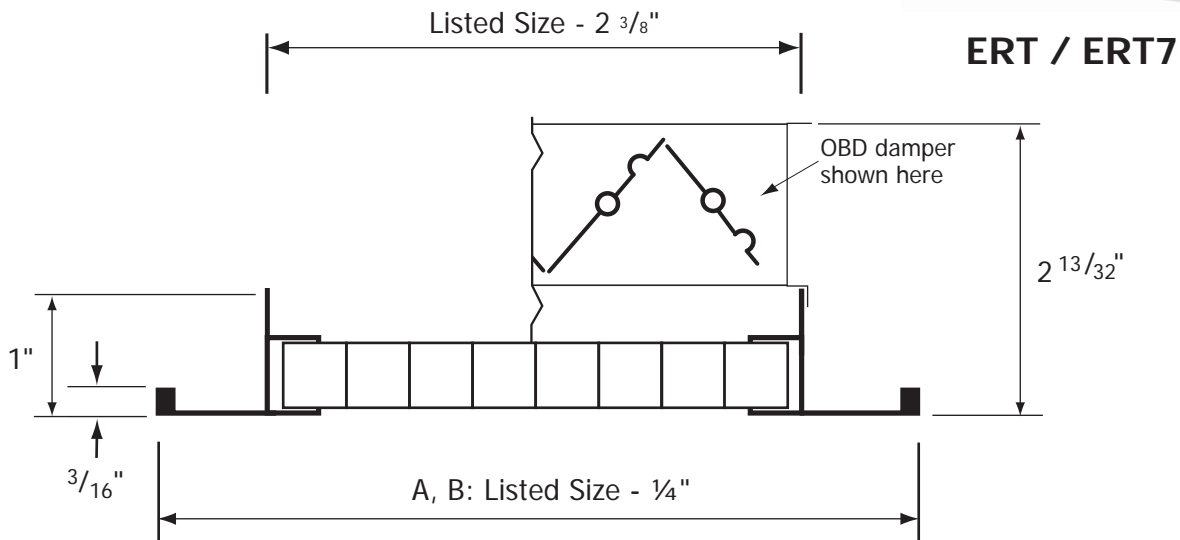
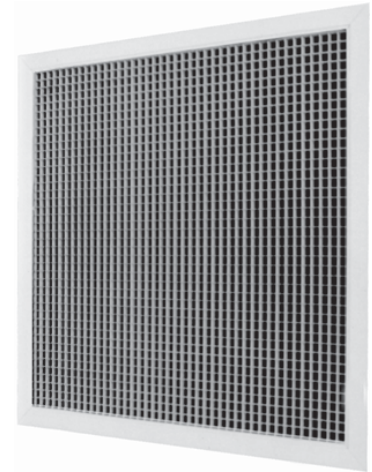
Any even dimension up to 48"x24" available

✓	Model Listed Size	Face Dim. A x B
	ERN-P 1212	11 $\frac{3}{4}$ " x 11 $\frac{3}{4}$ "
	ERN-P 2412	23 $\frac{3}{4}$ " x 11 $\frac{3}{4}$ "
	ERN-P 2424	23 $\frac{3}{4}$ " x 23 $\frac{3}{4}$ "
	ERN-P 4824	47 $\frac{3}{4}$ " x 23 $\frac{3}{4}$ "
	ERN-P _____ A (Length) B (Width) Max Size 48" x 24"	A - $\frac{1}{4}$ " " X B - $\frac{1}{4}$ "

Schedule type: _____
Job: _____
Architect: _____
Engineer: _____
Contractor: _____

Eggcrate Return Grille, T-Bar Mount

- Material:** All aluminium construction.
Mounting: Lay-in T-bar ceiling.
 No mounting holes. 1 1/4" Frame
Grid core: Aluminium 1/2" X 1/2" X 1/2".



✓	Model #	Face Dim. A x B	Neck
	ERT 1212	11 3/4" x 11 3/4"	9 5/8" x 9 5/8"
	ERT 2412	23 3/4" x 11 3/4"	21 5/8" x 9 5/8"
	ERT 2424	23 3/4" x 23 3/4"	21 5/8" x 21 5/8"
	ERT 4812	47 3/4" x 11 3/4"	46 5/8" x 9 5/8"
	ERT 4824	47 3/4" x 23 3/4"	46 5/8" x 21 5/8"
	ERT7 1212	11 3/4" x 11 3/4"	9 5/8" x 9 5/8"
	ERT7 2412	23 3/4" x 11 3/4"	21 5/8" x 9 5/8"
	ERT7 2424	23 3/4" x 23 3/4"	21 5/8" x 21 5/8"
	ERT7 4812	47 3/4" x 11 3/4"	46 5/8" x 9 5/8"
	ERT7 4824	47 3/4" x 23 3/4"	46 5/8" x 21 5/8"

Custom dimensions available upon request.

Finish	
<input type="checkbox"/> /W White (default)	<input type="checkbox"/> Custom (please specify) _____



Schedule type: _____

Job: _____

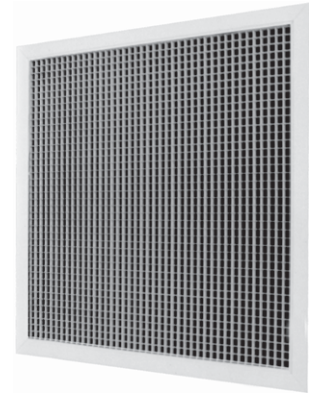
Architect: _____

Engineer: _____

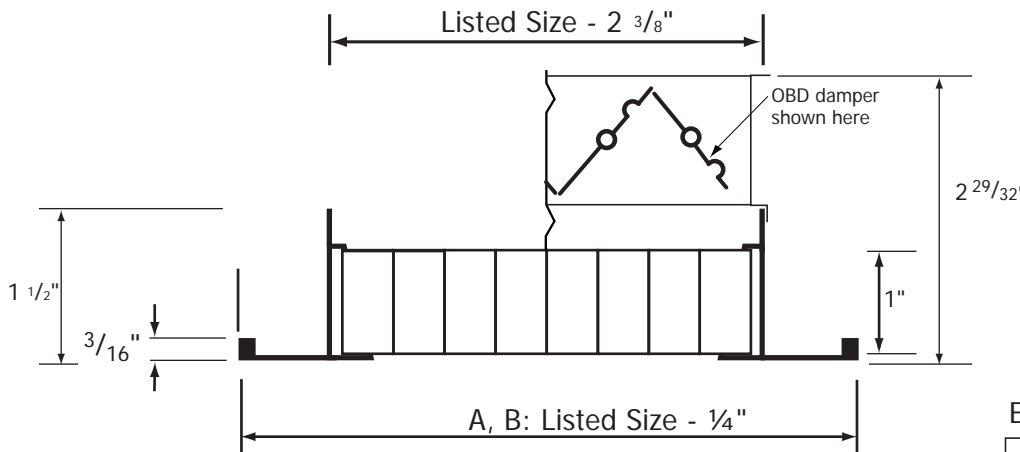
Contractor: _____

Eggcrate Return Grille 1" thick core, T-Bar Mount

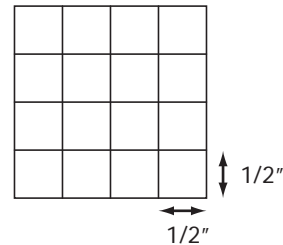
- Material:** All aluminium construction.
Mounting: Lay-in T-bar ceiling.
 No mounting holes. 1 1/4" Frame
Grid core: Aluminium 1/2" X 1/2" X 1".



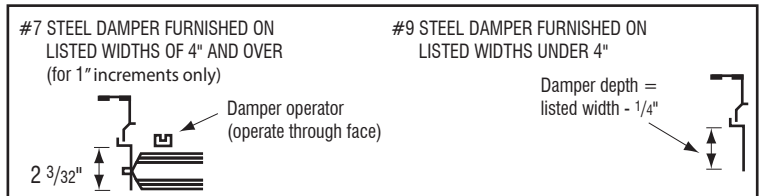
ERT1 / ERT17



Eggcrate core



✓	Model #	Face Dim. A x B	Neck
	ERT1 1212	11 3/4" x 11 3/4"	9 5/8" x 9 5/8"
	ERT1 2412	23 3/4" x 11 3/4"	21 5/8" x 9 5/8"
	ERT1 2424	23 3/4" x 23 3/4"	21 5/8" x 21 5/8"
	ERT1 4812	47 3/4" x 11 3/4"	46 5/8" x 9 5/8"
	ERT1 4824	47 3/4" x 23 3/4"	46 5/8" x 21 5/8"
	ERT17 1212	11 3/4" x 11 3/4"	9 5/8" x 9 5/8"
	ERT17 2412	23 3/4" x 11 3/4"	21 5/8" x 9 5/8"
	ERT17 2424	23 3/4" x 23 3/4"	21 5/8" x 21 5/8"
	ERT17 4812	47 3/4" x 11 3/4"	46 5/8" x 9 5/8"
	ERT17 4824	47 3/4" x 23 3/4"	46 5/8" x 21 5/8"



Custom dimensions available upon request.

Panel Option for T-bar lay-in Ceiling		Steel (WxH)	Aluminum (WxH)
	<input type="checkbox"/>	-X1212	<input type="checkbox"/> -Y1212
	<input type="checkbox"/>	-X2412	<input type="checkbox"/> -Y2412
	<input type="checkbox"/>	-X2424	<input type="checkbox"/> -Y2424
	<input type="checkbox"/>	-X4812	<input type="checkbox"/> -Y4812
	<input type="checkbox"/>	-X4824	<input type="checkbox"/> -Y4824

No fastening options available

Finish	
<input type="checkbox"/> /W White <small>(default)</small>	<input type="checkbox"/> Custom _____ <small>(please specify)</small>



Schedule type: _____

Job: _____

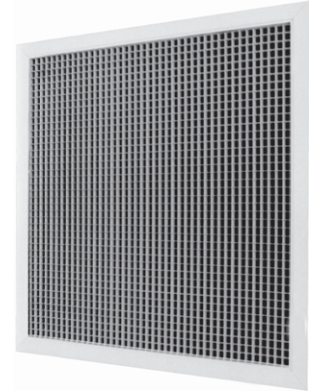
Architect: _____

Engineer: _____

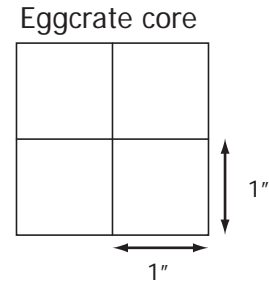
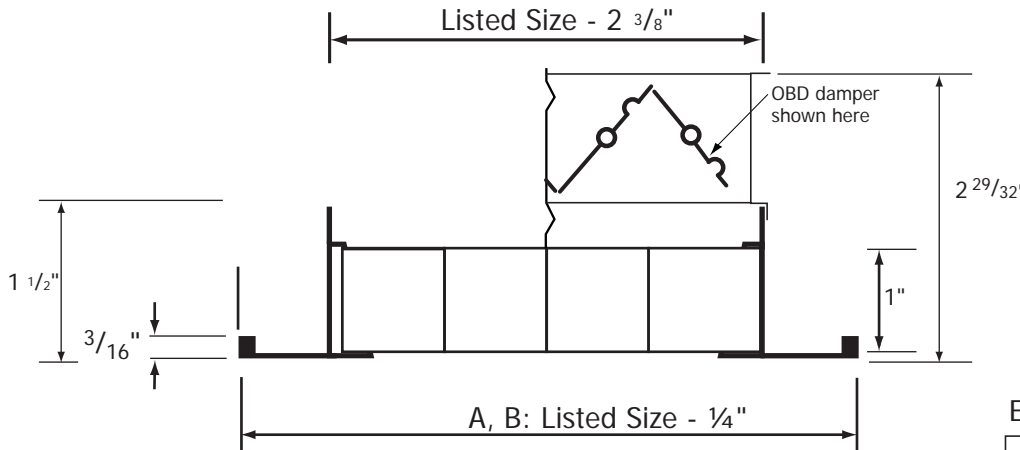
Contractor: _____

Eggcrate Return Grille, T-Bar Mount, 1" square cell size

- Material:** All aluminium construction.
Mounting: Lay-in T-bar ceiling.
 No mounting holes. 1 1/4" Frame
Grid core: Aluminium 1" x 1" x 1".

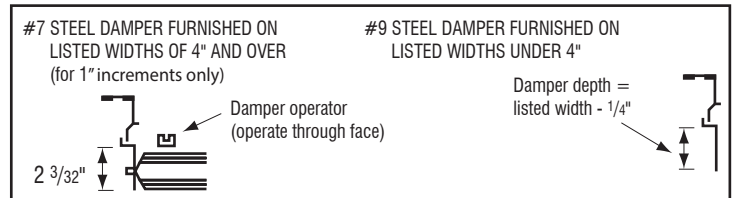


ERT3 / ERT37



✓	Model #	Face Dim. A x B	Neck
	ERT3 1212	11 3/4" x 11 3/4"	9 5/8" x 9 5/8"
	ERT3 2412	23 3/4" x 11 3/4"	21 5/8" x 9 5/8"
	ERT3 2424	23 3/4" x 23 3/4"	21 5/8" x 21 5/8"
	ERT3 4812	47 3/4" x 11 3/4"	46 5/8" x 9 5/8"
	ERT3 4824	47 3/4" x 23 3/4"	46 5/8" x 21 5/8"
	ERT37 1212	11 3/4" x 11 3/4"	9 5/8" x 9 5/8"
	ERT37 2412	23 3/4" x 11 3/4"	21 5/8" x 9 5/8"
	ERT37 2424	23 3/4" x 23 3/4"	21 5/8" x 21 5/8"
	ERT37 4812	47 3/4" x 11 3/4"	46 5/8" x 9 5/8"
	ERT37 4824	47 3/4" x 23 3/4"	46 5/8" x 21 5/8"

Custom dimensions available upon request.



Panel Option for T-bar lay-in Ceiling		Steel (WxH)	Aluminum (WxH)
<p>No fastening options available</p>	<input type="checkbox"/>	-X1212	<input type="checkbox"/> -Y1212
	<input type="checkbox"/>	-X2412	<input type="checkbox"/> -Y2412
	<input type="checkbox"/>	-X2424	<input type="checkbox"/> -Y2424
	<input type="checkbox"/>	-X4812	<input type="checkbox"/> -Y4812
	<input type="checkbox"/>	-X4824	<input type="checkbox"/> -Y4824

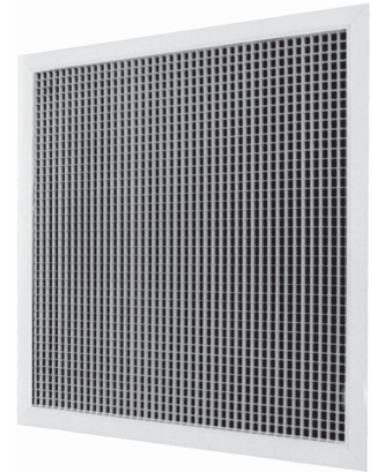
Finish	
<input type="checkbox"/> /W White (default)	<input type="checkbox"/> Custom (please specify) _____



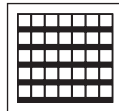
Schedule type: _____
 Job: _____
 Architect: _____
 Engineer: _____
 Contractor: _____

Eggcrate Return Grille, T-Bar Mount 45° Angled Eggcrate

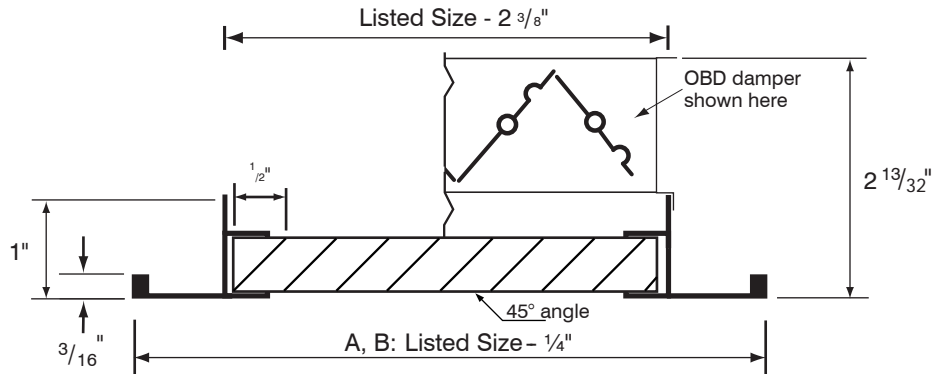
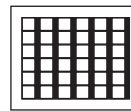
- Material:** All aluminium construction.
- Mounting:** Lay-in T-bar ceiling.
No mounting holes. 1 1/4" Frame
- Grid core:** Aluminium 1/2" x 1/2" x 1/2"
45° Angled Eggcrate Core


ERT5 / ERT57
Horizontal Air Flow (Standard)

- ERT5**
- ERT57** with OBD

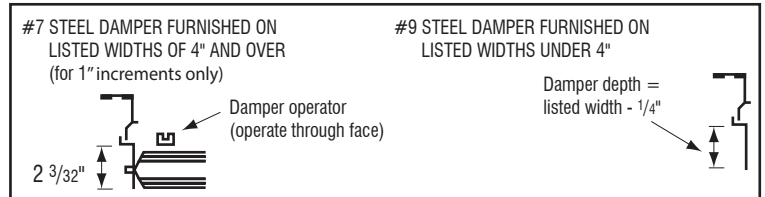

Vertical Face Bars

- ERT5-V**
- ERT57-V** with OBD



✓	Model #	Face Dim. A x B	Neck
	ERT5 1212	11 3/4" x 11 3/4"	9 5/8" x 9 5/8"
	ERT5 2412	23 3/4" x 11 3/4"	21 5/8" x 9 5/8"
	ERT5 2424	23 3/4" x 23 3/4"	21 5/8" x 21 5/8"
	ERT5 4812	47 3/4" x 11 3/4"	46 5/8" x 9 5/8"
	ERT5 4824	47 3/4" x 23 3/4"	46 5/8" x 21 5/8"
	ERT57 1212	11 3/4" x 11 3/4"	9 5/8" x 9 5/8"
	ERT57 2412	23 3/4" x 11 3/4"	21 5/8" x 9 5/8"
	ERT57 2424	23 3/4" x 23 3/4"	21 5/8" x 21 5/8"
	ERT57 4812	47 3/4" x 11 3/4"	46 5/8" x 9 5/8"
	ERT57 4824	47 3/4" x 23 3/4"	46 5/8" x 21 5/8"

Custom dimensions available upon request.



Finish	
<input type="checkbox"/> /W White (default)	<input type="checkbox"/> /C Custom _____ (please specify)

Panel Option for T-bar lay-in Ceiling

	Steel (WxH)		Aluminum (WxH)	
	<input type="checkbox"/> -X1212	<input type="checkbox"/> -Y1212	<input type="checkbox"/> -X2412	<input type="checkbox"/> -Y2412
<input type="checkbox"/> -X2424	<input type="checkbox"/> -Y2424	<input type="checkbox"/> -X4812	<input type="checkbox"/> -Y4812	
<input type="checkbox"/> -X4824	<input type="checkbox"/> -Y4824			

No fastening options available

Schedule type: _____

Job: _____

Architect: _____

Engineer: _____

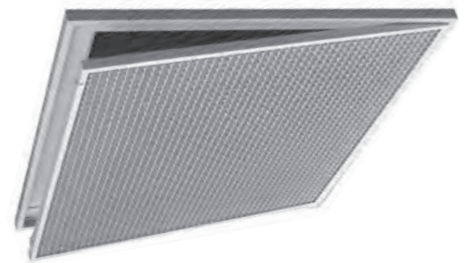
Contractor: _____

SUBMITTAL SHEET

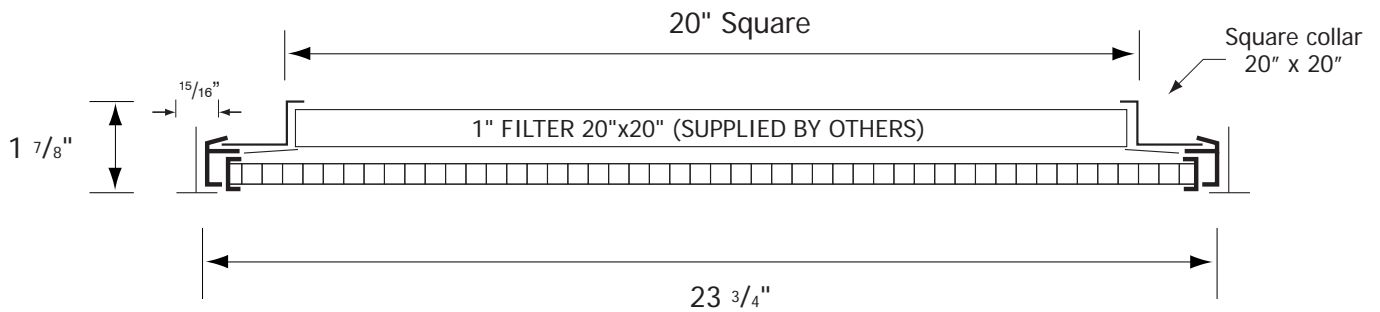
Aluminum Egg Crate Filter Return with 20" x 20" Filter Frame Hinged face - Steel Back

Material: Steel filter frame will accept 20"x20" standard 1" filter. Aluminum egg crate grid 1/2"x1/2"x1/2" in hinged extruded aluminum U frame, swings in and out of fixed frame for access to 20" x 20" filter, by others.

Finish: Powder paint coating - white.
Mounting: T-bar Lay-in ceiling.



ERTF



Mounting	
<input type="checkbox"/> -NT	Narrow T-bar

Finish	
<input type="checkbox"/> /W	White (Default)
<input type="checkbox"/> /C	Custom (Please Specify)



Schedule type: _____

Job: _____

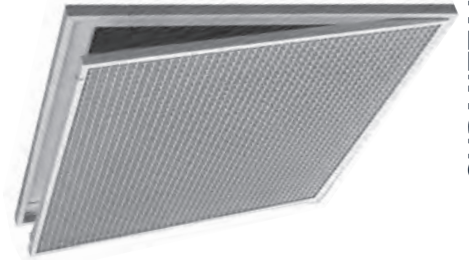
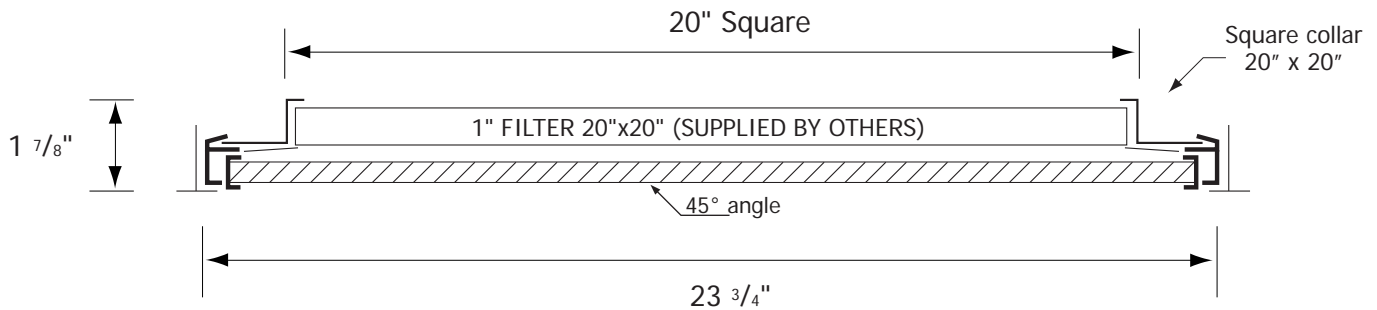
Architect: _____

Engineer: _____

Contractor: _____

Aluminum Egg Crate Filter Return with 20" x 20" Filter Frame Hinged face - Steel Back 45° Angled Eggcrate

- Material:** Steel filter frame will accept 20"x20" standard 1" filter. Aluminum egg crate grid 1/2"x1/2"x1/2" in hinged extruded aluminum U frame, swings in and out of fixed frame for access to 20" x 20" filter, by others.
- Grid core:** 45° Angled Eggcrate Core
- Finish:** Powder paint coating - white.
- Mounting:** T-bar Lay-in ceiling.


ERTF5
SUBMITTAL SHEET


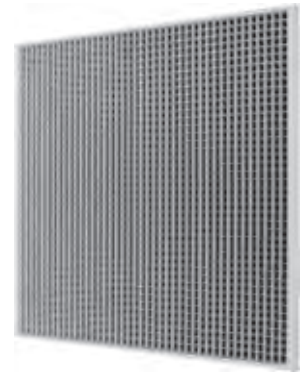
Finish	
<input type="checkbox"/> /W White <small>(default)</small>	<input type="checkbox"/> Custom _____ <small>(please specify)</small>



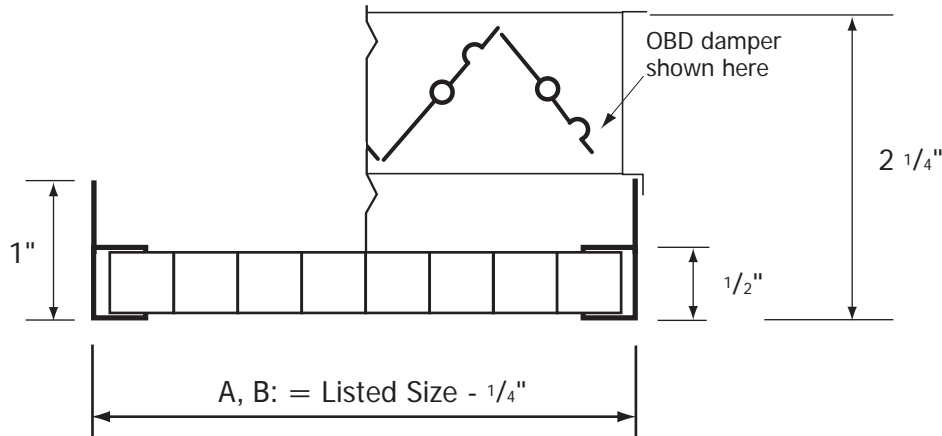
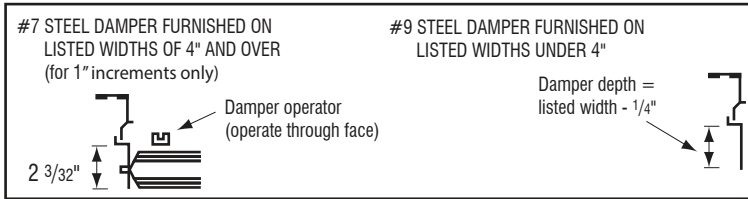
Schedule type: _____
Job: _____
Architect: _____
Engineer: _____
Contractor: _____

Eggcrate Return Grille with "U" Frame

- Material:** All aluminium construction.
- Mounting:** T-bar lay-in.
No mounting holes.
- Grid core:** Aluminum 1/2" x 1/2" x 1/2".



ERU / ERU7
(ERU 2424 shown here)



✓	Model #	Face Dim. A x B	Neck
	ERU 1212	11 3/4" x 11 3/4"	12" x 12"
	ERU 2412	23 3/4" x 11 3/4"	24" x 12"
	ERU 2424	23 3/4" x 23 3/4"	24" x 24"
	ERU 4812	47 3/4" x 11 3/4"	48" x 12"
	ERU 4824	47 3/4" x 23 3/4"	48" x 24"
	ERU7 1212	11 3/4" x 11 3/4"	12" x 12"
	ERU7 2412	23 3/4" x 11 3/4"	24" x 12"
	ERU7 2424	23 3/4" x 23 3/4"	24" x 24"
	ERU7 4812	47 3/4" x 11 3/4"	48" x 12"
	ERU7 4824	47 3/4" x 23 3/4"	48" x 24"

Custom dimensions available upon request.

Finish	
<input type="checkbox"/> /W White <small>(default)</small>	<input type="checkbox"/> Custom _____ <small>(please specify)</small>



Schedule type: _____

Job: _____

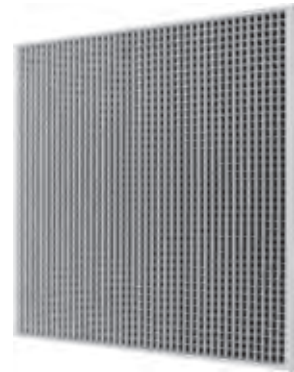
Architect: _____

Engineer: _____

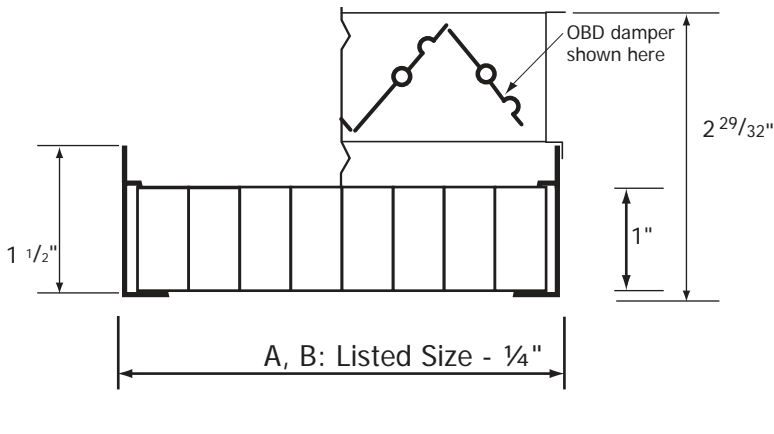
Contractor: _____

Eggcrate Return Grille with "U" Frame, 1" thick core

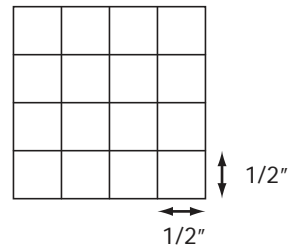
- Material:** All aluminium construction.
- Mounting:** T-bar lay-in.
No mounting holes.
- Grid core:** Aluminum 1/2" x 1/2" x 1".



ERU1 / ERU17
(ERU 2424 shown here)

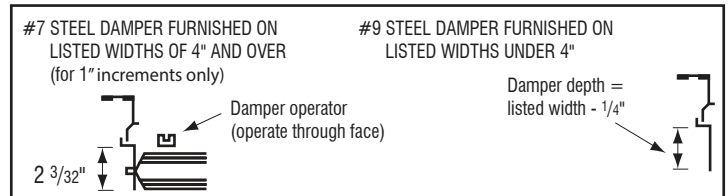


Eggcrate core



✓	Model #	Face Dim. A x B	Neck
	ERU1 1212	11 3/4" x 11 3/4"	12" x 12"
	ERU1 2412	23 3/4" x 11 3/4"	24" x 12"
	ERU1 2424	23 3/4" x 23 3/4"	24" x 24"
	ERU1 4812	47 3/4" x 11 3/4"	48" x 12"
	ERU1 4824	47 3/4" x 23 3/4"	48" x 24"
	ERU17 1212	11 3/4" x 11 3/4"	12" x 12"
	ERU17 2412	23 3/4" x 11 3/4"	24" x 12"
	ERU17 2424	23 3/4" x 23 3/4"	24" x 24"
	ERU17 4812	47 3/4" x 11 3/4"	48" x 12"
	ERU17 4824	47 3/4" x 23 3/4"	48" x 24"

Custom dimensions available upon request.



Panel Option for T-bar lay-in Ceiling		Steel (WxH)	Aluminum (WxH)	
	<input type="checkbox"/>	-X11 (12"x12")	<input type="checkbox"/>	-Y11 (12"x12")
	<input type="checkbox"/>	-X21 (24"x12")	<input type="checkbox"/>	-Y21 (24"x12")
	<input type="checkbox"/>	-X22 (24"x24")	<input type="checkbox"/>	-Y22 (24"x24")
	<input type="checkbox"/>	-X41 (48"x12")	<input type="checkbox"/>	-Y41 (48"x12")
	<input type="checkbox"/>	-X42 (48"x24")	<input type="checkbox"/>	-Y42 (48"x24")

No fastening options available

Finish	
<input type="checkbox"/> /W White (default)	<input type="checkbox"/> Custom (please specify)



Schedule type: _____

Job: _____

Architect: _____

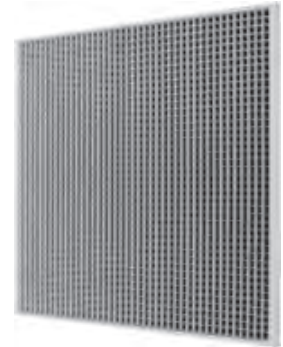
Engineer: _____

Contractor: _____

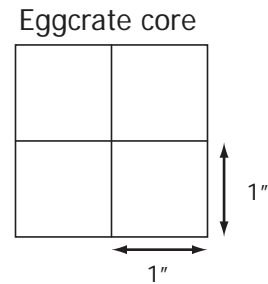
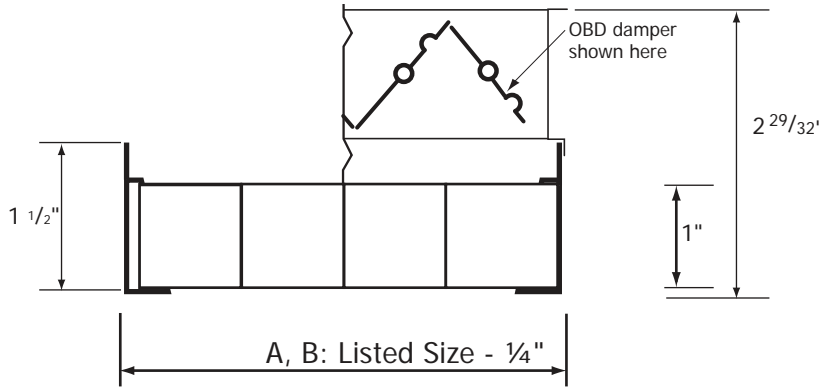
SUBMITTAL SHEET

Eggcrate Return Grille with "U" Frame, 1" square cell size

- Material:** All aluminium construction.
- Mounting:** T-bar lay-in.
No mounting holes.
- Grid core:** Aluminum 1" x 1" x 1".



ERU3 / ERU37
(ERU3 2424 shown here)



✓	Model #	Face Dim. A x B	Neck
	ERU3 1212	11 ³ / ₄ " x 11 ³ / ₄ "	12" x 12"
	ERU3 2412	23 ³ / ₄ " x 11 ³ / ₄ "	24" x 12"
	ERU3 2424	23 ³ / ₄ " x 23 ³ / ₄ "	24" x 24"
	ERU3 4812	47 ³ / ₄ " x 11 ³ / ₄ "	48" x 12"
	ERU3 4824	47 ³ / ₄ " x 23 ³ / ₄ "	48" x 24"
	ERU37 1212	11 ³ / ₄ " x 11 ³ / ₄ "	12" x 12"
	ERU37 2412	23 ³ / ₄ " x 11 ³ / ₄ "	24" x 12"
	ERU37 2424	23 ³ / ₄ " x 23 ³ / ₄ "	24" x 24"
	ERU37 4812	47 ³ / ₄ " x 11 ³ / ₄ "	48" x 12"
	ERU37 4824	47 ³ / ₄ " x 23 ³ / ₄ "	48" x 24"

Custom dimensions available upon request.

Panel Option for T-bar lay-in Ceiling		Steel (WxH)	Aluminum (WxH)	
<p>No fastening options available</p>	<input type="checkbox"/>	-X1212	<input type="checkbox"/>	-Y1212
	<input type="checkbox"/>	-X2412	<input type="checkbox"/>	-Y2412
	<input type="checkbox"/>	-X2424	<input type="checkbox"/>	-Y2424
	<input type="checkbox"/>	-X4812	<input type="checkbox"/>	-Y4812
	<input type="checkbox"/>	-X4824	<input type="checkbox"/>	-Y4824

#7 STEEL DAMPER FURNISHED ON LISTED WIDTHS OF 4" AND OVER (for 1" increments only)	#9 STEEL DAMPER FURNISHED ON LISTED WIDTHS UNDER 4"
<p>2 3/32"</p> <p>Damper operator (operate through face)</p>	<p>Damper depth = listed width - 1/4"</p>

Finish	
<input type="checkbox"/> /W White (default)	<input type="checkbox"/> Custom (please specify) _____

Schedule type: _____

Job: _____

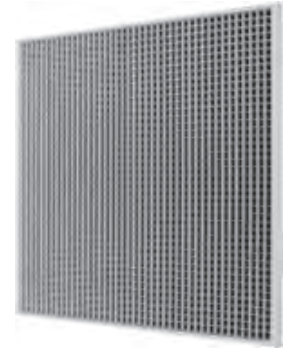
Architect: _____

Engineer: _____

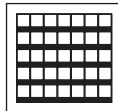
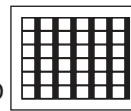
Contractor: _____

Eggcrate Return Grille with "U" Frame 45° Angled Eggcrate

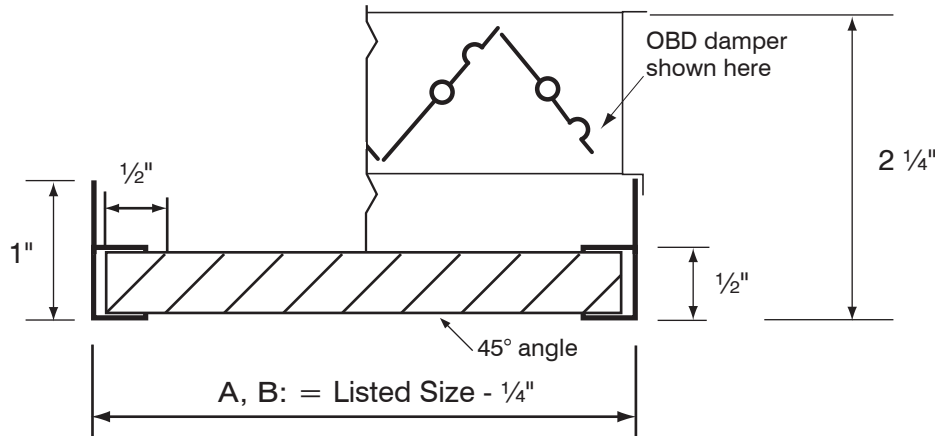
Material: All aluminium construction.
Mounting: T-bar lay-in.
 No mounting holes.
Grid core: Aluminum 1/2" x 1/2" x 1/2".
 45° Angled Eggcrate Core



SUBMITTAL SHEET

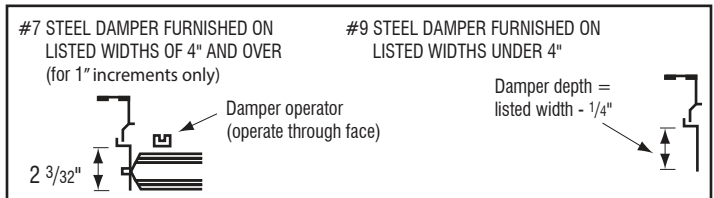
Horizontal Air Flow (Standard)
 ERU5
 ERU57 with OBD

Vertical Face Bars
 ERU5-V
 ERU57-V with OBD


ERU5 / ERU57
 (ERU5 2424 shown here)



✓	Model #	Face Dim. A x B	Neck
	ERU5 1212	11 3/4" x 11 3/4"	12" x 12"
	ERU5 2412	23 3/4" x 11 3/4"	24" x 12"
	ERU5 2424	23 3/4" x 23 3/4"	24" x 24"
	ERU5 4812	47 3/4" x 11 3/4"	48" x 12"
	ERU5 4824	47 3/4" x 23 3/4"	48" x 24"
	ERU57 1212	11 3/4" x 11 3/4"	12" x 12"
	ERU57 2412	23 3/4" x 11 3/4"	24" x 12"
	ERU57 2424	23 3/4" x 23 3/4"	24" x 24"
	ERU57 4812	47 3/4" x 11 3/4"	48" x 12"
	ERU57 4824	47 3/4" x 23 3/4"	48" x 24"

Custom dimensions available upon request.



Finish	
<input type="checkbox"/> /W White (default)	<input type="checkbox"/> /C Custom (please specify)

Schedule type: _____

Job: _____

Architect: _____

Engineer: _____

Contractor: _____

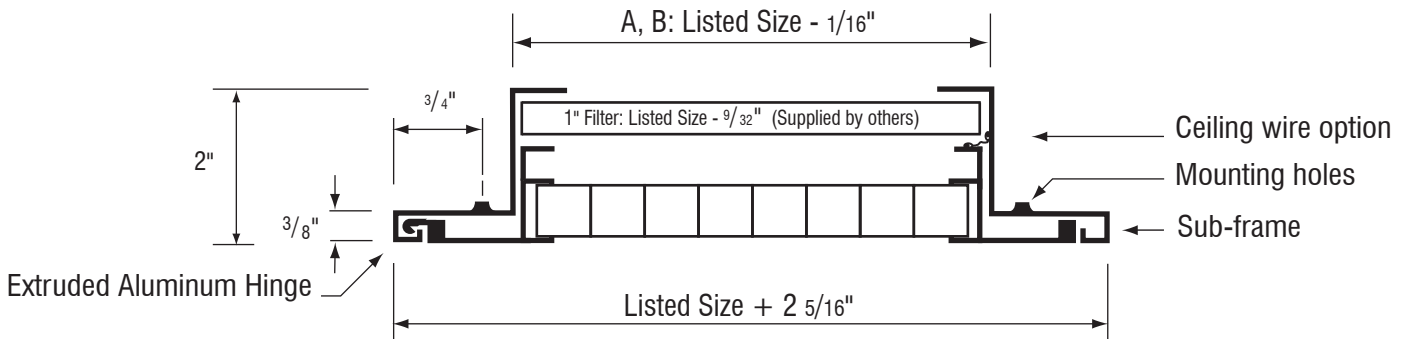
SUBMITTAL SHEET

Eggcrate Filter Return Grille for Surface Mount

- Material:** All aluminium construction
Hinged extrusion on one end,
easy pry-open or push-close clip
- Mounting:** Surface mounting
Countersunk mounting holes on sub-frame.
- Grid core:** Aluminum 1/2" x 1/2" x 1/2"
- Filter:** 1" filter: Listed size - 9/32" (supplied by others)



FERE



Options		
<input type="checkbox"/> -CW Security Ceiling Wire	<input type="checkbox"/> -DS Debris (Bird) Screen	<input type="checkbox"/> -IS Insect Screen

Size limits	Width A		Height B	
	in	mm	in	mm
Minimum	4	102	4	102
Maximum	48	1219	48	1219

Panel Option for T-bar lay-in Ceiling

W	Steel (WxH)		Aluminum (WxH)	
H	<input type="checkbox"/> -X1212	<input type="checkbox"/> -Y1212	<input type="checkbox"/> -X2412	<input type="checkbox"/> -Y2412
	<input type="checkbox"/> -X2424	<input type="checkbox"/> -Y2424	<input type="checkbox"/> -X4824	<input type="checkbox"/> -Y4824
	<input type="checkbox"/> -X824	<input type="checkbox"/> -Y824	<input type="checkbox"/> -X2020	<input type="checkbox"/> -Y2020
	No mounting options available			

Mounting Options			
<input type="checkbox"/> -C (Default) Concealed Clip Easy pry-open push-close clip	<input type="checkbox"/> -S Screen Tabs	<input type="checkbox"/> -TS Thumb Screw	<input type="checkbox"/> -CS Countersunk Screw

Finish		
<input type="checkbox"/> /W White (Default)	<input type="checkbox"/> /M Mill	<input type="checkbox"/> /C Custom (Please Specify)



Schedule type: _____

Job: _____

Architect: _____

Engineer: _____

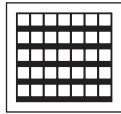
Contractor: _____

Egg Crate Filter Return Grille for Surface Mount 45° Angled Egg Crate

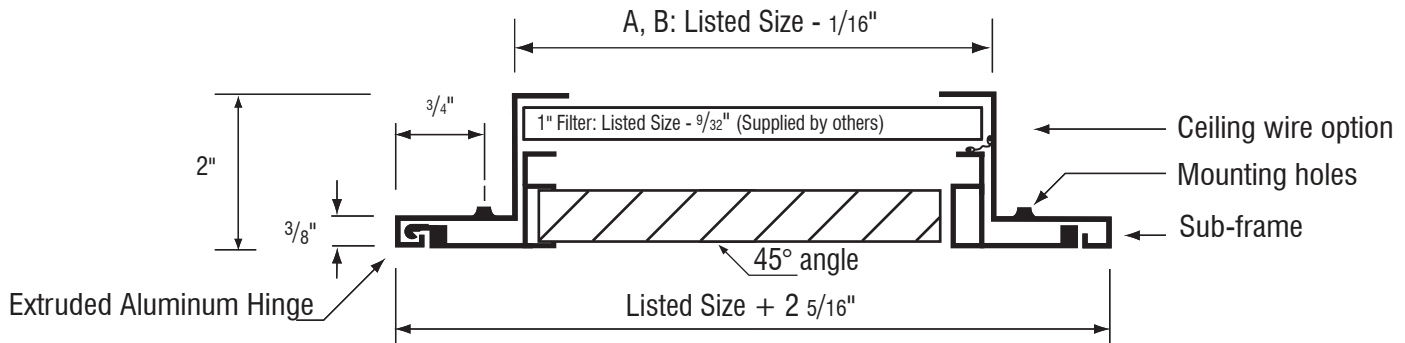
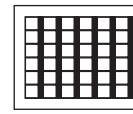
- Material:** All aluminium construction
Hinged extrusion on one end,
easy pry-open or push-close clip
- Mounting:** Surface mounting
Countersunk mounting holes on sub-frame.
- Grid core:** Aluminum 1/2" x 1/2" x 1/2" - 45° Angled Eggcrate Core
- Filter:** 1" filter: Listed size - 9/32" (supplied by others)


FERÉ5

Horizontal Air Flow (Standard)

 FERÉ5


Vertical Air Flow

 FERÉ5-V


Options

<input type="checkbox"/> -CW Security Ceiling Wire	<input type="checkbox"/> -DS Debris (Bird) Screen	<input type="checkbox"/> -IS Insect Screen
--	---	--

Size limits	Width A		Height B	
	in	mm	in	mm
Minimum	4	102	4	102
Maximum	48	1219	48	1219

Panel Option for T-bar lay-in Ceiling

<p>No mounting options available</p>	Steel (WxH)		Aluminum (WxH)	
	<input type="checkbox"/> -X1212	<input type="checkbox"/> -Y1212	<input type="checkbox"/> -X2412	<input type="checkbox"/> -Y2412
	<input type="checkbox"/> -X2424	<input type="checkbox"/> -Y2424	<input type="checkbox"/> -X4824	<input type="checkbox"/> -Y4824
	<input type="checkbox"/> -X824	<input type="checkbox"/> -Y824	<input type="checkbox"/> -X2020	<input type="checkbox"/> -Y2020

Mounting Options

<input type="checkbox"/> -C (Default) Concealed Clip Easy pry-open push-close clip	<input type="checkbox"/> -S Screen Tabs	<input type="checkbox"/> -TS Thumb Screw	<input type="checkbox"/> -CS Countersunk Screw
---	---	--	--

Finish

<input type="checkbox"/> /W White (Default)	<input type="checkbox"/> /M Mill	<input type="checkbox"/> /C Custom (Please Specify)
--	-------------------------------------	---



Schedule type: _____

Job: _____

Architect: _____

Engineer: _____

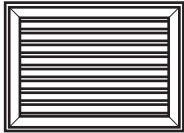
Contractor: _____

Filter Return Grille for Surface Mount

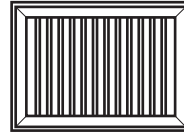
- Material:** Aluminum frame and fins
Hinged extrusion on one end, easy pry-open or push-close clip
- Mounting:** Surface mounting
Countersunk mounting holes on sub-frame.
- Grille core:** Fin spacing: 2/3"
- Filter:** 1" filter: Listed size - 9/32" (supplied by others)



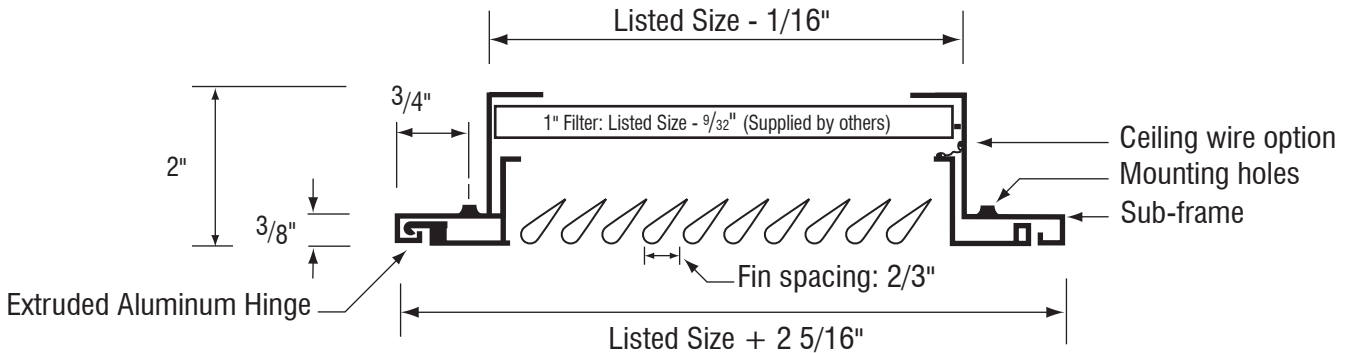
FGAA



FGAA



FGAA-V



Filter Options			Fin
<input type="checkbox"/> -F0 No Filter <small>1"</small> N/A with -C	<input type="checkbox"/> -F2 2" Filter <small>3"</small>	<input type="checkbox"/> -F4 4" Filter <small>5"</small>	<input type="checkbox"/> -FB 0° deflection <small>2"</small>

Options		
<input type="checkbox"/> -CW Security Ceiling Wire	<input type="checkbox"/> -DS Debris (Bird) Screen	<input type="checkbox"/> -IS Insect Screen

Panel Option for T-bar lay-in Ceiling		
	Steel (WxH)	Aluminum (WxH)
<p>No mounting options available</p>	<input type="checkbox"/> -X1212	<input type="checkbox"/> -Y1212
	<input type="checkbox"/> -X2412	<input type="checkbox"/> -Y2412
	<input type="checkbox"/> -X2424	<input type="checkbox"/> -Y2424
	<input type="checkbox"/> -X4824	<input type="checkbox"/> -Y4824
	<input type="checkbox"/> -X2020	<input type="checkbox"/> -Y2020

Latching Options			
<input type="checkbox"/> -C (Default) Concealed Clip <small>Easy pry-open push-close clip</small>	<input type="checkbox"/> -S Screen Tabs	<input type="checkbox"/> -TS Thumb Screw	<input type="checkbox"/> -CS Countersunk Screw

Finish		
<input type="checkbox"/> /W White (Default)	<input type="checkbox"/> /M Mill	<input type="checkbox"/> Custom (Please Specify)



Schedule type: _____

Job: _____

Architect: _____

Engineer: _____

Contractor: _____

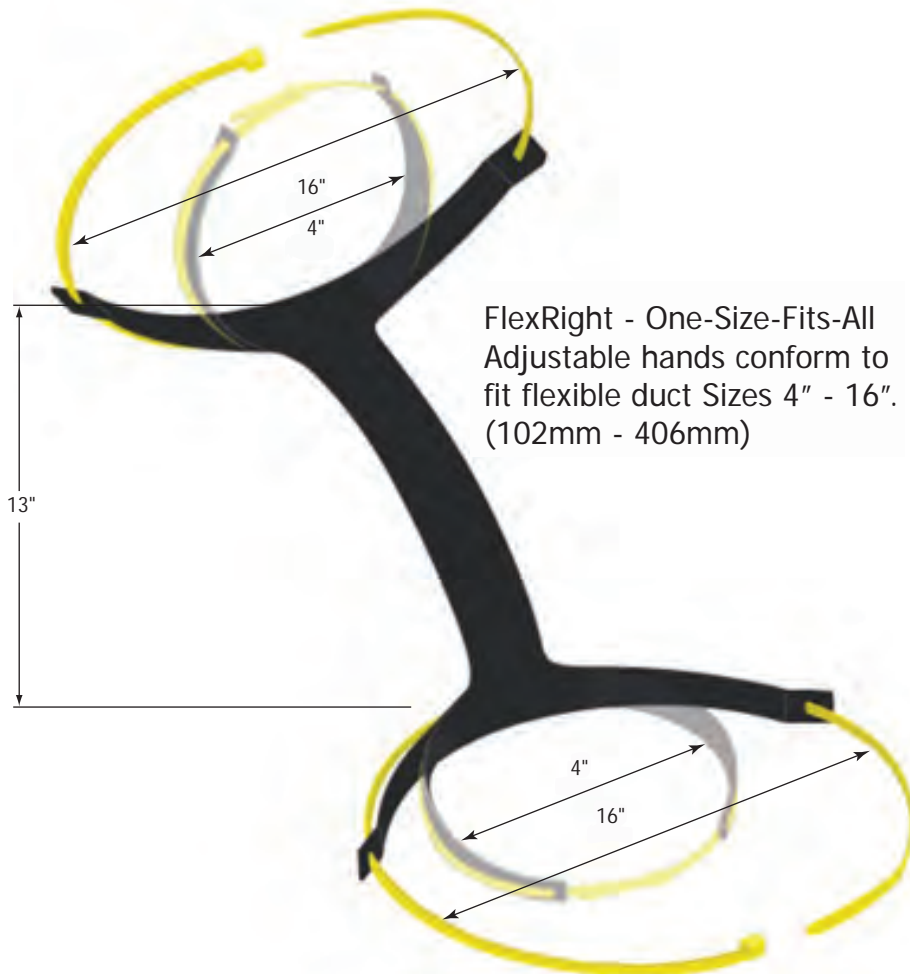
FlexRight

Radius forming brace for flexible ducts.

Material: 100% recycled, UL listed materials.

Mounting: Install on diffuser collar and round flex duct.

Fits collars and flex ducts 4" - 16".



Schedule type: _____

Job: _____

Architect: _____

Engineer: _____

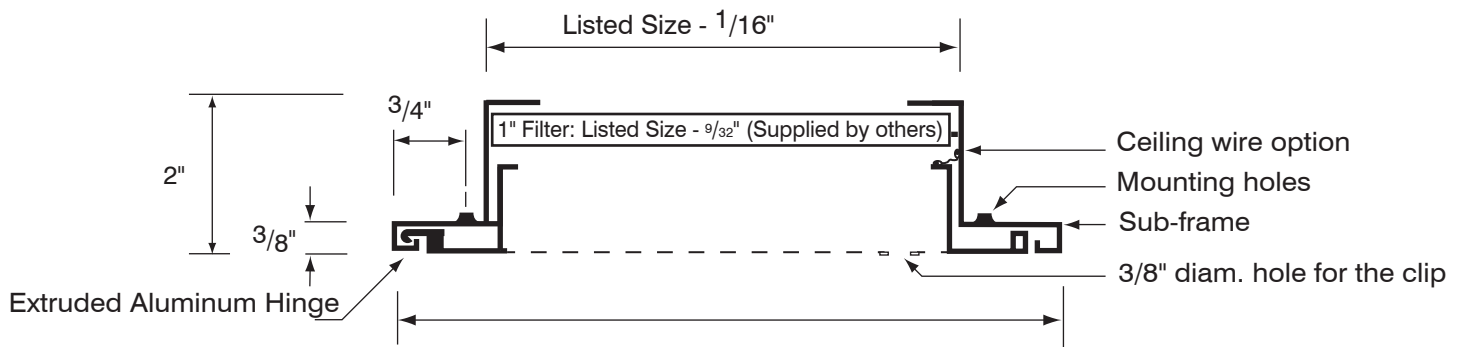
Contractor: _____

Perforated Filter Return Grille for Surface Mount

- Material:** Aluminum frame
Steel perforated face with 3/16" diam. holes
Hinged extrusion on one end, easy pry-open or push-close clip
- Mounting:** Surface mounting
Countersunk mounting holes on sub-frame.
- Filter:** 1" filter: Listed size - 9/32" (supplied by others)



FPFE



Filter	
-F2 2" Filter	-F4 4" Filter

Options		
-CW Security Ceiling Wire	-DS Debris (Bird) Screen	-IS Insect Screen

Panel Option for T-bar lay-in Ceiling		
	Steel (WxH)	Aluminum (WxH)
	<input type="checkbox"/> -X1212	<input type="checkbox"/> -Y1212
	<input type="checkbox"/> -X2412	<input type="checkbox"/> -Y2412
	<input type="checkbox"/> -X2424	<input type="checkbox"/> -Y2424
	<input type="checkbox"/> -X4824	<input type="checkbox"/> -Y4824
	<input type="checkbox"/> -X2020	<input type="checkbox"/> -Y2020

No mounting options available

Mounting Options			
-C (Default) Concealed Clip Easy pry-open push-close clip	-S Screen Tabs	-TS Thumb Screw	-CS Countersunk Screw

Finish		
<input type="checkbox"/> /W White (Default)	<input type="checkbox"/> /M Mill	<input type="checkbox"/> /C Custom (Please Specify)



Schedule type: _____

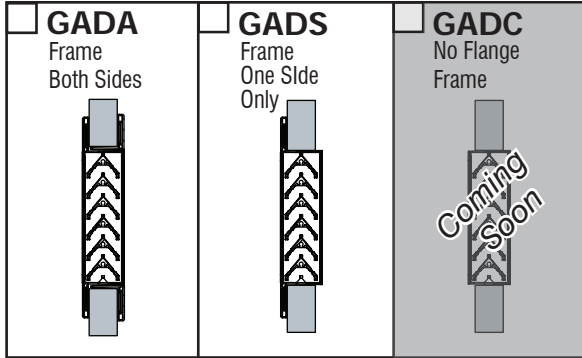
Job: _____

Architect: _____

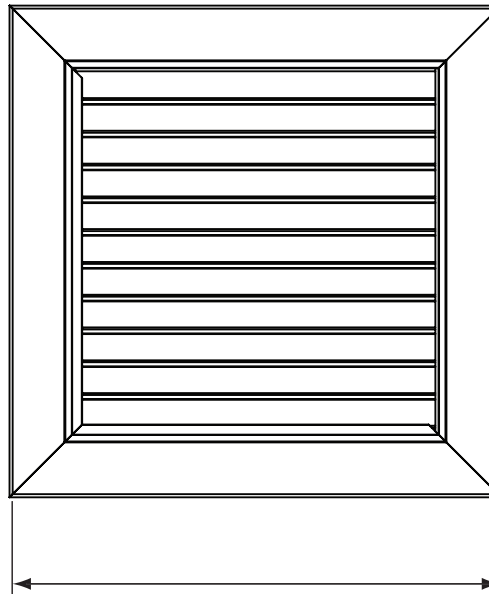
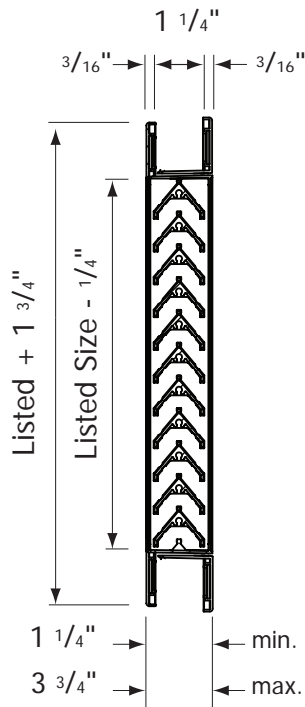
Engineer: _____

Contractor: _____

Sight Proof Heavy Duty Aluminum Transfer Air Door Grille



GADA



Listed Size + 1 3/4"



Finish		
<input type="checkbox"/> /W White <small>(default)</small>	<input type="checkbox"/> /M Mill	<input type="checkbox"/> Custom <small>(please specify)</small>

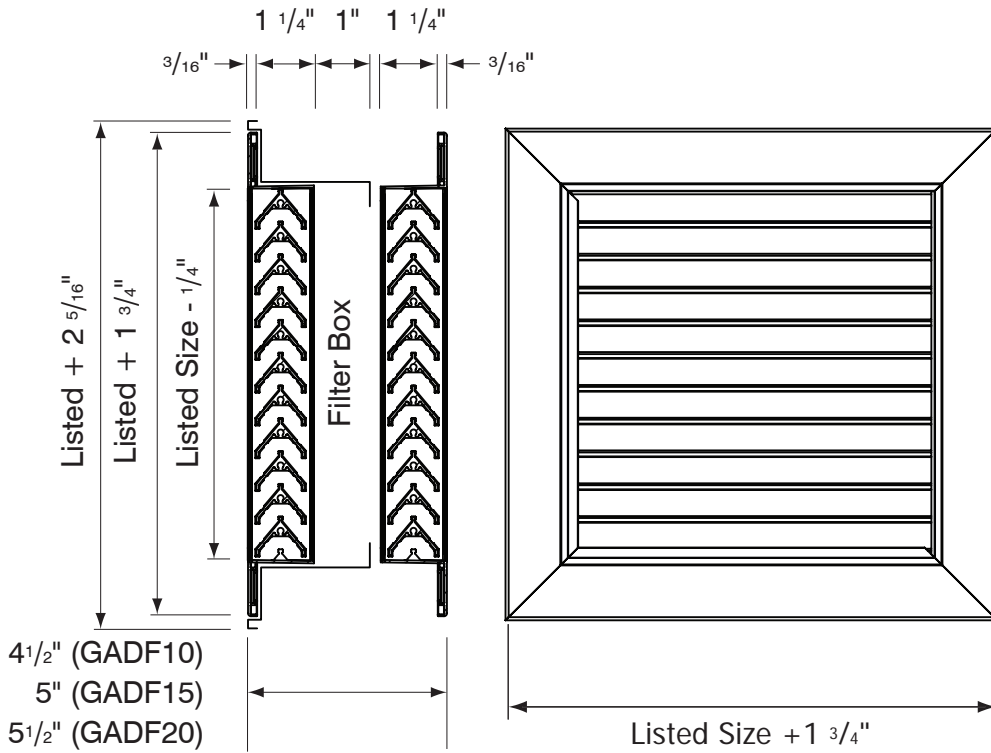
Schedule type: _____
Job: _____
Architect: _____
Engineer: _____
Contractor: _____

Filter Model GADF

- GADF10 1" filter
- GADF15 1.5" filter
- GADF20 2" filter



GADF
(Filter Door Grille)



Finish		
<input type="checkbox"/> /W White <small>(default)</small>	<input type="checkbox"/> /M Mill	<input type="checkbox"/> Custom _____ <small>(please specify)</small>

Schedule type: _____

Job: _____

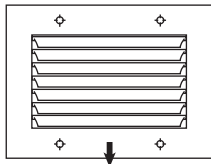
Architect: _____

Engineer: _____

Contractor: _____

1 Way Adjustable Curved Blade Supply Grille Recessed Blades

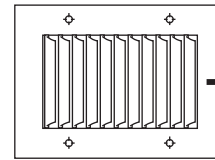
- Material:** Extruded aluminum with mechanically fastened corners.
- Mounting:** Drywall or any surface mounting. Countersunk mounting holes on frame.
- Air Pattern:** 90° Diffusion. Adjustable blades 2/3" spacing.


GCB10


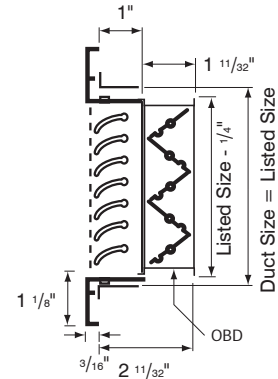
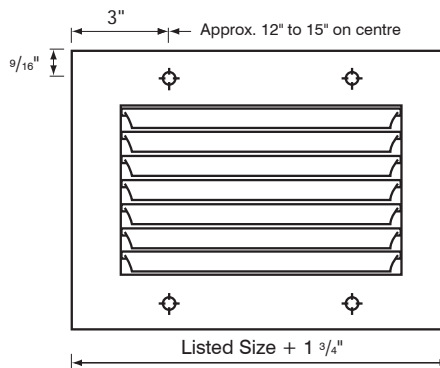
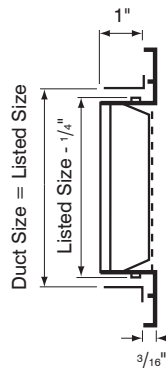
(Default)

Standard discharge pattern (Vertical)

- GCB10-WV**
- GCB17-WV With OBD**


Alternate discharge pattern (Horizontal)

- GCB10-WH**
- GCB17-WH With OBD**

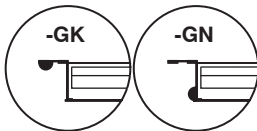


Blade Deflection Options

- Adjustable Blades (Default) -AB**
- Fixed Blades -FB**

Options

- Supplied w/sub frame -SF**
- Debris (Bird) Screen -DS**
- Insect Screen -IS**
- Flange Gasket -GK**
- Neck Gasket -GN**
- One Piece -U**



Finish

<input type="checkbox"/> /W White (default)	<input type="checkbox"/> /B Brushed Aluminium	<input type="checkbox"/> /M Mill Finish	<input type="checkbox"/> /L Brushed and Lacquered	<input type="checkbox"/> Custom (Please Specify)
--	--	--	--	--

Panel Option for T-bar lay-in Ceiling

	Steel (WxH)	Aluminum (WxH)
<p>No fastening options available</p>	<input type="checkbox"/> -X1212	<input type="checkbox"/> -Y1212
	<input type="checkbox"/> -X1224	<input type="checkbox"/> -Y1224
	<input type="checkbox"/> -X2412	<input type="checkbox"/> -Y2412
	<input type="checkbox"/> -X2424	<input type="checkbox"/> -Y2424
	<input type="checkbox"/> -X2448	<input type="checkbox"/> -Y2448
	<input type="checkbox"/> -X4824	<input type="checkbox"/> -Y4824
	<input type="checkbox"/> -X2020	<input type="checkbox"/> -Y2020

Fastening Method

<input type="checkbox"/> -1 No Fastening	<input type="checkbox"/> -2 Spring clip	<input type="checkbox"/> -3 Screw holes (Default)

Schedule type: _____

Job: _____

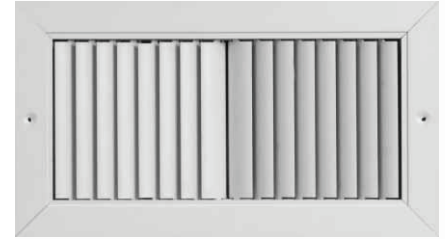
Architect: _____

Engineer: _____

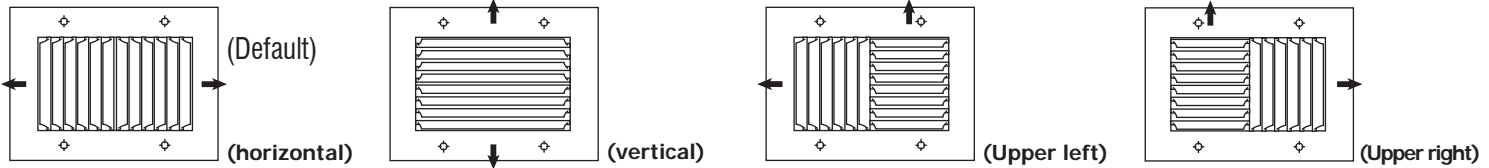
Contractor: _____

2 Way Adjustable Curved Blade Supply Grille Recessed Blades

- Material:** Extruded aluminum with mechanically fastened corners.
- Mounting:** Drywall or any surface mounting. Countersunk mounting holes on frame.
- Air Pattern:** 90° or 180° Diffusion. Adjustable blades 2/3" spacing.



GCB20



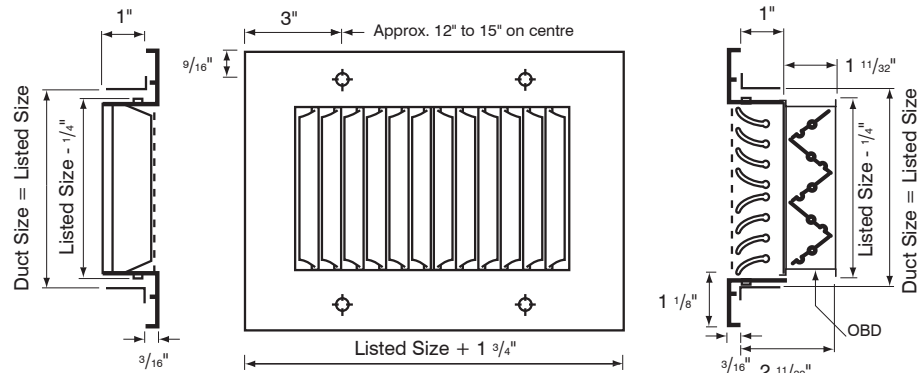
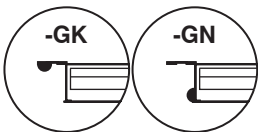
- | | | | |
|---|--|--|--|
| <input type="checkbox"/> Standard discharge pattern | <input type="checkbox"/> Alternate discharge pattern | <input type="checkbox"/> Alternate discharge pattern | <input type="checkbox"/> Alternate discharge pattern |
| <input type="checkbox"/> GCB20-WOH | <input type="checkbox"/> GCB20-WOV | <input type="checkbox"/> GCB20-WUL | <input type="checkbox"/> GCB20-WUR |
| <input type="checkbox"/> GCB27-WOH With OBD | <input type="checkbox"/> GCB27-WOV With OBD | <input type="checkbox"/> GCB27-WUL With OBD | <input type="checkbox"/> GCB27-WUR With OBD |

Blade Deflection Options

- Adjustable Blades (default) -AB
- Fixed Blades -FB

Options

- Supplied w/sub frame -SF
- Debris (Bird) Screen -DS
- Insect Screen -IS
- Flange Gasket -GK
- Neck Gasket -GN
- One Piece -U



Finish

<input type="checkbox"/> /W White (default)	<input type="checkbox"/> /B Brushed Aluminium	<input type="checkbox"/> /M Mill Finish	<input type="checkbox"/> /L Brushed and Lacquered	<input type="checkbox"/> Custom (Please Specify)
--	--	--	--	---

Panel Option for T-bar lay-in Ceiling

	Steel (WxH)	Aluminum (WxH)
<input type="checkbox"/>	-X1212	-Y1212
<input type="checkbox"/>	-X1224	-Y1224
<input type="checkbox"/>	-X2412	-Y2412
<input type="checkbox"/>	-X2424	-Y2424
<input type="checkbox"/>	-X2448	-Y2448
<input type="checkbox"/>	-X4824	-Y4824
<input type="checkbox"/>	-X2020	-Y2020

No fastening options available

Fastening Method

<input type="checkbox"/> -1 No Fastening	<input type="checkbox"/> -2 Spring clip	<input type="checkbox"/> -3 Screw holes (Default)
--	---	---

Schedule type: _____

Job: _____

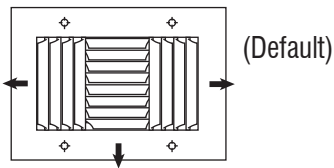
Architect: _____

Engineer: _____

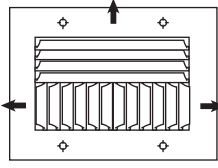
Contractor: _____

3 Way Adjustable Curved Blade Supply Grille Recessed Blades

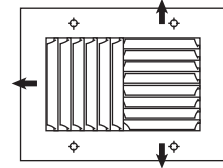
- Material:** Extruded aluminum with mechanically fastened corners.
- Mounting:** Drywall or any surface mounting. Countersunk mounting holes on frame.
- Air Pattern:** 270° Diffusion.
Adjustable blades 2/3" spacing.


GCB30

Standard discharge pattern

- GCB30-WS**
- GCB37-WS** With OBD


Alternate discharge pattern (long)

- GCB30-WL**
- GCB37-WL** With OBD


Alternate discharge pattern

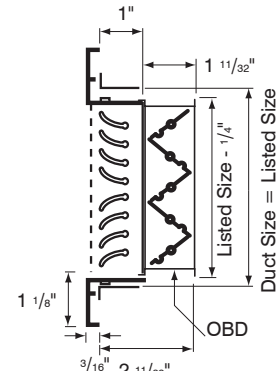
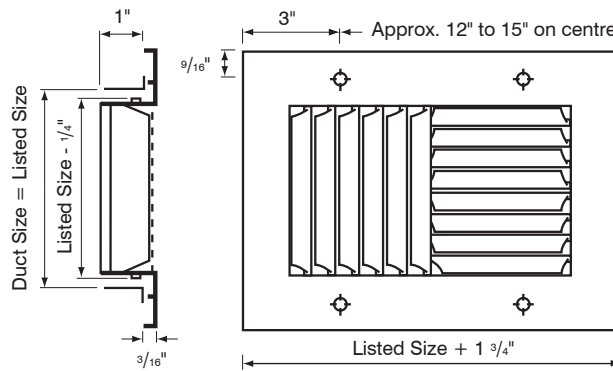
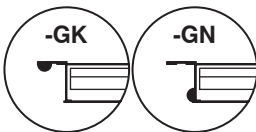
- GCB30-WA**
- GCB37-WA** With OBD

Blade Deflection Options

- Adjustable Blades (default) -AB**
- Fixed Blades -FB**

Options

- Supplied w/sub frame -SF**
- Debris (Bird) Screen -DS**
- Insect Screen -IS**
- Flange Gasket -GK**
- Neck Gasket -GN**
- One Piece -U**



Finish

<input type="checkbox"/> /W White (default)	<input type="checkbox"/> /B Brushed Aluminium	<input type="checkbox"/> /M Mill Finish	<input type="checkbox"/> /L Brushed and Lacquered	<input type="checkbox"/> Custom (Please Specify)
---	---	---	---	--

Panel Option for T-bar lay-in Ceiling

	Steel (WxH)	Aluminum (WxH)
<input type="checkbox"/>	-X1212	-Y1212
<input type="checkbox"/>	-X1224	-Y1224
<input type="checkbox"/>	-X2412	-Y2412
<input type="checkbox"/>	-X2424	-Y2424
<input type="checkbox"/>	-X2448	-Y2448
<input type="checkbox"/>	-X4824	-Y4824
<input type="checkbox"/>	-X2020	-Y2020

No fastening options available

Fastening Method

<input type="checkbox"/> -1 No Fastening	<input type="checkbox"/> -2 Spring clip	<input type="checkbox"/> -3 Screw holes (Default)
---	--	--

Schedule type: _____

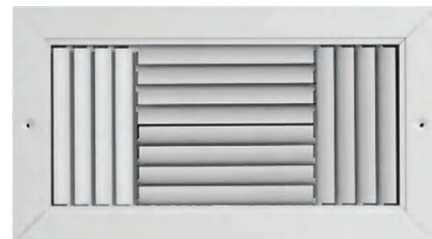
Job: _____

Architect: _____

Engineer: _____

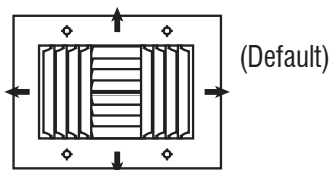
Contractor: _____

4 Way Adjustable Curved Blade Supply Grille Recessed Blades



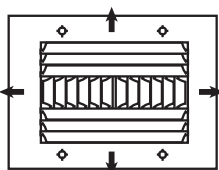
GCB40

- Material:** Extruded aluminum with mechanically fastened corners.
- Mounting:** Drywall or any surface mounting. Countersunk mounting holes on frame.
- Air Pattern:** 360° Diffusion. Adjustable blades 2/3" spacing.



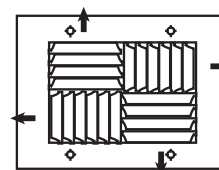
Standard Discharge Pattern

- GCB40-WS**
- GCB47-WS** With OBD



Alternate Discharge Pattern (long)

- GCB40-WL**
- GCB47-WL** With OBD



Alternate Discharge Pattern

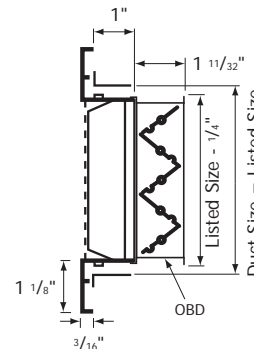
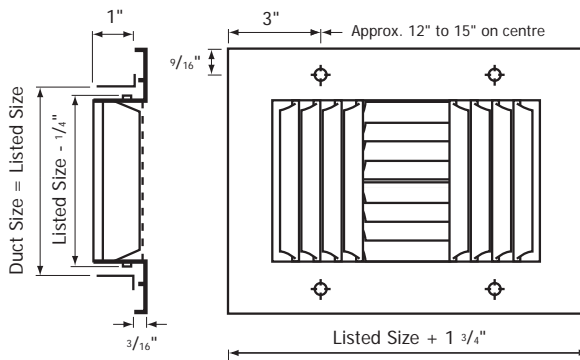
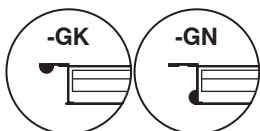
- GCB40-WA**
- GCB47-WA** With OBD

Blade Deflection Options

- Adjustable Blades (default) -AB**
- Fixed Blades -FB**

Options

- Supplied w/sub frame -SF**
- Debris (Bird) Screen -DS**
- Insect Screen -IS**
- Flange Gasket -GK**
- Neck Gasket -GN**
- One Piece -U**



Finish

<input type="checkbox"/> /W White (default)	<input type="checkbox"/> /B Brushed Aluminium	<input type="checkbox"/> /M Mill Finish	<input type="checkbox"/> /L Brushed and Lacquered	<input type="checkbox"/> Custom (Please Specify)
---	---	---	---	--

Panel Option for T-bar lay-in Ceiling

	Steel (WxH)	Aluminum (WxH)
<input type="checkbox"/>	-X1212	-Y1212
<input type="checkbox"/>	-X1224	-Y1224
<input type="checkbox"/>	-X2412	-Y2412
<input type="checkbox"/>	-X2424	-Y2424
<input type="checkbox"/>	-X2448	-Y2448
<input type="checkbox"/>	-X4824	-Y4824
<input type="checkbox"/>	-X2020	-Y2020

No fastening options available

Fastening Method

<input type="checkbox"/> -1 No Fastening	<input type="checkbox"/> -2 Spring clip	<input type="checkbox"/> -3 Screw holes (Default)
---	--	--

Schedule type: _____

Job: _____

Architect: _____

Engineer: _____

Contractor: _____

Single Deflection Spiral Duct Grille Adjustable Air Pattern

- Material:** Aluminum construction.
Adjustable blades.
- Finish:** Powder paint coating - white.
- Mounting:** Screw holes mounting.
- Spacing:** 2/3" Blade Spacing


GDA10

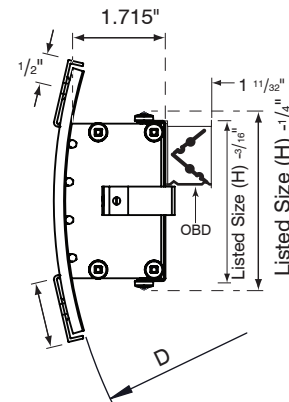
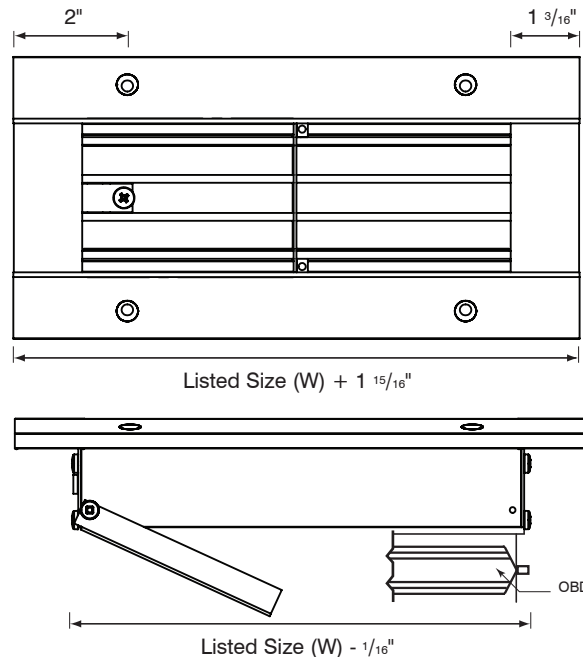
Horizontal Face Blades

- GDA10-H** Aluminum Fins
- GDA17-H** Steel Opposed Blade Damper
- GDA18-H** Aluminum Fins with Air Scoop

Vertical Face Blades

- GDA10-V** Aluminum Fins
- GDA17-V** Steel Opposed Blade Damper
- GDA18-V** Aluminum Fins with Air Scoop

Nice feature: Fins follow the curve on the face of the grille.



Options

-GK (1/2" x 1/2" thick)

Flange Gasket
(included over 20" D)



Duct D	Duct Cut Out Opening					
	H = 3"	H = 4"	H = 6"	H = 8"	H = 10"	H = 12"
6"	3"					
8"	3"	4 1/4"				
10"	3"	4 1/8"	6 1/4"			
12"	3"	4 1/8"	6 1/4"	8 3/4"		
14"	3"	4"	6 1/4"	8 1/4"	11 1/8"	
16"	3"	4"	6 1/8"	8 3/8"	10 3/4"	13 1/4"
18"	3"	4"	6 1/8"	8 1/4"	10 5/8"	13 1/8"
20"	3"	4"	6 1/8"	8 1/4"	10 1/4"	12 7/8"
22"	3"	4"	6 1/8"	8 1/4"	10 3/8"	12 3/4"
24"	3"	4"	6"	8 1/8"	10 1/4"	12 1/4"
34"	3"	4"	6"	8"	10 1/8"	12 1/4"
44"	3"	4"	6"	8"	10"	12 1/8"
Over 64"	3"	4"	6"	8"	10"	12"

Finish		
<input type="checkbox"/> /W White (Default)	<input type="checkbox"/> /M Mill Finish	<input type="checkbox"/> Custom (Please Specify)

Schedule type: _____

Job: _____

Architect: _____

Engineer: _____

Contractor: _____

Double Deflection Spiral Duct Grille Adjustable Air Pattern

- Material:** Aluminum construction.
Adjustable blades.
- Finish:** Powder paint coating - white.
- Mounting:** Screw holes mounting.
- Spacing:** 2/3" Blade Spacing



GDA28

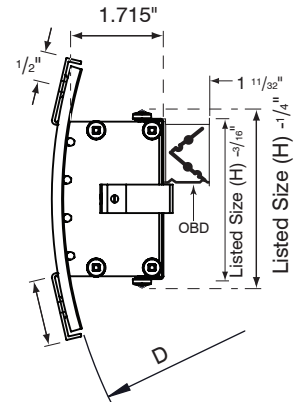
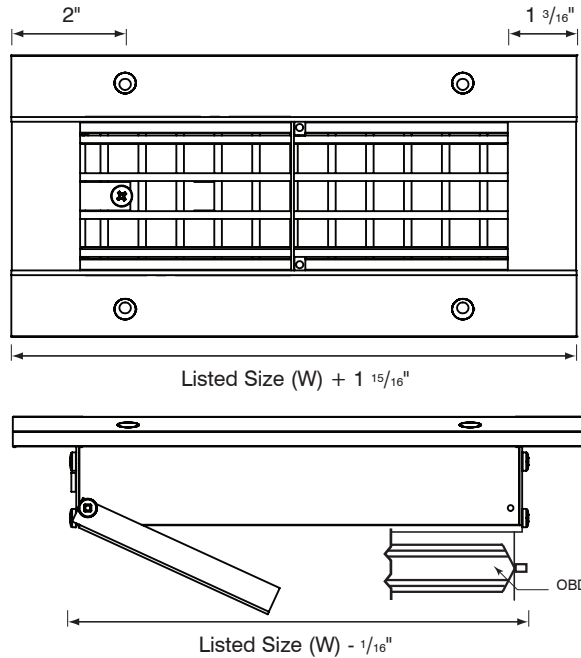
Horizontal Face Blades

- GDA20-H** Aluminum Fins
- GDA27-H** Steel Opposed Blade Damper
- GDA28-H** Aluminum Fins with Air Scoop

Vertical Face Blades

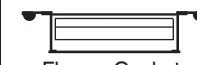
- GDA20-V** Aluminum Fins
- GDA27-V** Steel Opposed Blade Damper
- GDA28-V** Aluminum Fins with Air Scoop

Nice feature: Fins follow the curve on the face of the grille.



Options

-GK (1/2"x 1/2" thick)



Flange Gasket
(included over 20" D)



Duct D	Duct Cut Out Opening					
	H = 3"	H = 4"	H = 6"	H = 8"	H = 10"	H = 12"
6"	3"					
8"	3"	4 1/4"				
10"	3"	4 1/8"	6 1/4"			
12"	3"	4 1/8"	6 1/4"	8 3/4"		
14"	3"	4"	6 1/4"	8 1/4"	11 1/8"	
16"	3"	4"	6 1/8"	8 3/8"	10 3/4"	13 1/4"
18"	3"	4"	6 1/8"	8 1/4"	10 5/8"	13 1/8"
20"	3"	4"	6 1/8"	8 1/4"	10 1/4"	12 7/8"
22"	3"	4"	6 1/8"	8 1/4"	10 3/8"	12 3/4"
24"	3"	4"	6"	8 1/8"	10 1/4"	12 1/4"
34"	3"	4"	6"	8"	10 1/8"	12 1/4"
44"	3"	4"	6"	8"	10"	12 1/8"
Over 64"	3"	4"	6"	8"	10"	12"

Finish

/W White (Default) /M Mill Finish **Custom** (Please Specify)

Schedule type: _____

Job: _____

Architect: _____

Engineer: _____

Contractor: _____

Single Deflection Spiral Duct Grille Adjustable Air Pattern

Material: Aluminum construction.
Extruded aluminum frame.
Coated steel perforated face with 3/16" diam. round holes on 1/4" staggered centers, affords 53% free area.

Finish: Powder paint coating - white.

Mounting: Screw holes mounting.

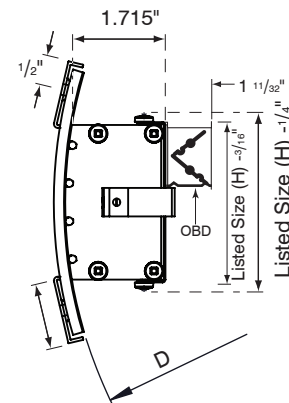
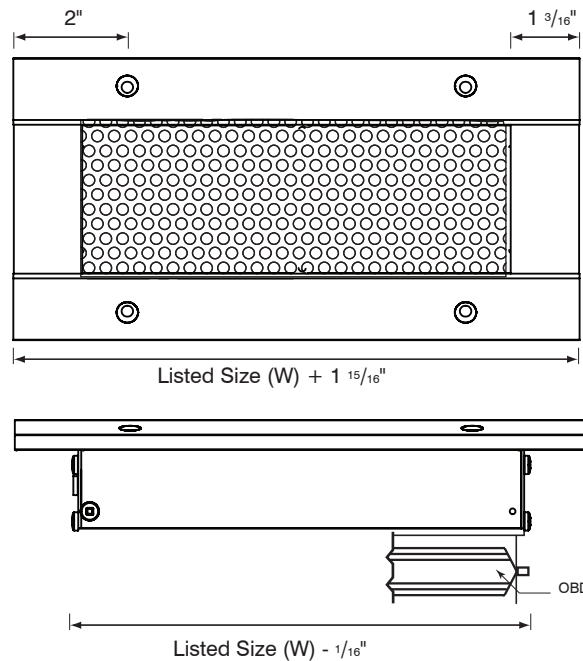
Spacing: 2/3" Blade Spacing.



GDPA

Perforated Face Grille

- GDPA0** Perforated Face
- GDPA7** Steel Opposed Blade Damper



Options	
<input type="checkbox"/> -GK	(1/2" x 1/2" thick)
<p>Flange Gasket (included over 20" D)</p>	



Duct D	Duct Cut Out Opening					
	H = 3"	H = 4"	H = 6"	H = 8"	H = 10"	H = 12"
6"	3"					
8"	3"	4 1/4"				
10"	3"	4 1/8"	6 1/4"			
12"	3"	4 1/8"	6 1/4"	8 3/4"		
14"	3"	4"	6 1/4"	8 1/4"	11 1/8"	
16"	3"	4"	6 1/8"	8 3/8"	10 3/4"	13 1/4"
18"	3"	4"	6 1/8"	8 1/4"	10 5/8"	13 1/8"
20"	3"	4"	6 1/8"	8 1/4"	10 1/4"	12 7/8"
22"	3"	4"	6 1/8"	8 1/4"	10 3/8"	12 3/4"
24"	3"	4"	6"	8 1/8"	10 1/4"	12 1/4"
34"	3"	4"	6"	8"	10 1/8"	12 1/4"
44"	3"	4"	6"	8"	10"	12 1/8"
Over 64"	3"	4"	6"	8"	10"	12"

Finish		
<input type="checkbox"/> /W White (Default)	<input type="checkbox"/> /M Mill Finish	<input type="checkbox"/> Custom (Please Specify)

Schedule type: _____

Job: _____

Architect: _____

Engineer: _____

Contractor: _____

SUBMITTAL SHEET

Single Deflection Spiral Duct Steel Grille Adjustable Air Pattern

- Material:** Steel fins in extruded aluminum frame.
Adjustable blades.
- Finish:** Powder paint coating - white.
- Mounting:** Screw holes mounting.
- Spacing:** 2/3" Blade Spacing



GDS18

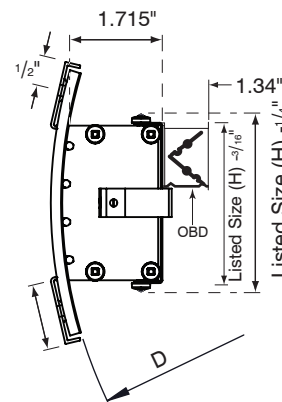
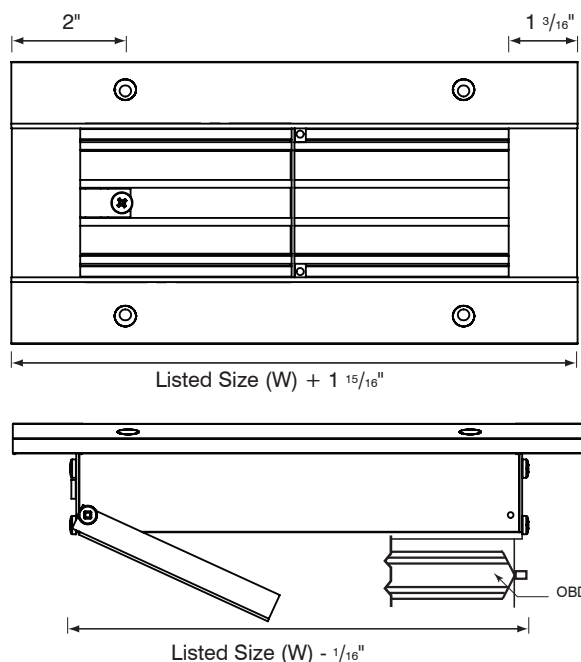
Horizontal Face Blades

- GDS10-H** Steel Fins
- GDS17-H** Steel Opposed Blade Damper
- GDS18-H** Steel Fins with Air Scoop

Vertical Face Blades

- GDS10-V** Steel Fins
- GDS17-V** Steel Opposed Blade Damper
- GDS18-V** Steel Fins with Air Scoop

Nice feature: Fins follow the curve on the face of the grille.



Options

-GK (1/2"x 1/2" thick)

Flange Gasket
(included over 20" D)



Duct D	Duct Cut Out Opening					
	H = 3"	H = 4"	H = 6"	H = 8"	H = 10"	H = 12"
6"	3"					
8"	3"	4 1/4"				
10"	3"	4 1/8"	6 1/4"			
12"	3"	4 1/8"	6 1/4"	8 3/4"		
14"	3"	4"	6 1/4"	8 1/4"	11 1/8"	
16"	3"	4"	6 1/8"	8 3/8"	10 3/4"	13 1/4"
18"	3"	4"	6 1/8"	8 1/4"	10 5/8"	13 1/8"
20"	3"	4"	6 1/8"	8 1/4"	10 1/4"	12 7/8"
22"	3"	4"	6 1/8"	8 1/4"	10 3/8"	12 3/4"
24"	3"	4"	6"	8 1/8"	10 1/4"	12 1/4"
34"	3"	4"	6"	8"	10 1/8"	12 1/4"
44"	3"	4"	6"	8"	10"	12 1/8"
Over 64"	3"	4"	6"	8"	10"	12"

Finish

/W White (Default) /M Mill Finish **Custom** (Please Specify)

Schedule type: _____

Job: _____

Architect: _____

Engineer: _____

Contractor: _____

Double Deflection Spiral Duct Steel Grille Adjustable Air Pattern

- Material:** Steel fins in extruded aluminum frame.
Adjustable blades.
- Finish:** Powder paint coating - white.
- Mounting:** Screw holes mounting.
- Spacing:** 2/3" Blade Spacing


GDS28

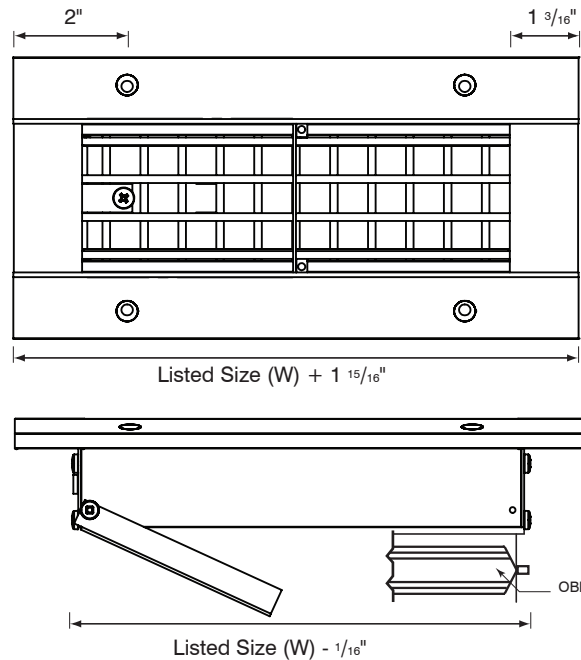
Horizontal Face Blades

- GDS20-H** Steel Fins
- GDS27-H** Steel Opposed Blade Damper
- GDS28-H** Steel Fins with Air Scoop

Vertical Face Blades

- GDS20-V** Steel Fins
- GDS27-V** Steel Opposed Blade Damper
- GDS28-V** Steel Fins with Air Scoop

Nice feature: Fins follow the curve on the face of the grille.



Options

-GK (1/2" x 1/2" thick)

Flange Gasket
(included over 20" D)



Duct D	Duct Cut Out Opening					
	H = 3"	H = 4"	H = 6"	H = 8"	H = 10"	H = 12"
6"	3"					
8"	3"	4 1/4"				
10"	3"	4 1/8"	6 1/4"			
12"	3"	4 1/8"	6 1/4"	8 3/4"		
14"	3"	4"	6 1/4"	8 1/4"	11 1/8"	
16"	3"	4"	6 1/8"	8 3/8"	10 3/4"	13 1/4"
18"	3"	4"	6 1/8"	8 1/4"	10 5/8"	13 1/8"
20"	3"	4"	6 1/8"	8 1/4"	10 1/4"	12 7/8"
22"	3"	4"	6 1/8"	8 1/4"	10 3/8"	12 3/4"
24"	3"	4"	6"	8 1/8"	10 1/4"	12 1/4"
34"	3"	4"	6"	8"	10 1/8"	12 1/4"
44"	3"	4"	6"	8"	10"	12 1/8"
Over 64"	3"	4"	6"	8"	10"	12"

Finish		
<input type="checkbox"/> /W White (Default)	<input type="checkbox"/> /M Mill Finish	<input type="checkbox"/> Custom (Please Specify)

Schedule type: _____

Job: _____

Architect: _____

Engineer: _____

Contractor: _____

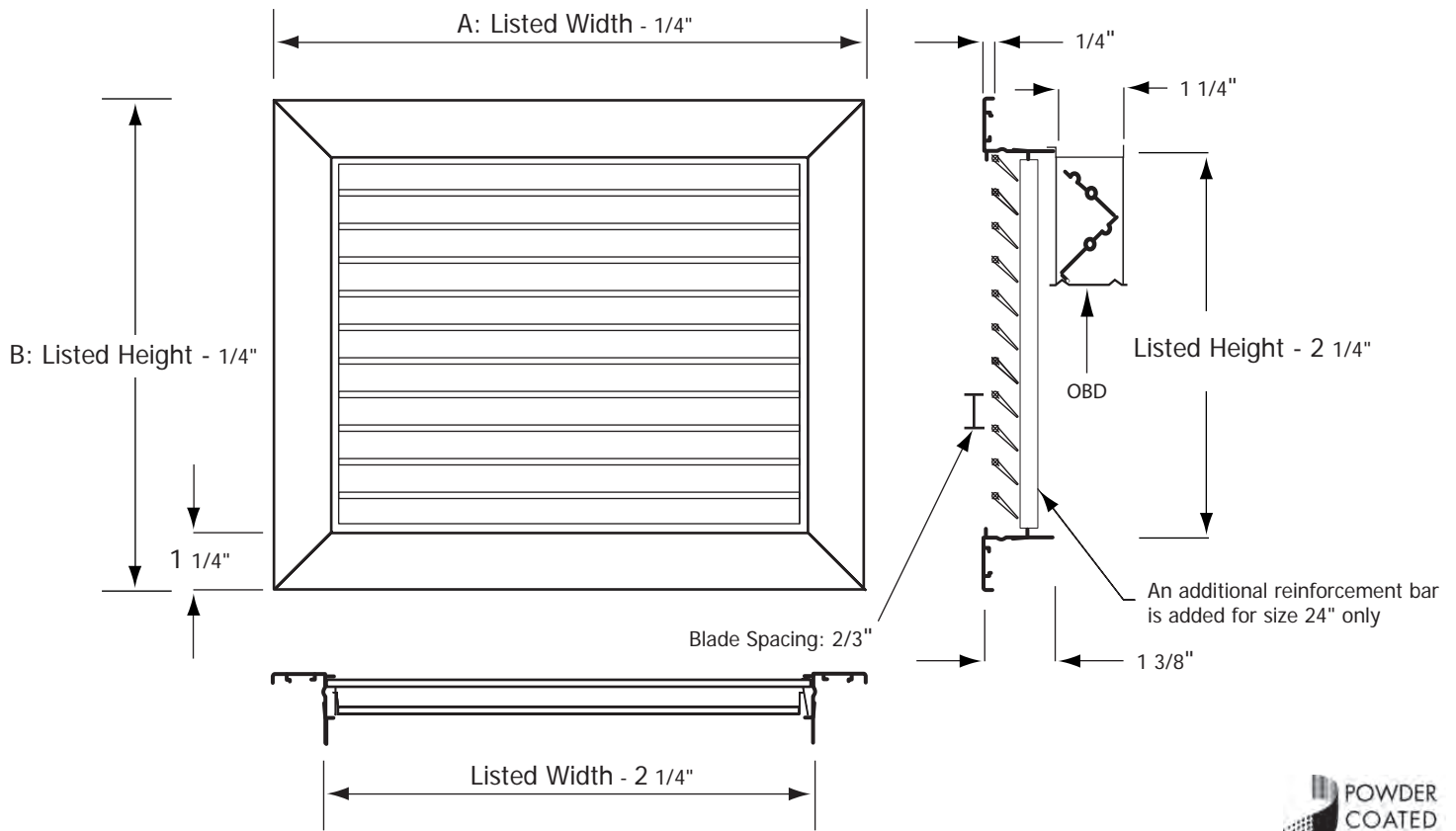
SUBMITTAL SHEET

Ceiling Return Grille/Diffuser

- Material:** Aluminum construction.
Fixed blades.
- Finish:** Powder paint white finish.
- Mounting:** For T-bar lay-in ceiling grids.

GRT without Damper (default)

GRT7 with Damper



Finish		
<input type="checkbox"/> /W White <small>(default)</small>	<input type="checkbox"/> /M Mill Finish	<input type="checkbox"/> Custom <small>(please specify)</small>

✓	Model #	Face Dim. A x B	Neck Size.
	GRT/7 1212	11 3/4" x 11 3/4"	10" x 10"
	GRT/7 2412	23 3/4" x 11 3/4"	22" x 10"
	GRT/7 2424	23 3/4" x 23 3/4"	22" x 22"
	GRT/7 4812	47 3/4" x 11 3/4"	46" x 10"
	GRT/7 4824	47 3/4" x 23 3/4"	46" x 22"

Schedule type: _____

Job: _____

Architect: _____

Engineer: _____

Contractor: _____

Ceiling Return Grille/Diffuser

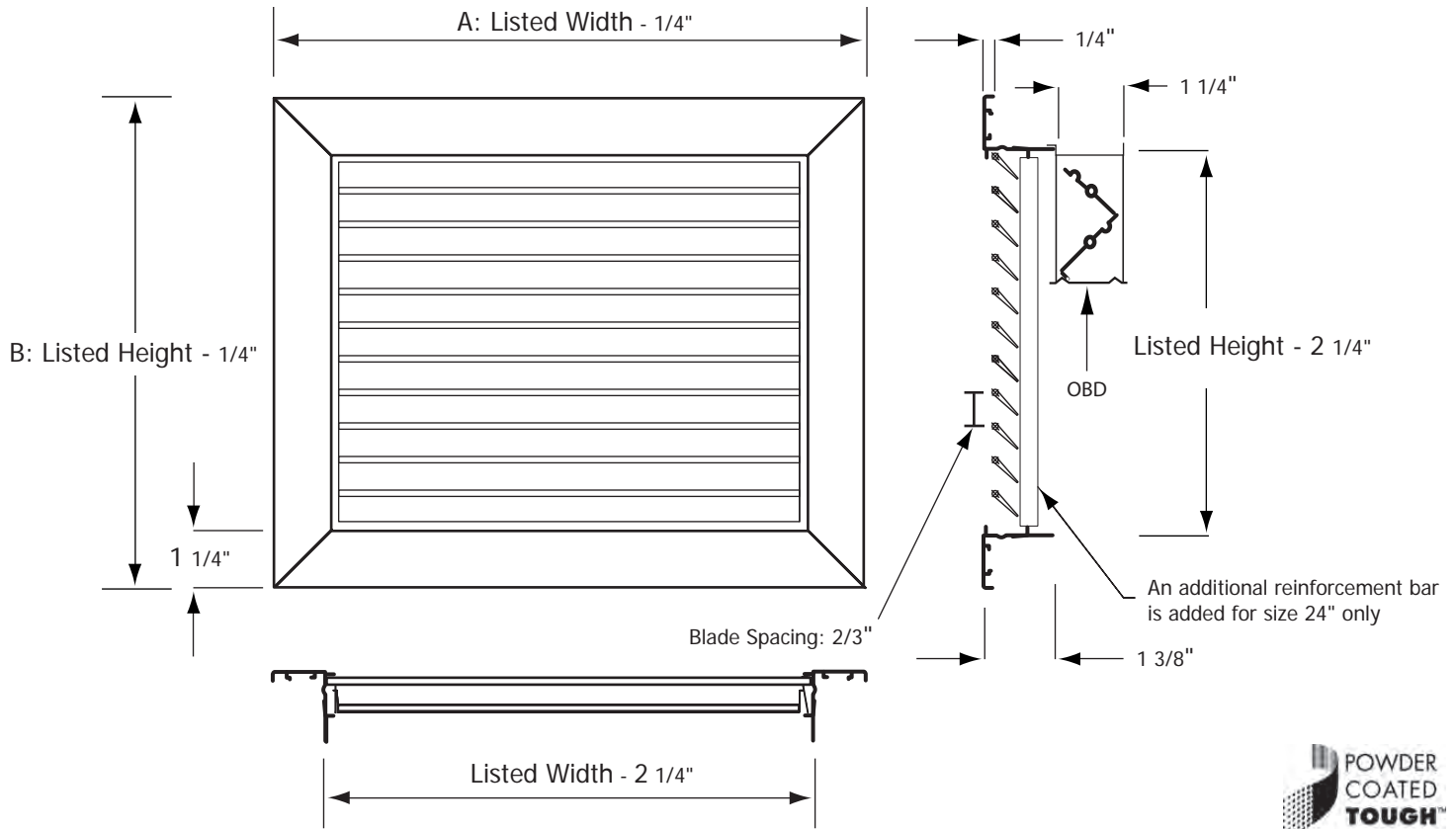
- Material:** Extruded aluminum frame.
Fixed blades.
- Finish:** Powder paint white finish.
- Mounting:** For T-bar lay-in ceiling grids.

Steel Bars

- GRTS without Damper (default)
- GRTS7 with Damper

Aluminum Bars

- GRTA without Damper (default)
- GRTA7 with Damper



✓	Model #	Face Dim. A x B	Neck Size.
	GRTS/7 1212	11 3/4" x 11 3/4"	10" x 10"
	GRTS/7 2412	23 3/4" x 11 3/4"	22" x 10"
	GRTS/7 2424	23 3/4" x 23 3/4"	22" x 22"
	GRTS/7 4812	47 3/4" x 11 3/4"	46" x 10"
	GRTS/7 4824	47 3/4" x 23 3/4"	46" x 22"

Finish		
<input type="checkbox"/> /W White <small>(default)</small>	<input type="checkbox"/> /M Mill Finish	<input type="checkbox"/> Custom <small>(please specify)</small>

Schedule type: _____

Job: _____

Architect: _____

Engineer: _____

Contractor: _____

Single Deflection Supply Grille Adjustable Air Pattern

Material: Extruded Aluminum Frame

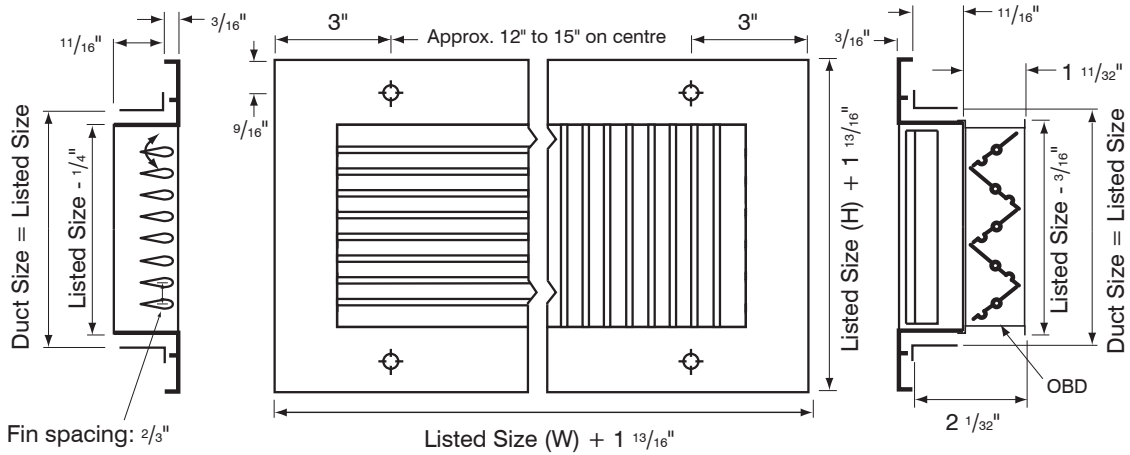
Horizontal Face Bars (Standard)
(Mullion required for w > 18")

- GSA10** Steel
- GSA17** Steel with OBD
- GAA10** Aluminum
- GAA17** Aluminum with OBD



Vertical Face Bars

- GSA10-V** Steel
- GSA17-V** Steel wwith OBD
- GAA10-V** Aluminum
- GAA17-V** Aluminum with OBD



Options			
-GK Flange Gasket	-GN Neck Gasket	-GR Rear Gasket	
-SF Supplied w/ sub frame	-DS Debris (Bird) Screen	-IS Insect Screen	-FB Fixed Blades 0 degrees



Finish				
/W White (default)	/B Brushed Aluminium	/M Mill Finish	/L Brushed and Lacquered	/C Custom (Please Specify)

Panel Option for T-bar lay-in Ceiling		
	Steel (WxH)	Aluminum (WxH)
	<input type="checkbox"/> -X1212	<input type="checkbox"/> -Y1212
	<input type="checkbox"/> -X1224	<input type="checkbox"/> -Y1224
	<input type="checkbox"/> -X2412	<input type="checkbox"/> -Y2412
	<input type="checkbox"/> -X2424	<input type="checkbox"/> -Y2424
	<input type="checkbox"/> -X2448	<input type="checkbox"/> -Y2448
	<input type="checkbox"/> -X4824	<input type="checkbox"/> -Y4824
	<input type="checkbox"/> -X2020	<input type="checkbox"/> -Y2020

No fastening options available

Fastening Method			
-1 No Fastening	-2 Spring clip	-3 Screw holes (Standard)	-6 Adhesive tape
Schedule type: _____ Job: _____ Architect: _____ Engineer: _____ Contractor: _____			

Fixed 45 degree Deflection Return Grille

Material: Extruded Aluminum Frame

Air Pattern: Adjustable Air Pattern

Horizontal Face Bars (Standard)

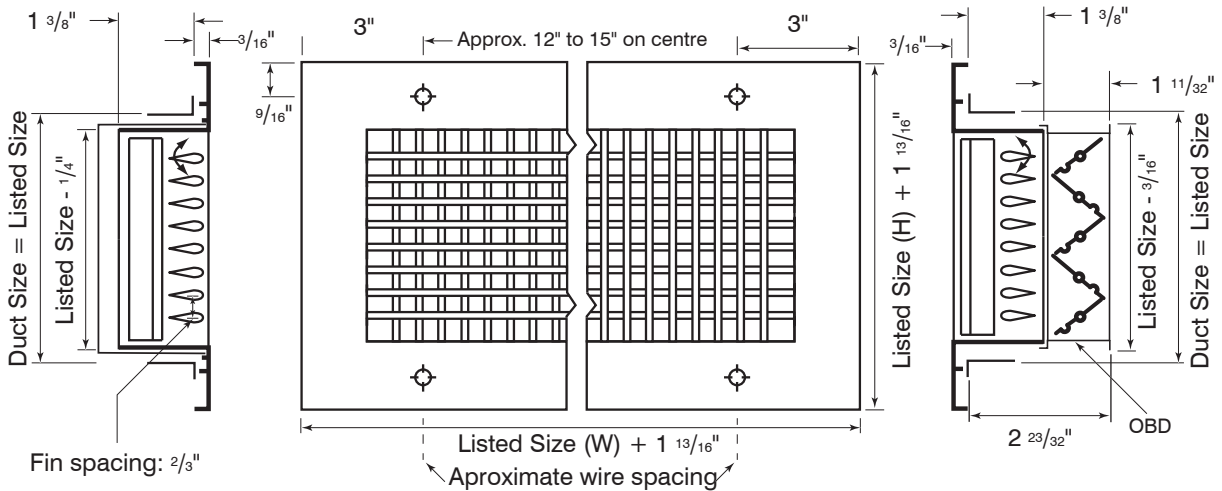
(Mullion required for w > 18")

- GSA20** Steel fins
- GSA27** Steel fins with OBD
- GAA20** Aluminum fins
- GAA27** Aluminum fins with OBD



Vertical Face Bars

- GSA20-V** Steel fins
- GSA27-V** Steel fins with OBD
- GAA20-V** Aluminum fins
- GAA27-V** Aluminum fins with OBD



Options			
-GK Flange Gasket	-GN Neck Gasket	-GR Rear Gasket	
-SF Supplied w/ sub frame	-DS Debris (Bird) Screen	-IS Insect Screen	-FB Fixed Blades 0 degrees



Finish				
/W White (default)	/B Brushed Aluminium	/M Mill Finish	/L Brushed and Lacquered	/C Custom (Please Specify)

Panel Option for T-bar lay-in Ceiling	
Steel (WxH)	Aluminum (WxH)
<input type="checkbox"/> -X1212	<input type="checkbox"/> -Y1212
<input type="checkbox"/> -X1224	<input type="checkbox"/> -Y1224
<input type="checkbox"/> -X2412	<input type="checkbox"/> -Y2412
<input type="checkbox"/> -X2424	<input type="checkbox"/> -Y2424
<input type="checkbox"/> -X2448	<input type="checkbox"/> -Y2448
<input type="checkbox"/> -X4824	<input type="checkbox"/> -Y4824
<input type="checkbox"/> -X2020	<input type="checkbox"/> -Y2020
No fastening options available	

Fastening Method			
-1 No Fastening	-2 Spring clip	-3 Screw holes (Standard)	-6 Adhesive tape
Schedule type: _____ Job: _____ Architect: _____ Engineer: _____ Contractor: _____			

Fixed 45 degree Deflection Return Grille

Material: Extruded Aluminum Frame

Horizontal Face Bars (Standard)
(Mullion required for w > 18")

- GSA40** Steel
- GSA47** Steel with OBD
- GAA40** Aluminum
- GAA47** Aluminum with OBD



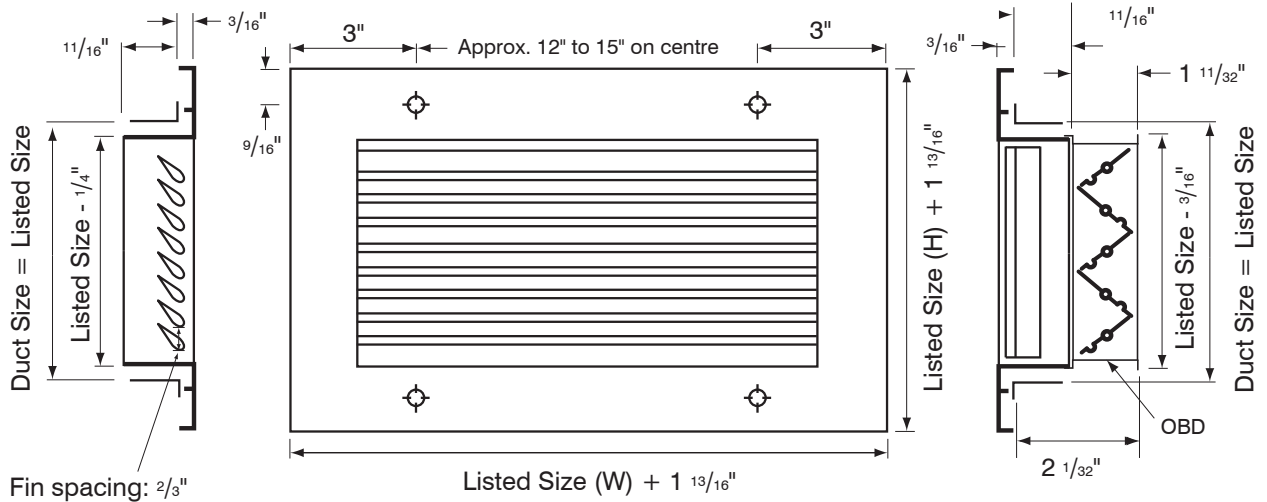
Vertical Face Bars

- GSA40-V** Steel
- GSA47-V** Steel with OBD
- GAA40-V** Aluminum
- GAA47-V** Aluminum with OBD



Options Ext.

-EXT
Reinforced
for Outside



Options			
<input type="checkbox"/> -GK Flange Gasket	<input type="checkbox"/> -GN Neck Gasket	<input type="checkbox"/> -GR Rear Gasket	
<input type="checkbox"/> -SF Supplied w/ sub frame	<input type="checkbox"/> -DS Debris (Bird) Screen	<input type="checkbox"/> -IS Insect Screen	<input type="checkbox"/> -FB Fixed Blades 0 degrees



Finish				
<input type="checkbox"/> /W White (default)	<input type="checkbox"/> /B Brushed Aluminium	<input type="checkbox"/> /M Mill Finish	<input type="checkbox"/> /L Brushed and Lacquered	<input type="checkbox"/> /C Custom (Please Specify)

Panel Option for T-bar lay-in Ceiling

	Steel (WxH)	Aluminum (WxH)
<input type="checkbox"/> -X1212	<input type="checkbox"/> -Y1212	
<input type="checkbox"/> -X1224	<input type="checkbox"/> -Y1224	
<input type="checkbox"/> -X2412	<input type="checkbox"/> -Y2412	
<input type="checkbox"/> -X2424	<input type="checkbox"/> -Y2424	
<input type="checkbox"/> -X2448	<input type="checkbox"/> -Y2448	
<input type="checkbox"/> -X4824	<input type="checkbox"/> -Y4824	
<input type="checkbox"/> -X2020	<input type="checkbox"/> -Y2020	

No fastening options available

Fastening Method

<input type="checkbox"/> -1 No Fastening	<input type="checkbox"/> -2 Spring clip	<input type="checkbox"/> -3 Screw holes (Standard)	<input type="checkbox"/> -6 Adhesive tape
--	---	--	---

Schedule type: _____

Job: _____

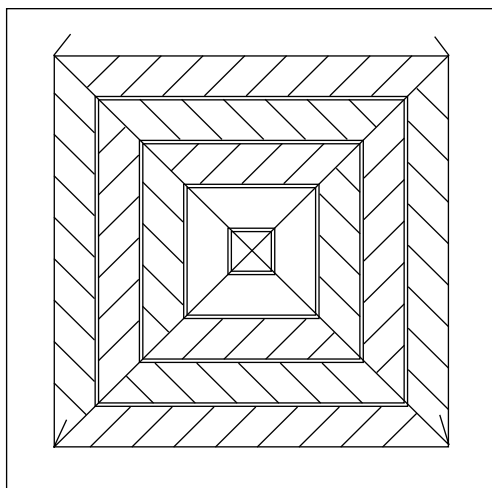
Architect: _____

Engineer: _____

Contractor: _____

High Induction Vanes

Material: Aluminum vanes crimped on the back of the diffuser's face.
Pushes air in alternate centrifugal directions to create induction.
Promotes rapid mixing of room air and supply air.



Finish	
<input type="checkbox"/> /W White (Default)	<input type="checkbox"/> /C Custom (Please Specify) _____



Schedule type: _____
Job: _____
Architect: _____
Engineer: _____
Contractor: _____

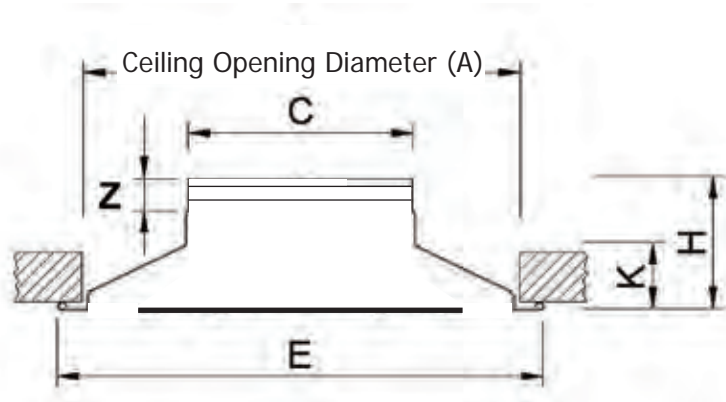
High Ceiling Round Diffuser Spun Aluminum

Material: Heavy gauge spun aluminum.
Finish: Powder paint coating - white.
Air Pattern: 360° diffusion, vertically.
Mounting: Surface or open ceiling.



ICG

SUBMITTAL SHEET



Model	Duct Size	A (in)	C (in)	E (in)	H (in)	K (in)	Z (in)
ICG 06	6"	11 59/64	5 3/4	13 5/16	4 15/16	1 47/64	1
ICG 08	8"	15 5/32	7 3/4	16 47/64	4 17/32	2 9/32	1
ICG 10	10"	18 17/64	9 3/4	19 3/8	4 31/64	2 1/4	1
ICG 12	12"	22 13/64	11 3/4	23 17/64	6 19/32	3 5/32	1
ICG 14	14"	24 13/16	13 29/32	26 1/16	5 33/64	3 17/64	1
ICG 16	16"	24 13/16	15 43/64	26 1/16	5 5/32	2 59/64	1
ICG 18	18"	31 7/32	17 19/32	32 3/4	6 13/16	4 11/64	1
ICG 20	20"	31 7/32	19 9/16	32 3/4	6 27/64	3 13/16	1

Finish	
<input type="checkbox"/> /W White (Default)	<input type="checkbox"/> /C Custom (Please Specify) _____



Schedule type: _____
Job: _____
Architect: _____
Engineer: _____
Contractor: _____

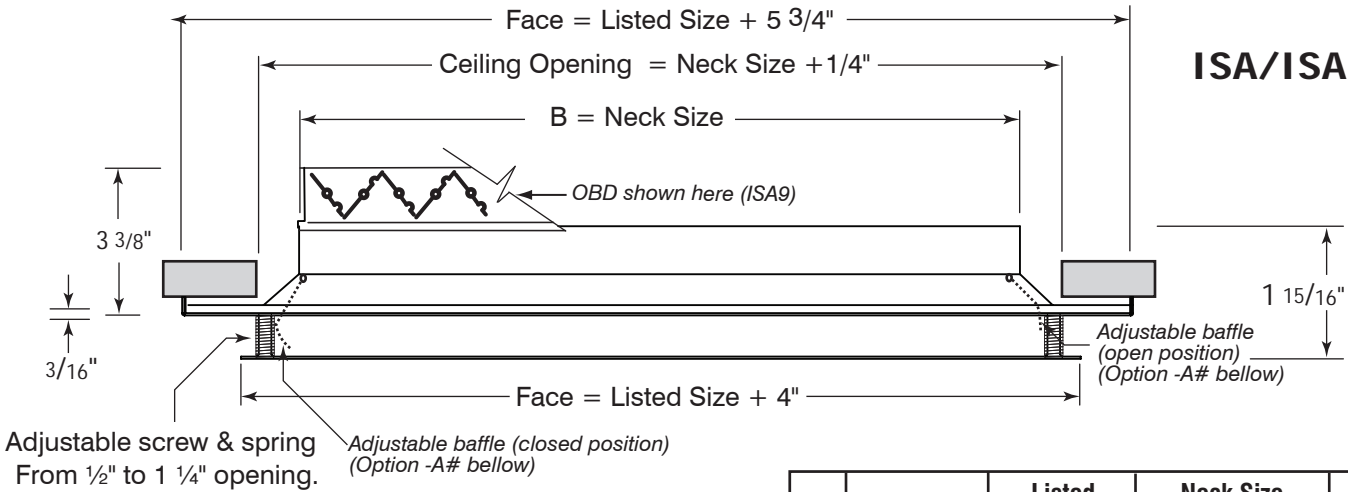
SUBMITTAL SHEET

Ceiling Diffuser - Adjustable Plaque Diffusers Directional Fixed Air Pattern - Square Neck

Material: Heavy gauge aluminum.
Finish: Powder paint coating - white.
Mounting: Surface or Lay-in T-bar ceiling.
Volume Control: Available with pre-installed aluminum OBD (Model# ISA9).



ISA/ISA9



✓	Model #	Listed Size	Neck Size B	Face Size
	ISA 0606	6" x 6"	5 15/16" x 5 15/16"	11 3/4" x 11 3/4"
	ISA 0909	9" x 9"	8 15/16" x 8 15/16"	14 3/4" x 14 3/4"
	ISA 1212	12" x 12"	11 15/16" x 11 15/16"	17 3/4" x 17 3/4"
	ISA 1515	15" x 15"	15 15/16" x 15 15/16"	20 3/4" x 20 3/4"
	ISA 1818	18" x 18"	18 15/16" x 18 15/16"	23 3/4" x 23 3/4"
	ISA9 0606	6" x 6"	6 3/16" x 6 3/16"	11 3/4" x 11 3/4"
	ISA9 0909	9" x 9"	9 3/16" x 9 3/16"	14 3/4" x 14 3/4"
	ISA9 1212	12" x 12"	12 3/16" x 12 3/16"	17 3/4" x 17 3/4"
	ISA9 1515	15" x 15"	15 3/16" x 15 3/16"	20 3/4" x 20 3/4"
	ISA9 1818	18" x 18"	18 3/16" x 18 3/16"	23 3/4" x 23 3/4"

Baffle direction option				
-A1 Baffle	-AC 2 Corner Baffle	-AO 2 Opposed Baffle	-A3 3 Baffle	-A4 4 Baffle

Mounting		
-0 Lay-In (Standard)	-3 Screw Holes	-4 Concealed

Panel Option for T-bar lay-in Ceiling		
	Steel (WxH)	Aluminum (WxH)
	<input type="checkbox"/> -X2412	<input type="checkbox"/> -Y2412
	<input type="checkbox"/> -X2424	<input type="checkbox"/> -Y2424
	<input type="checkbox"/> -X4812	<input type="checkbox"/> -Y4812
	<input type="checkbox"/> -X4824	<input type="checkbox"/> -Y4824
No mounting options available	<input type="checkbox"/> -X2020	<input type="checkbox"/> -Y2020

Finish	
<input type="checkbox"/> /W White (Default)	<input type="checkbox"/> /C Custom (Please Specify)



Schedule type: _____

Job: _____

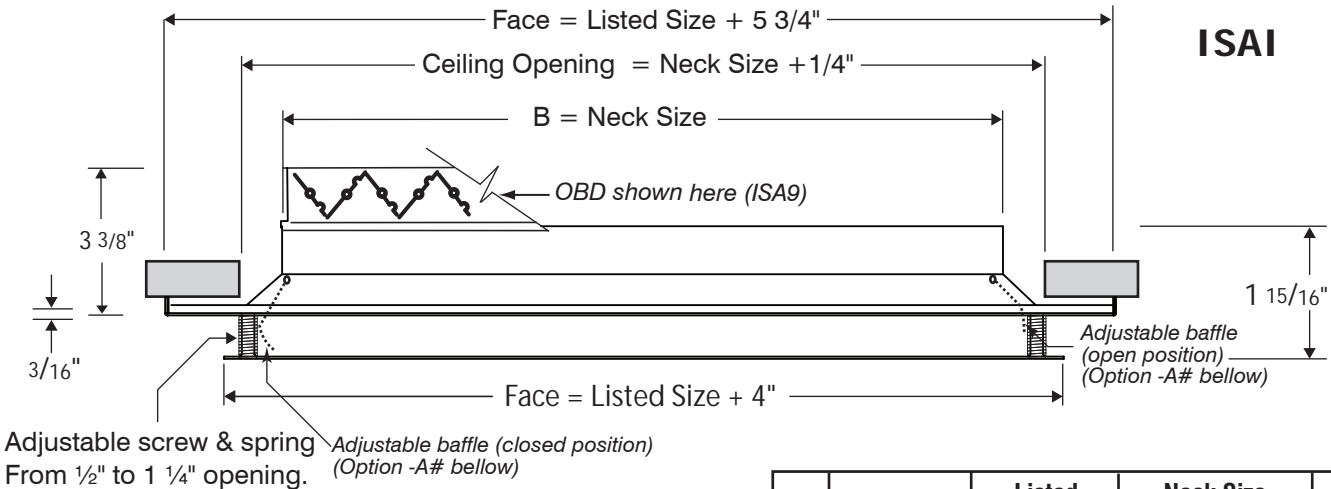
Architect: _____

Engineer: _____

Contractor: _____

Ceiling Diffuser - Adjustable Plaque Diffusers Directional Fixed Air Pattern - Square Neck

Material: Heavy gauge aluminum.
Finish: Powder paint coating - white.
Mounting: Surface or Lay-in T-bar ceiling.
Volume Control: Available with pre-installed aluminum OBD (Model# ISA9).



Baffle direction option				
-A1 Baffle	-AC 2 Corner Baffle	-AO 2 Opposed Baffle	-A3 3 Baffle	-A4 4 Baffle

Mounting		
-0 Lay-In (Standard)	-3 Screw Holes	-4 Concealed

Panel Option for T-bar lay-in Ceiling		
	Steel (WxH)	Aluminum (WxH)
	<input type="checkbox"/> -X2412	<input type="checkbox"/> -Y2412
	<input type="checkbox"/> -X2424	<input type="checkbox"/> -Y2424
	<input type="checkbox"/> -X4812	<input type="checkbox"/> -Y4812
	<input type="checkbox"/> -X4824	<input type="checkbox"/> -Y4824
No mounting options available	<input type="checkbox"/> -X2020	<input type="checkbox"/> -Y2020

✓	Model #	Listed Size	Neck Size B	Face Size
	ISA 0606	6" x 6"	5 15/16" x 5 15/16"	11 3/4" x 11 3/4"
	ISA 0909	9" x 9"	8 15/16" x 8 15/16"	14 3/4" x 14 3/4"
	ISA 1212	12" x 12"	11 15/16" x 11 15/16"	17 3/4" x 17 3/4"
	ISA 1515	15" x 15"	15" x 15"	20 3/4" x 20 3/4"
	ISA 1818	18" x 18"	18" x 18"	23 3/4" x 23 3/4"
	ISA9 0606	6" x 6"	6 3/16" x 6 3/16"	11 3/4" x 11 3/4"
	ISA9 0909	9" x 9"	9 3/16" x 9 3/16"	14 3/4" x 14 3/4"
	ISA9 1212	12" x 12"	12 3/16" x 12 3/16"	17 3/4" x 17 3/4"
	ISA9 1515	15" x 15"	15 3/16" x 15 3/16"	20 3/4" x 20 3/4"
	ISA9 1818	18" x 18"	18 3/16" x 18 3/16"	23 3/4" x 23 3/4"

Finish	
<input type="checkbox"/> /W White (Default)	<input type="checkbox"/> /C Custom (Please Specify)



Schedule type: _____
 Job: _____
 Architect: _____
 Engineer: _____
 Contractor: _____

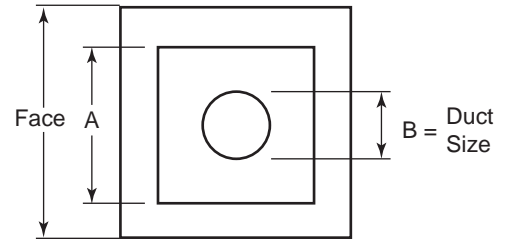
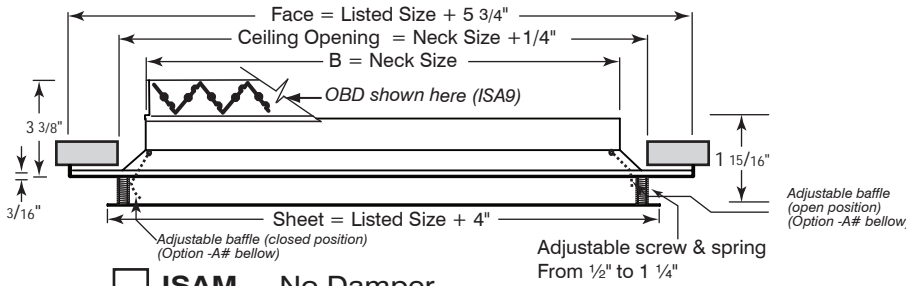
SUBMITTAL SHEET

Ceiling Diffuser - Adjustable Plaque Diffusers Directional Fixed Air Pattern - Round Neck

Material: Heavy gauge aluminum.
Finish: Powder paint coating - white.
Mounting: Surface or Lay-in T-bar ceiling.
Volume Control: Available with pre-installed opposed blade damper (Model# ISAM4) or radial sliding blade damper (Model# ISAM5).



ISAM



- ISAM** No Damper
- ISAM4** Pre-Installed N4 Opposed Blade Damper
- ISAM5** Pre-Installed N5 Radial Sliding Blade Damper

Adjustable baffle (open position) (Option -A# below)

Baffle direction option				
<input type="checkbox"/> -A1 Baffle	<input type="checkbox"/> -AC 2 Corner Baffle	<input type="checkbox"/> -AO 2 Opposed Baffle	<input type="checkbox"/> -A3 3 Baffle	<input type="checkbox"/> -A4 4 Baffle

Mounting		
<input type="checkbox"/> -0 Lay-In (Standard)	<input type="checkbox"/> -3 Screw Holes	<input type="checkbox"/> -4 Concealed

Finish	
<input type="checkbox"/> /W White (Default)	<input type="checkbox"/> /C Custom (Please Specify)



Panel Option for T-bar lay-in Ceiling		
	Steel (WxH)	Aluminum (WxH)
	<input type="checkbox"/> -X2412	<input type="checkbox"/> -Y2412
	<input type="checkbox"/> -X2424	<input type="checkbox"/> -Y2424
	<input type="checkbox"/> -X4812	<input type="checkbox"/> -Y4812
	<input type="checkbox"/> -X4824	<input type="checkbox"/> -Y4824
	<input type="checkbox"/> -X2020	<input type="checkbox"/> -Y2020

No mounting options available

✓	Model #	A	B	Neck Size	Face Size
	0606 06	6 x 6	6	5 7/8	11 3/4 x 11 3/4
	0909 06	9 x 9	6	5 7/8	14 3/4 x 14 3/4
	0909 08	9 x 9	8	7 7/8	14 3/4 x 14 3/4
	1212 06	12 x 12	6	5 7/8	17 3/4 x 17 3/4
	1212 08	12 x 12	8	7 7/8	17 3/4 x 17 3/4
	1212 10	12 x 12	10	9 7/8	17 3/4 x 17 3/4
	1212 12	12 x 12	12	11 7/8	17 3/4 x 17 3/4
	1515 06	15 x 15	6	5 7/8	20 3/4 x 20 3/4
	1515 08	15 x 15	8	7 7/8	20 3/4 x 20 3/4
	1515 10	15 x 15	10	9 7/8	20 3/4 x 20 3/4
	1515 12	15 x 15	12	11 7/8	20 3/4 x 20 3/4
	1515 14 ¹	15 x 15	14	13 7/8	20 3/4 x 20 3/4
	1818 06	18 x 18	6	5 7/8	23 3/4 x 23 3/4
	1818 08	18 x 18	8	7 7/8	23 3/4 x 23 3/4
	1818 10	18 x 18	10	9 7/8	23 3/4 x 23 3/4
	1818 12	18 x 18	12	11 7/8	23 3/4 x 23 3/4
	1818 14 ¹	18 x 18	14	13 7/8	23 3/4 x 23 3/4
	1818 16 ²	18 x 18	16	15 7/8	23 3/4 x 23 3/4

¹ Size not available for DLAM5 ² Size not available for DLAM4 and DLAM5

Schedule type: _____

Job: _____

Architect: _____

Engineer: _____

Contractor: _____

Square Plaque Diffuser - Architectural Line

- Material:** Stamped heavy gauge steel.
Finish: Powder paint coating - white.
Mounting: Surface or Lay-in T-bar ceiling.
Air Pattern: Fixed horizontal 360° diffusion.
Core Removal: Unlock hanger brackets by swiveling lever down. Holding core panel at opposite sides, push upwards, then turn clockwise and drop core free from back plenum.



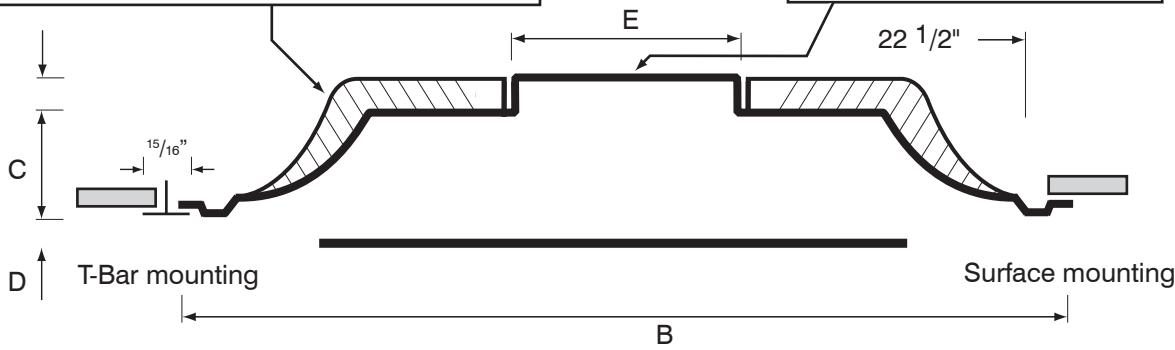
ISO

Optional fiberglass insulation on back panel, complies with A.S.T.M. E84 flame and smoke test. (Available only on models with 24" x 24" face)

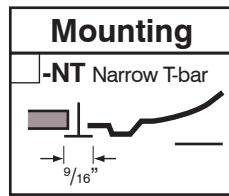
R4 R6

Round collar up to 14". Standard height is 1".

2" collar



✓	Model #	Duct Size	E	Face Dim B x B	C	D
	ISO 1206	6	5 7/8"	11 3/4" x 11 3/4"	1 3/4"	7/16"
	IOS 1208	8	7 7/8"	11 3/4" x 11 3/4"	1 3/4"	7/16"
	IOS 2406	6	5 7/8"	23 3/4" x 23 3/4"	2 7/8"	7/8"
	IOS 2408	8	7 7/8"	23 3/4" x 23 3/4"	2 7/8"	7/8"
	IOS 2410	10	9 7/8"	23 3/4" x 23 3/4"	2 7/8"	7/8"
	IOS 2412	12	11 7/8"	23 3/4" x 23 3/4"	2 7/8"	7/8"
	IOS 2414	14	13 7/8"	23 3/4" x 23 3/4"	2 7/8"	7/8"



Finish

/W White (Default) /C Custom (Please Specify)



Panel Option for T-bar lay-in Ceiling

No fastening options available

	Steel (WxH)	Aluminum (WxH)
<input type="checkbox"/>	-X2412	<input type="checkbox"/> -Y2412
<input type="checkbox"/>	-X2424	<input type="checkbox"/> -Y2424
<input type="checkbox"/>	-X2448	<input type="checkbox"/> -Y2448
<input type="checkbox"/>	-X4824	<input type="checkbox"/> -Y4824
<input type="checkbox"/>	-X2020	<input type="checkbox"/> -Y2020

Schedule type: _____

Job: _____

Architect: _____

Engineer: _____

Contractor: _____

SUBMITTAL SHEET

Square Plaque Diffuser - Architectural Line 2" High Collar, Individual Packaging

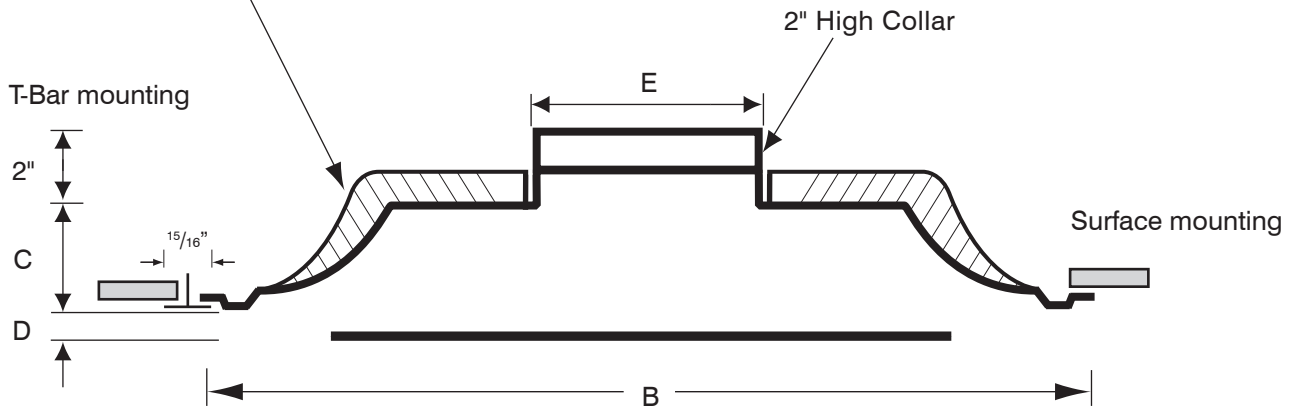


ISOD

- Material:** Stamped heavy gauge steel.
- Finish:** Powder paint coating - white.
- Mounting:** Surface or Lay-in T-bar ceiling.
- Air Pattern:** Fixed horizontal 360° diffusion.
- Core Removal:** Unlock hanger brackets by swiveling lever down. Holding core panel at opposite sides, push upwards, then turn clockwise and drop core free from back plenum.

Optional R6 fiberglass insulation on back panel complies with A.S.T.M. E84 flame and smoke test.

R4 R6



Mounting

-NT Narrow T-bar

9/16"

Finish

/W White (Default) /C Custom (Please Specify)



✓	Model #	Duct Size	E	Face Dim B x B	C	D
	ISOD 2406	6	5 7/8"	23 3/4" x 23 3/4"	2 7/8"	7/8"
	ISOD 2408	8	7 7/8"	23 3/4" x 23 3/4"	2 7/8"	7/8"
	ISOD 2410	10	9 7/8"	23 3/4" x 23 3/4"	2 7/8"	7/8"
	ISOD 2412	12	11 7/8"	23 3/4" x 23 3/4"	2 7/8"	7/8"

Schedule type: _____

Job: _____

Architect: _____

Engineer: _____

Contractor: _____

Square Plaque Diffuser - Architectural Line Insulated, One Size Fits All

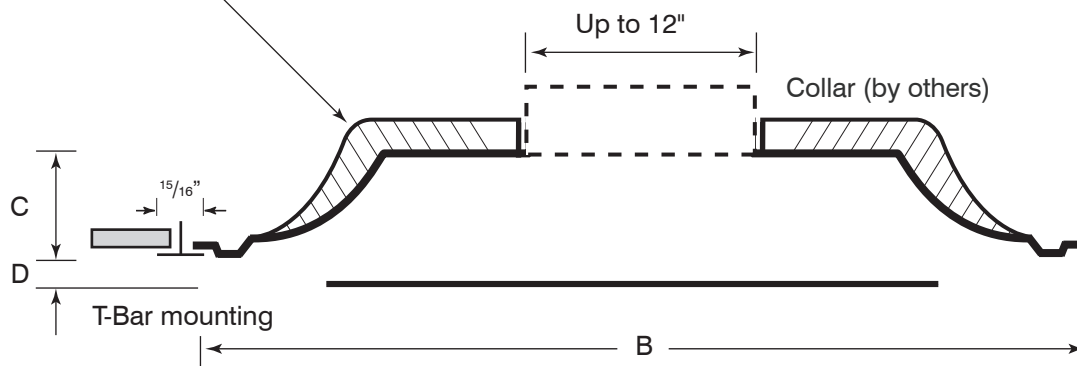
- Material:** Stamped heavy gauge steel.
Finish: Powder paint coating - white.
Mounting: Lay-in T-bar ceiling.
 Fixed horizontal 360° diffusion.
Air Pattern: Unlock hanger brackets by swiveling lever down. Holding core panel at opposite sides, push upwards, then turn clockwise and drop core free from back plenum.
Core Removal:


ISOI

SUBMITTAL SHEET

R6 fiberglass back complies with A.S.T.M. E84 flame and smoke test.

Scored for collar sizes up to 12" D. Contractor to install job-specific collar in field. For size 14", please refer to model ISO-R6 2414.



Model #	Face Dim B x B	C	D
ISOI	23 3/4" x 23 3/4"	2 7/8"	7/8"

Finish	
<input type="checkbox"/> /W White (Default)	<input type="checkbox"/> /C Custom (Please Specify)



Schedule type: _____

Job: _____

Architect: _____

Engineer: _____

Contractor: _____

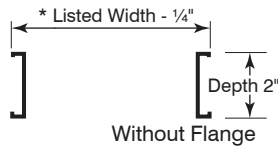
2" Deep Exhaust Louver

Material	Aluminum Extrusion - 6063- T5 Alloy
Frame walls	0.062" (1.57 mm)
Blade walls	0.062" (1.57 mm)
Blade deflection	30°
Blade spacing	2" (76 mm)
Depth	2" (51 mm)
Finish	Mill

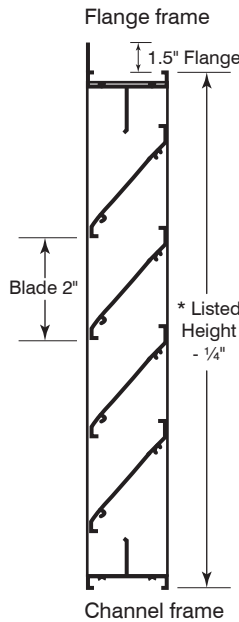
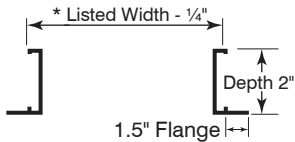


LA21

- LA210**
Channel Frame for Duct-Mount



- LA225**
Flange Frame for Flange-Mount



One-Piece Louver Dimensions

	Min.	Max.
Area	0.44 ft ² (0.06 m ²)	36 ft ² (3.34 m ²)
Width	8" (305 mm)	72" (1829 mm)
Height (53.2%)	8" (203 mm)	72" (1829 mm)

* Louver dimensions are undercut 1/4" (6.4 mm) for single sections and undercut 1/2" (12.7 mm) for multiple sections unless otherwise specified.

Performance

Louver Unit Size	48" x 48" (1219 x 1219 mm)
Total Area	16 ft ² (1.49 m ²)
Free Area	8.51 ft ² (0.79 m ²)

Air Velocity with beginning point of water penetration @ 0.01 oz./ft² Free area (during 15 min) 400 FPM.

Options

Screen options

- DS** 19 GA Birdscreen - 1/2" x 1/2" Openings (Default)
- DSA** 14 GA Aluminum Birdscreen - 1/2" x 1/2"
- DSF** Aluminum Birdscreen With 1" Frame
- IS** Insect Screen

Filter Holder Options

- F1** Filter Holder 1" Deep
- F2** Filter Holder 2" Deep

Other Options

- ES** Extended Sills 14 GA Aluminum
- SG** Security Grilles
- NS** Welded Construction (no screws)
- HM** Hidden Mullions

Blank-off Panels (Aluminum)

- BP0** Blank-off Panel (Non-Insulated)
- BP1** 1" (25.4 mm) Thick Insulated Blank-off Panel
- BP2** 2" (50.8 mm) Thick Insulated Blank-off Panel

Finish

- /M** Mill finish (default)
- /DR** Duranar Finish
- /DN** Duracron Finish
- /C#** (# = A,B,C, or D see RAL Chart) RAL Code: _____
- /CL** Custom Baked Enamel Liquid Paint Match
- /CP** Custom Powder Paint Match
- /A** Clear Anodized
- /AL** Light Bronze Anodized
- /AM** Medium Bronze Anodized
- /AD** Dark Bronze Anodized
- /AB** Black Anodized

Schedule type: _____

Architect: _____

Job: _____

Engineer: _____

P.O. Number: _____

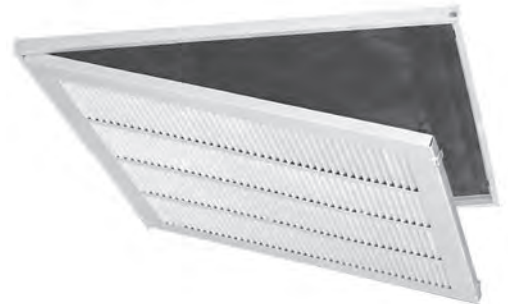
Contractor: _____

Lanced Face Filter Return with Molded Fiberglass Back Panel Hinged face

Material: Molded fiberglass back with aluminum foil vapor barrier scored for 6" to 14" D. in an extruded aluminum fixed frame. Steel lanced face with 1/2" spaced fins set at 40° swings in and out of fixed frame, for access to 20"x20" filter, by others.

Finish: Powder paint coating - white.

Mounting: T-bar Lay-in ceiling.

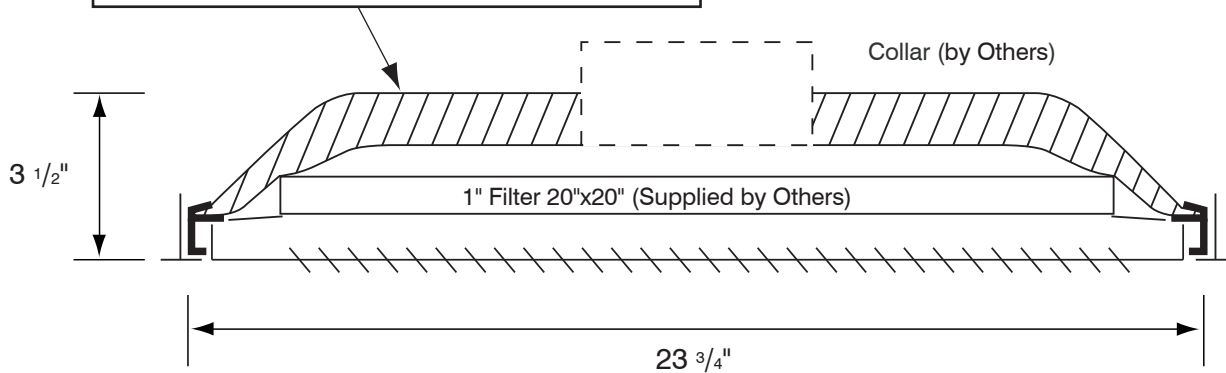


SUBMITTAL SHEET

LRIF

Fiberglass back complies with A.S.T.M. E84 flame and smoke test. Scored for collar sizes up to 14" D.

R4 R6



Finish	
<input type="checkbox"/> /W White (Default)	<input type="checkbox"/> /C Custom (Please Specify)



Schedule type: _____

Job: _____

Architect: _____

Engineer: _____

Contractor: _____

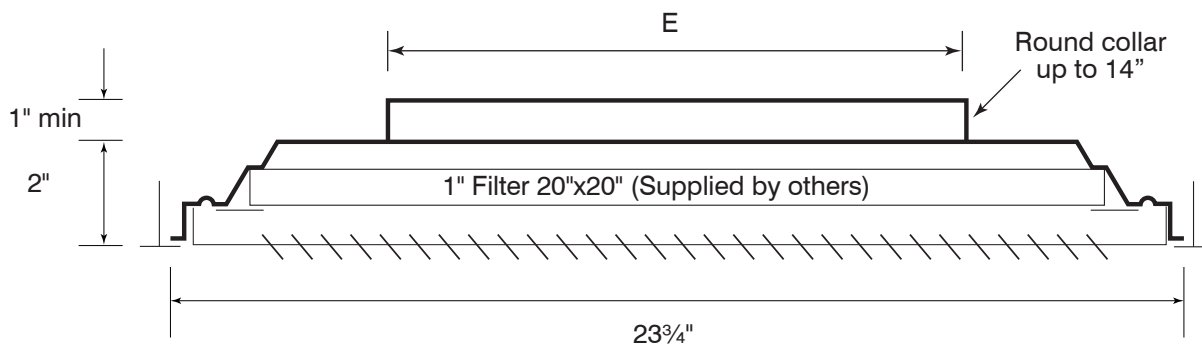
SUBMITTAL SHEET

Lanced Face Filter Return with Steel Back Panel, Hinged Face

Material: Stamped heavy gauge steel backpanel with reinforcing corners. Steel lanced face with 1/2" spaced fins at 40o swings in and out of fixed frame, for access to 20"x20" filter, by others.
Finish: Powder paint coating - white.
Mounting: T-bar Lay-in ceiling.



LRMF



✓	Model #	Duct Size	E	Face Dim
	LRMF 2406	6	5 7/8"	23 3/4" x 23 3/4"
	LRMF 2408	8	7 7/8"	23 3/4" x 23 3/4"
	LRMF 2410	10	9 7/8"	23 3/4" x 23 3/4"
	LRMF 2412	12	11 7/8"	23 3/4" x 23 3/4"
	LRMF 2414	14	13 7/8"	23 3/4" x 23 3/4"

Finish	
<input type="checkbox"/> /W White (Default)	<input type="checkbox"/> /C Custom (Please Specify)



Schedule type: _____

Job: _____

Architect: _____

Engineer: _____

Contractor: _____

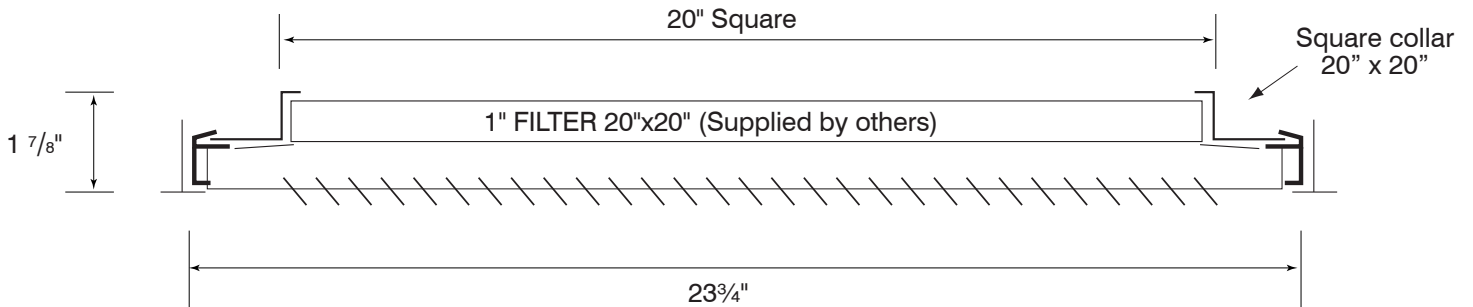
Lanced Face Filter Return with 20" x 20" filter frame Hinged face

- Material:** Steel filter frame will accept standard 1" filter. Steel lanced face with 1/2" spaced fins at 40° swings in and out of fixed frame, for access to 20"x20" filter, by others.
- Finish:** Powder paint coating - white.
- Mounting:** T-bar Lay-in ceiling.



LRTF

SUBMITTAL SHEET



Finish	
<input type="checkbox"/> /W White (Default)	<input type="checkbox"/> /C Custom (Please Specify)



Schedule type: _____

Job: _____

Architect: _____

Engineer: _____

Contractor: _____

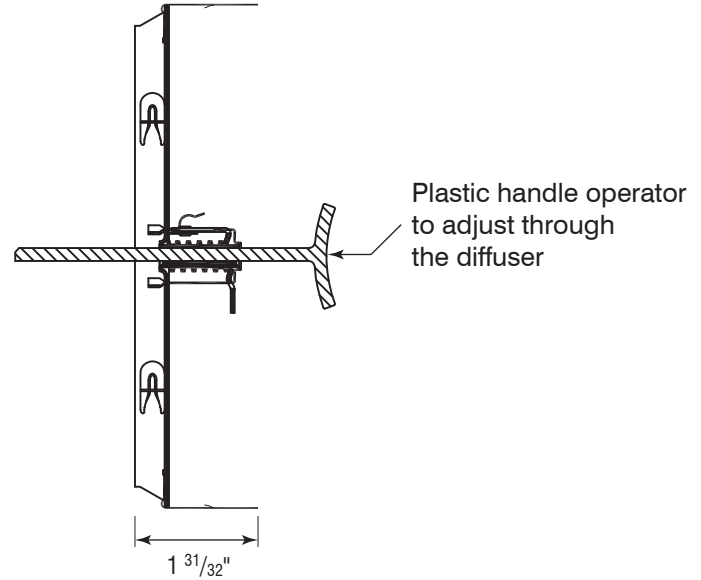
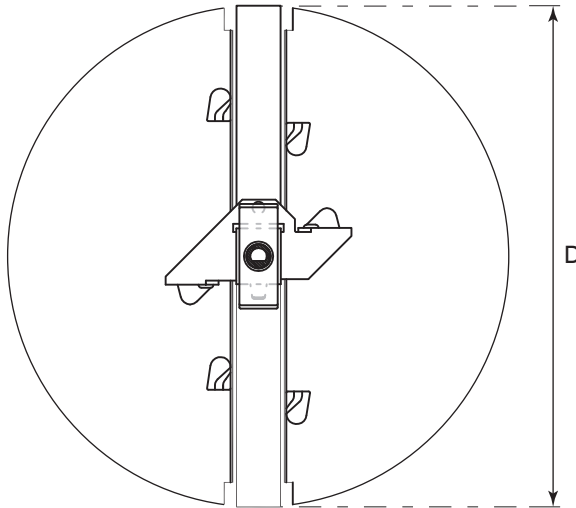
SUBMITTAL SHEET

Round Butterfly Damper for Dfx Series

Material: Heavy gauge steel.
Finish: Powder paint coating - light brown.
Adjustment: Plastic handle operator.

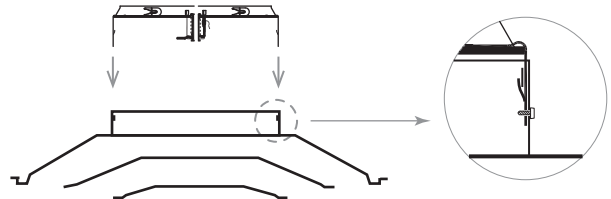


N2



Installation

Clip damper into collar



✓	Model #	Nom. Size	Diameter (D)
	N4 06	6"	5 11/16"
	N4 08	8"	7 11/16"
	N4 10	10"	9 11/16"
	N4 12	12"	11 11/16"
	N4 14	14"	13 11/16"

Schedule type: _____

Job: _____

Architect: _____

Engineer: _____

Contractor: _____

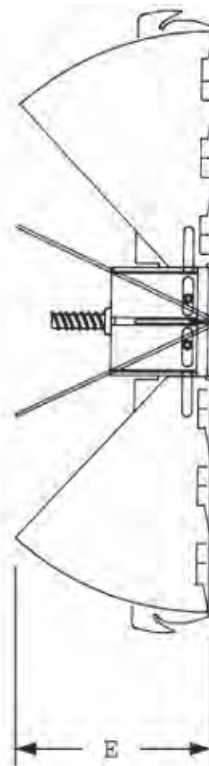
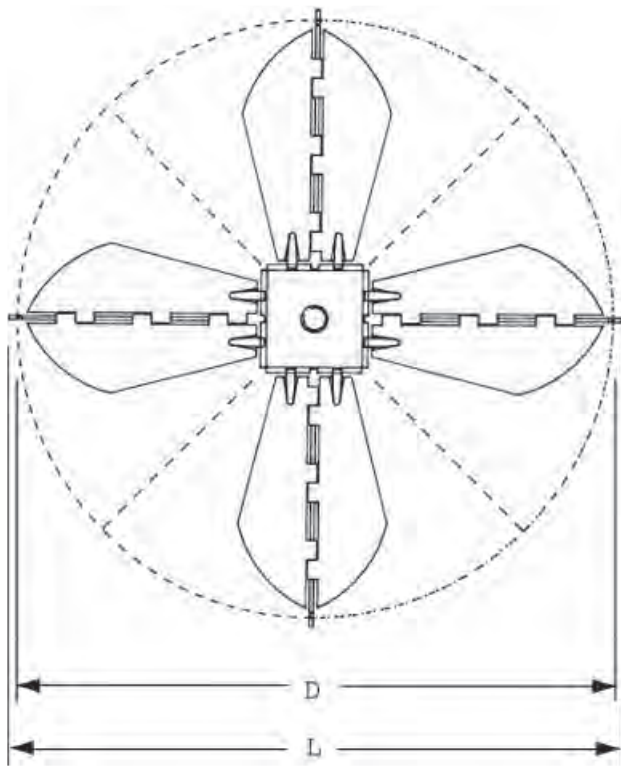
Round Opposed Blade Damper

Material: All galvanized steel.
Mounting: Round collar of diffuser.

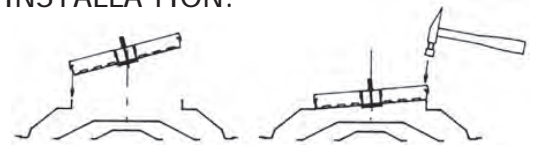


N4
 (N4 08 shown here)

VERTICAL OPERATOR ACCEPTS STANDARD SCREWDRIVER FOR SLOTTED OR HEX HEAD THRU DIFFUSER FACE



INSTALLATION:



✓	Model #	Nom. Size	Overall Dimensions		
			Blade (D)	Brace (L)	Depth (E)
	N4 06	6"	5 3/4"	6"	2 3/8"
	N4 08	8"	7 3/4"	8"	3 1/8"
	N4 10	10"	9 3/4"	10"	3 3/4"
	N4 12	12"	11 3/4"	12"	4 1/2"
	N4 14	14"	13 3/4"	14"	5 1/4"

Finish	
<input type="checkbox"/> /M Mill Finish (Default)	<input type="checkbox"/> /BK Black

Schedule type: _____

Job: _____

Architect: _____

Engineer: _____

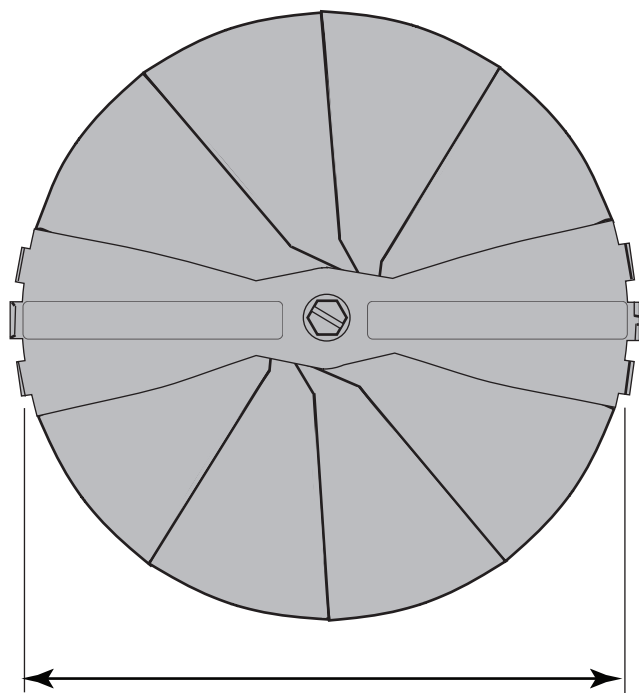
Contractor: _____

Round Sliding Blade Damper

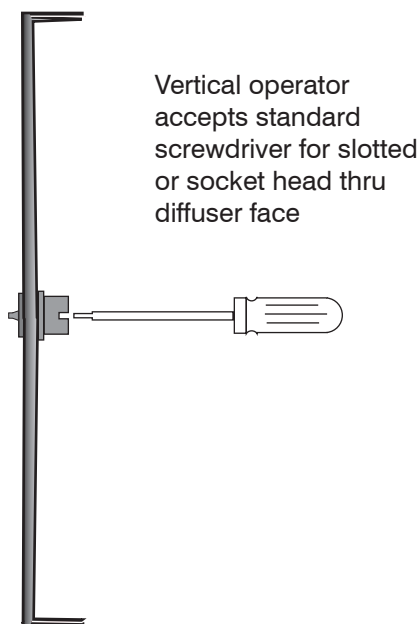
Material: All galvanized steel.
Mounting: Round collar of diffuser.



N5



Actual Size = Nominal Size - 1/2"



Vertical operator accepts standard screwdriver for slotted or socket head thru diffuser face

✓	Model #	Nom. Size
	N5 06	6"
	N5 08	8"
	N5 10	10"
	N5 12	12"

Finish	
<input type="checkbox"/> /W	<input type="checkbox"/> /C Custom (Please Specify)
White (Default)	_____



Schedule type: _____

Job: _____

Architect: _____

Engineer: _____

Contractor: _____

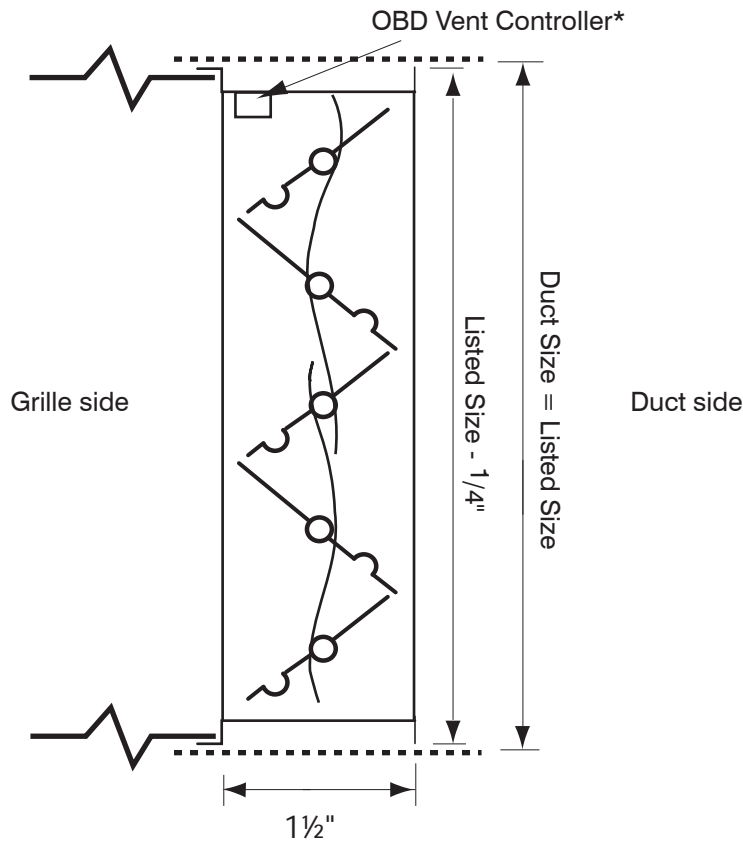
Square/Rectangular Opposed Blade Damper

Material: All galvanized steel
Mounting: Square/Rectangular fit to grille



N7

SUBMITTAL SHEET



*OBD vent controller accepts standard screwdriver for slotted or socket head thru grille face

Sections are maximum 18 » x 18 ». Larger sizes are in multiple sections.

Schedule type: _____
Job: _____
Architect: _____
Engineer: _____
Contractor: _____

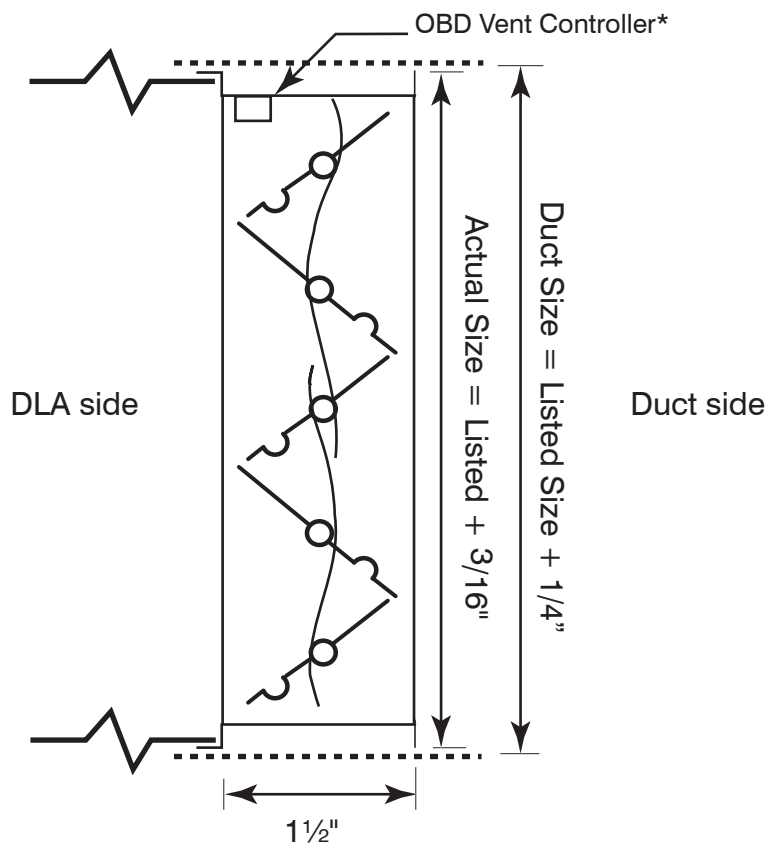
SUBMITTAL SHEET

Square Opposed Blade Damper for DLA Series

Material: Aluminum



N9

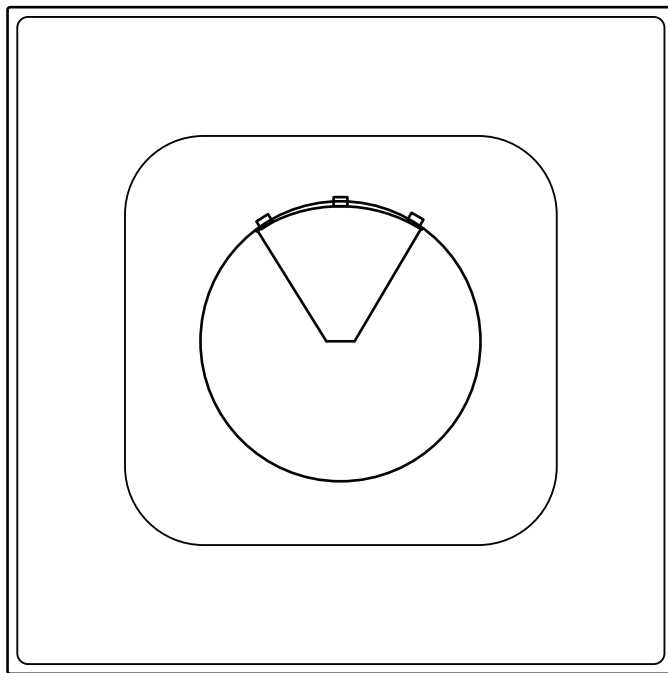


*obd vent controller accepts standard screwdriver for slotted head

Schedule type:	_____
Job:	_____
Architect:	_____
Engineer:	_____
Contractor:	_____

Baffle For Cone Diffuser With Round Neck

- Material:** Galvanised steel
Finish: Powder painting - Black
Mounting: Clips



(Top View)



✓	Model #	Duct Size	Neck Size
	NBD 06	6"	5 7/8"
	NBD 08	8"	7 7/8"
	NBD 10	10"	9 7/8"
	NBD 12	12"	11 7/8"
	NBD 14	14"	13 7/8"



Schedule type: _____
Job: _____
Architect: _____
Engineer: _____
Contractor: _____

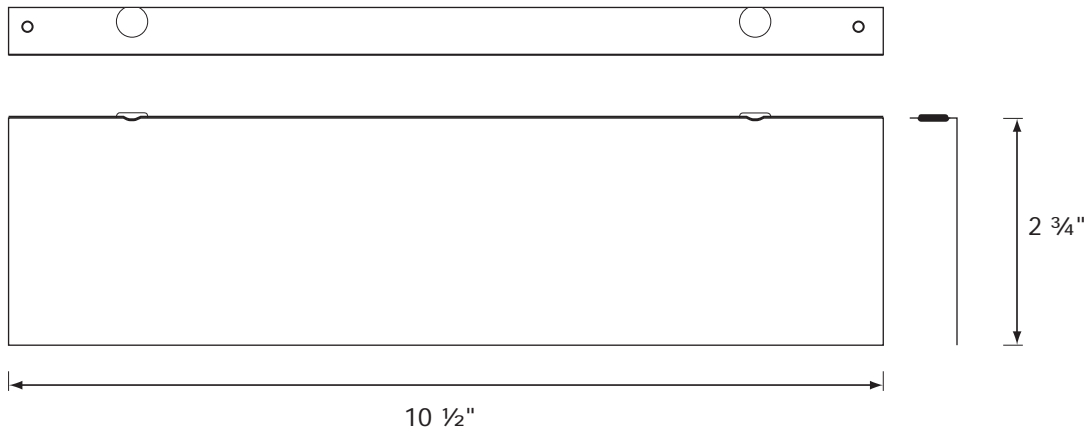
SUBMITTAL SHEET

Baffle for ISO plaque diffusers

- Material:** Galvanized Steel
- Finish:** Powder paint coating - white
- Mounting:** Magnets



NBI



Finish	
<input type="checkbox"/> /W	<input type="checkbox"/> /C Custom (Please Specify)
White (Default)	_____



Schedule type: _____
Job: _____
Architect: _____
Engineer: _____
Contractor: _____

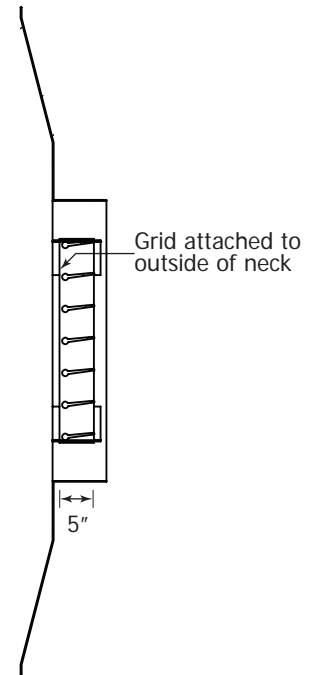
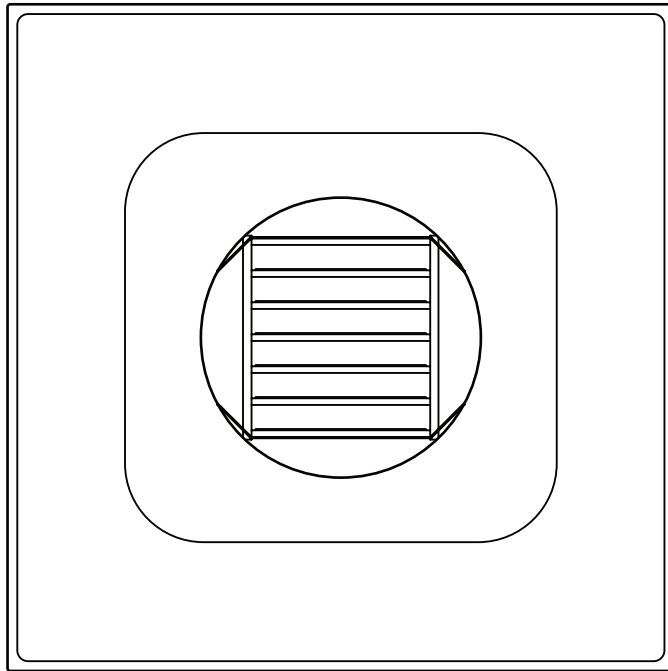
Round Equalizing Grid

Material: Extruded aluminum adjustable louver blades used to equalize air flow into round diffuser neck for minimum noise and turbulence.



NEG

SUBMITTAL SHEET



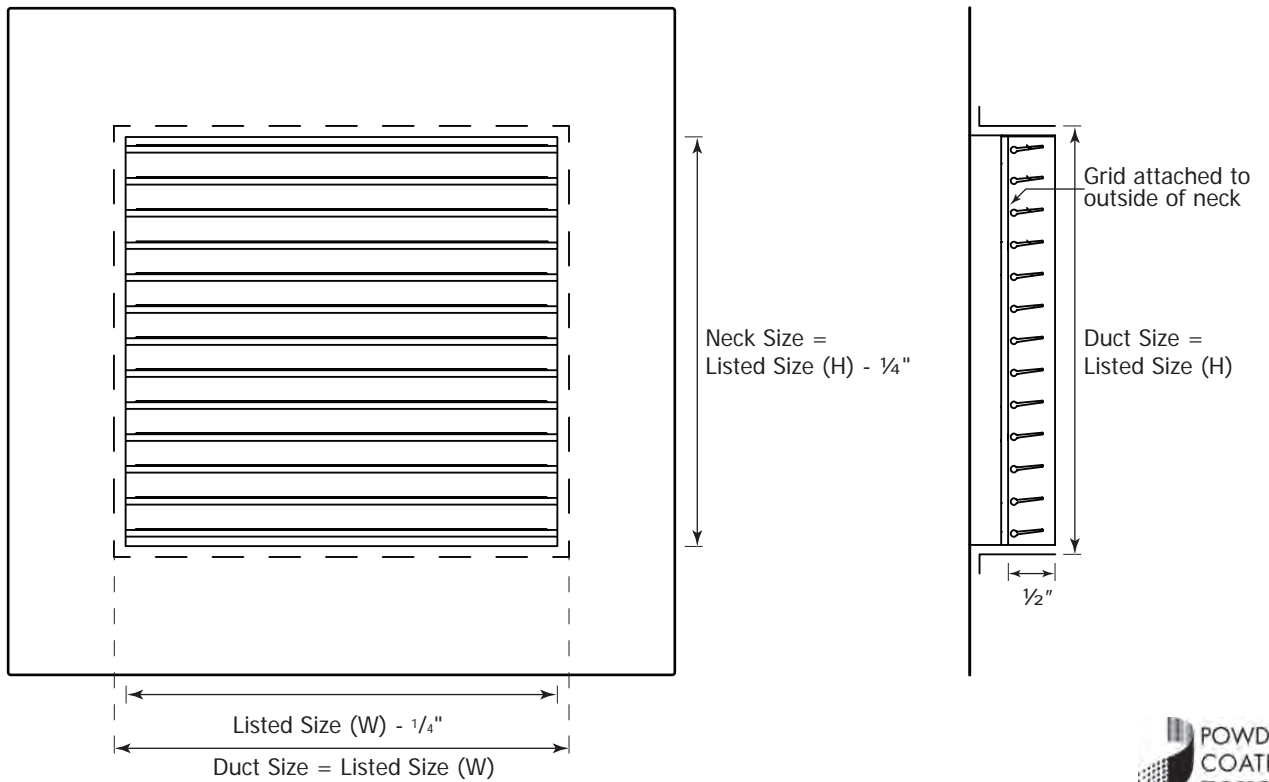
✓	Model #	Duct Size	Neck Size
	NEG 06	6"	5 7/8"
	NEG 08	8"	7 7/8"
	NEG 10	10"	9 7/8"
	NEG 12	12"	11 7/8"
	NEG 14	14"	13 7/8"

Finish			
<input type="checkbox"/> /W White (default)	<input type="checkbox"/> /BK Black	<input type="checkbox"/> /M Mill Finish	<input type="checkbox"/> Custom (please specify)

Schedule type: _____
Job: _____
Architect: _____
Engineer: _____
Contractor: _____

Square Equalizing Grid

Material: Extruded aluminum adjustable louver blades used to equalize air flow into square diffuser neck for minimum noise and turbulence.



Maximum one piece dimension : 18" x 18"

<input checked="" type="checkbox"/>	Model #
<input type="checkbox"/>	NES 0606
<input type="checkbox"/>	NES 0808
<input type="checkbox"/>	NES 1010
<input type="checkbox"/>	NES 1212
<input type="checkbox"/>	NES 1414

Finish			
<input type="checkbox"/> /W White (default)	<input type="checkbox"/> /BK Black	<input type="checkbox"/> /M Mill Finish	<input type="checkbox"/> Custom (please specify) _____

Schedule type: _____

Job: _____

Architect: _____

Engineer: _____

Contractor: _____

R6 Molded Fiberglass Backpan

Material: Molded fiberglass with a foil layer on the exterior.

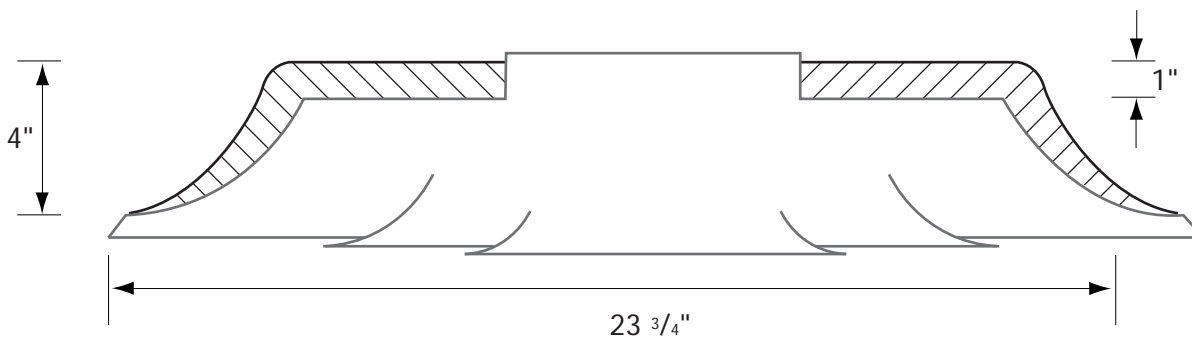


NR6MFG

SUBMITTAL SHEET

R6 fiberglass back complies with A.S.T.M. E84 flame and smoke test.

Scored for collar sizes up to 12" D. Contractor to install job-specific collar in field. For size 14", please refer to model DF3-R6 2414. (Available only on models with 24" x 24" face diffusers).



Schedule type: _____

Job: _____

Architect: _____

Engineer: _____

Contractor: _____

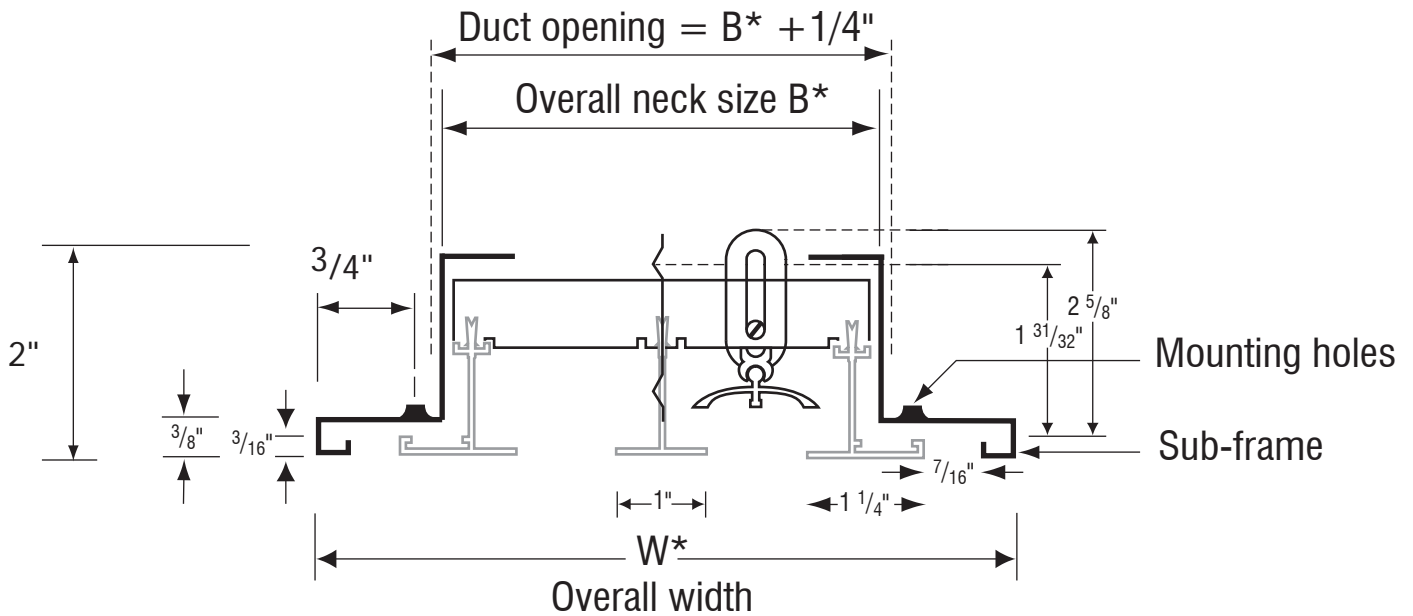
SUBMITTAL SHEET

Sub-Frame for Linear 1" Slot Diffuser

Material: Extruded aluminum construction
Mounting: Countersunk mounting holes on sub-frame.



NSA1



✓	NO. OF SLOTS	B*	W*
	01	2 ⁵ / ₈ "	5"
	02	4 ⁵ / ₈ "	7"
	03	6 ⁵ / ₈ "	9"
	04	8 ⁵ / ₈ "	11"
	05	10 ⁵ / ₈ "	13"
	06	12 ⁵ / ₈ "	15"
	07	14 ⁵ / ₈ "	17"
	08	16 ⁵ / ₈ "	19"

Finish	
<input type="checkbox"/> /W White (Default)	<input type="checkbox"/> /C Custom (Please Specify)



Mounting	
<div style="text-align: right;">-E <input type="checkbox"/></div> <p>Surface mounting</p>	

Schedule type: _____

Job: _____

Architect: _____

Engineer: _____

Contractor: _____

Frame for Narrow T-Bar

Material: Aluminium construction.

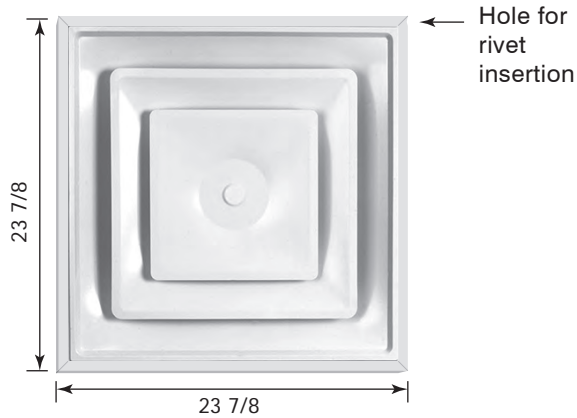


NT
(DF3-NT shown here)

Bending Operation



Riveting Operation



Schedule type: _____
Job: _____
Architect: _____
Engineer: _____
Contractor: _____

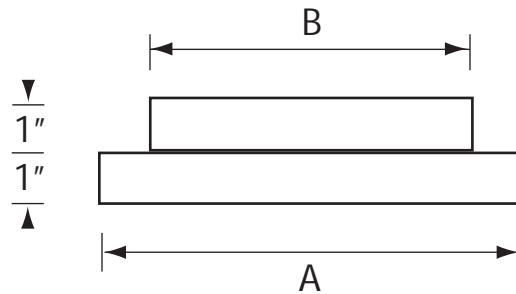
SUBMITTAL SHEET

Round to Round Transition

Material: heavy gauge galvanized steel.

Standard is Imperial - Imperial

-MI : Metric - Imperial



✓	Model #	A interior dim Diffuser Collar Insert	B exterior dim Duct Connection
	NTRR 0604	6" D	3 3/4" D
	NTRR 0605	6" D	4 3/4" D
	NTRR 0807	8" D	6 3/4" D
	NTRR 1009	10" D	8 3/4" D
	NTRR 1415	14" D	14 3/4" D
	NTRR-MI 160 6	165 mm D	5 3/4" D
	NTRR-MI 315 12	320 mm D	11 3/4" D



Finish		
<input type="checkbox"/> /M Mill Finish	<input type="checkbox"/> /W White (default)	<input type="checkbox"/> Custom (please specify)

Schedule type: _____

Job: _____

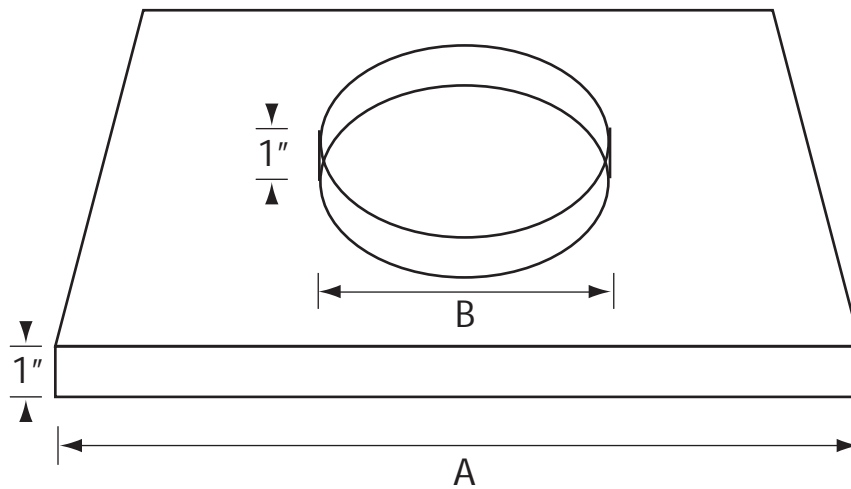
Architect: _____

Engineer: _____

Contractor: _____

Square to Round Transition

Material: 22 gauge steel.



✓	NTSR
---	------

✓	Listed A	Actual Interior Dimension
	24	24" x 24"
	22	22" x 22"
	12	12" x 12"
	10	10" x 10"

✓	Listed B	Actual Exterior Dimension
	06	5 7/8"
	08	7 7/8"
	10	9 7/8"
	12	11 7/8"
	14	13 7/8"

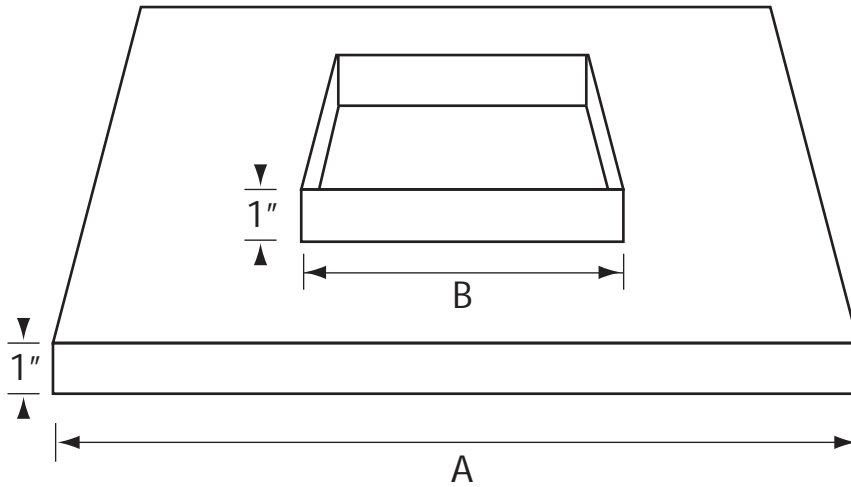


Finish		
<input type="checkbox"/> /M Mill Finish	<input type="checkbox"/> /W White (default)	<input type="checkbox"/> Custom (please specify)

Schedule type: _____
Job: _____
Architect: _____
Engineer: _____
Contractor: _____

Square to Square Transition

Material: 22 gauge steel.



✓	NTSS
---	------

✓	Listed A	Actual Interior Dimension
	2424	24" x 24"
	2222	22" x 22"
	1212	12" x 12"
	1010	10" x 10"

✓	Listed B	Actual Exterior Dimension
	2222	21 7/8" x 21 7/8"
	2020	19 7/8" x 19 7/8"
	1818	17 7/8" x 17 7/8"
	1616	15 7/8" x 15 7/8"
	1414	13 7/8" x 13 7/8"
	1212	11 7/8" x 11 7/8"
	1010	9 7/8" x 9 7/8"
	0808	7 7/8" x 7 7/8"
	0606	5 7/8" x 5 7/8"
	0404	3 7/8" x 3 7/8"



Finish		
<input type="checkbox"/> /M Mill Finish	<input type="checkbox"/> /W White (default)	<input type="checkbox"/> Custom (please specify)

Schedule type: _____

Job: _____

Architect: _____

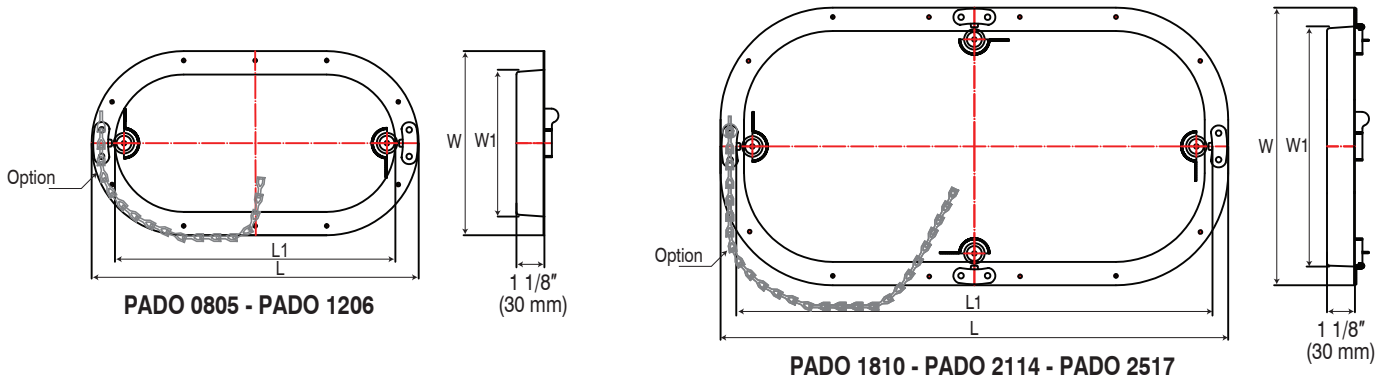
Engineer: _____

Contractor: _____

Low Leakage Flat Oval Access Door

- Material:** 22ga (0.85) galvanized door panel and flanged frame (Die-formed).
Hinge: Plated steel camlock fasteners
Insulation: 1" (25) Styrofoam with a 22ga galvanized backing plate.
Mounting: 3/16" (5) dia. pre-punched holes on inner flange for surface mounting.
Application: Adaptable to all Ducts 5" (127) or Over.
Template: Layout template included on each box.

SUBMITTAL SHEET



Dimensional Data :

Model	Nominal Size	L1	W1	L	W	Qty. /Box
PADO 0805	8" x 5" (200 mm x 125mm)	5 1/8" (205 mm)	5" (129 mm)	9 1/2" (241 mm)	6 1/2" (165 mm)	20
PADO 1206	12" x 6" (300mm x 150 mm)	12" 1/8" (309 mm)	6 1/2" (158 mm)	13 3/4" (349 mm)	7 3/4" (198 mm)	10
PADO 1810	18" x 10" (460 mm x 250 mm)	18 1/2" (462 mm)	10 1/4" (260 mm)	19 3/4" (502 mm)	11 7/8" (300 mm)	10
PADO 2114	21" x 14" (530 mm x 360 mm)	21 1/4" (540 mm)	14 1/8" (360 mm)	13 7/8" (580 mm)	15 3/4" (400 mm)	5
PADO 2517	25" x 17" (635 mm x 430 mm)	25 1/8" (640 mm)	17 1/4" (438 mm)	26 3/4" (680 mm)	19 7/8" (478 mm)	4

Option	
<input type="checkbox"/>	-SC Safety Chain

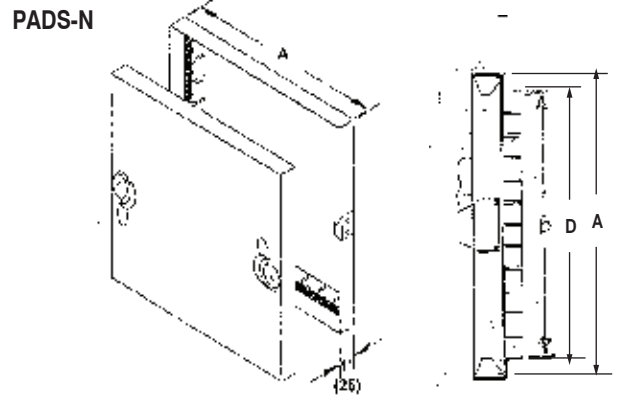
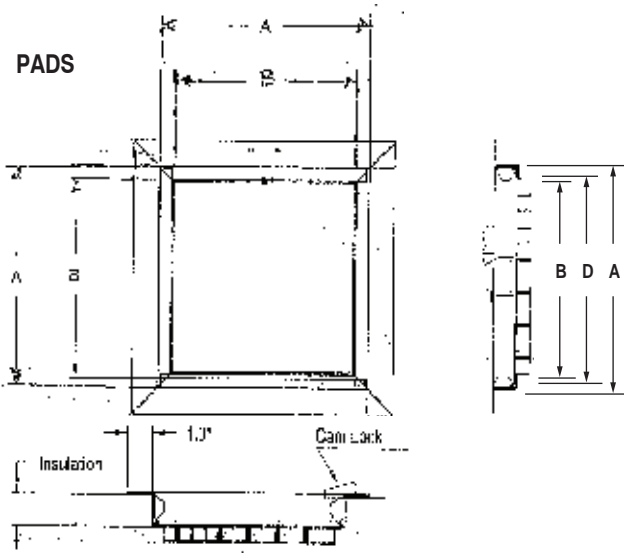
Model Description

Low leakage, quality and performance access door. Flat oval design, double flanged door with pre-punched holes on inner flange for surface mounting optimizes access area and simplifies installation.

Schedule type: _____
Job: _____
Architect: _____
Engineer: _____
Contractor: _____

Low Leakage Flat Oval Access Door

- Material:** 22 ga Steel Construction, Gasket behind frame and door for low leakage.
Hinge: Camlock Operation. 2 camlocks for 16" under, 4 over 16".
Insulation: 1" (25) Styrofoam.
Mounting: Notched knock-over.
Application: Adaptable to all Ducts 5" (127) or Over.



Dimensional Data (W x H):

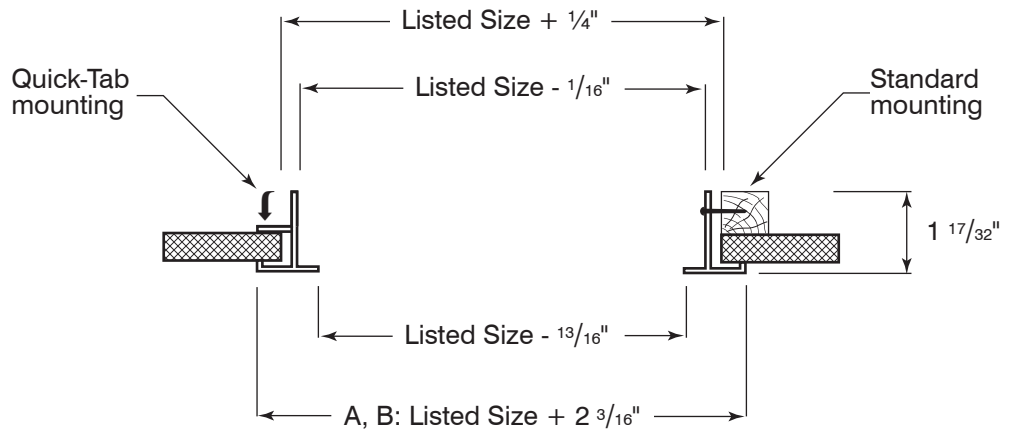
Model	Nominal Size	A	B	D (Duct Dimensions)	Qty. /Box
PADS 0606	6" x 6" (152 mm x 152 mm)	6" (152 mm)	4 - 7/8" (124 mm)	5" (127 mm)	20
PADS 0808	8" x 8" (203 mm x 203 mm)	8" (203 mm)	6 - 7/8" (175 mm)	7" (178 mm)	20
PADS 1010	10" x 10" (254 mm x 254 mm)	10" (254 mm)	8 - 7/8" (226 mm)	9" (229 mm)	20
PADS 1212	12" x 12" (305 mm x 305 mm)	12" (305 mm)	10 - 7/8" (277 mm)	11" (280 mm)	10
PADS 1414	14" x 14" (356 mm x 356 mm)	14" (356 mm)	12 - 7/8" (328 mm)	13" (331 mm)	10
PADS 1616	16" x 16" (406 mm x 406 mm)	16" (406 mm)	14 - 7/8" (378 mm)	15" (381 mm)	10
PADS 1818	18" x 18" (457 mm x 457 mm)	18" (457 mm)	16 - 7/8" (429 mm)	17" (432 mm)	8
PADS 2020	20" x 20" (508 mm x 508 mm)	20" (508 mm)	18 - 7/8" (480 mm)	19" (483 mm)	6
PADS 2222	22" x 22" (559 mm x 559 mm)	22" (559 mm)	20 - 7/8" (531 mm)	21" (534 mm)	5
PADS 2424	24" x 24" (610 mm x 610 mm)	24" (610 mm)	22 - 7/8" (582 mm)	23" (585 mm)	4

Option
<input type="checkbox"/> -N No Flange

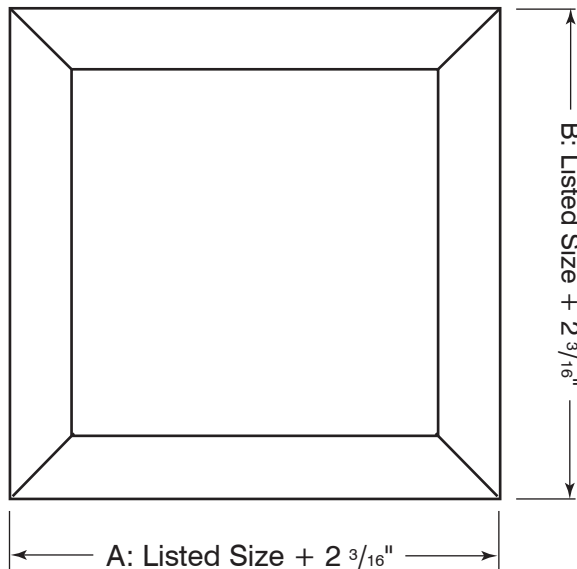
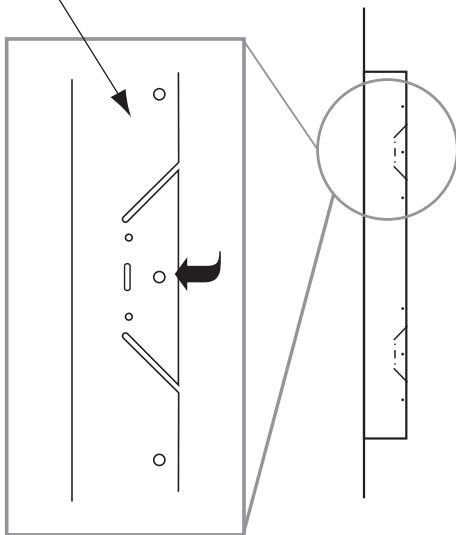
Schedule type: _____
 Job: _____
 Architect: _____
 Engineer: _____
 Contractor: _____

Plaster And Drywall Frame

Material: All aluminium construction.



Practical Feature:
Depress quick-tabs to sandwich drywall



✓	Model #	Face Dim. A x B
	PF 1212	14 1/16" x 14 1/16"
	PF 1224	14 1/16" x 26 3/16"
	PF 2424	26 3/16" x 26 3/16"
	PF 4824	50 1/16" x 26 3/16"

Finish	
<input type="checkbox"/> /w White (default)	<input type="checkbox"/> Custom _____ (please specify)



Schedule type: _____

Job: _____

Architect: _____

Engineer: _____

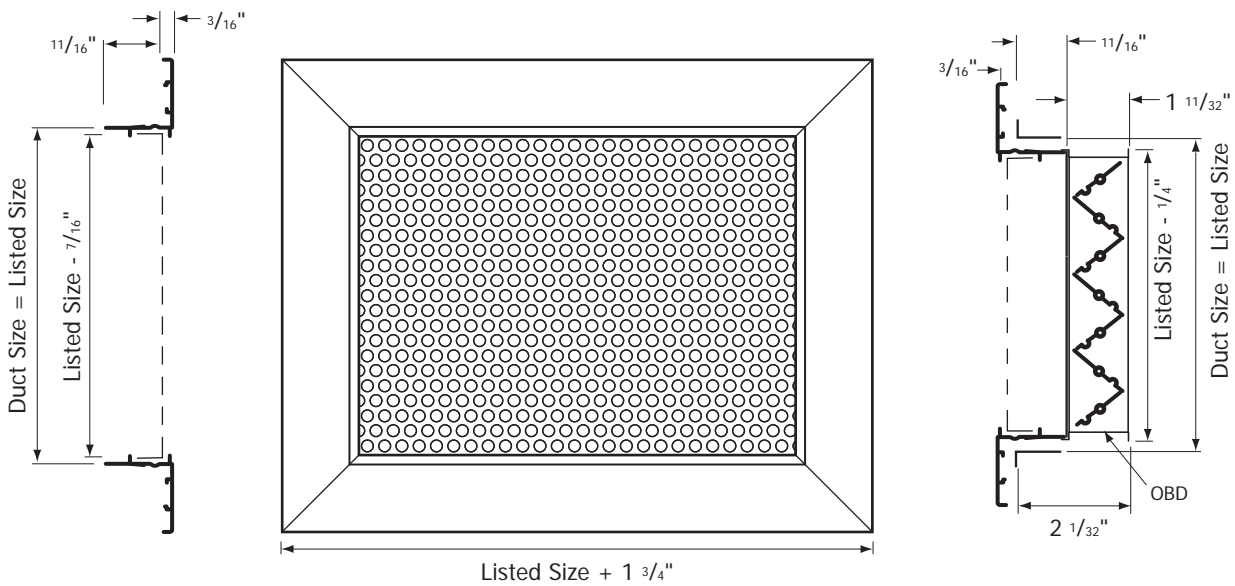
Contractor: _____

Perforated Return Grille

Material: Extruded aluminum frame.
Coated steel perforated face with 3/16" diam. round holes on 1/4" staggered centers, affords 53% free area.

Finish: Powder paint white finish.

Mounting: Drywall mounting. Sidewall or ceiling.



Options		
<input type="checkbox"/> -SF Supplied w/ sub frame	<input type="checkbox"/> -DS Debris (Bird) Screen	<input type="checkbox"/> -IS Insect Screen
<input type="checkbox"/> -GK Flange Gasket	<input type="checkbox"/> -GN Neck Gasket	

Fastening Method		
<input type="checkbox"/> -1 No Fastening 	<input type="checkbox"/> -2 Spring clip 	<input type="checkbox"/> -3 Screw holes (Standard)



Finish				
<input type="checkbox"/> /W White (default)	<input type="checkbox"/> /B Brushed Aluminium	<input type="checkbox"/> /M Mill Finish	<input type="checkbox"/> /L Brushed and Lacquered	<input type="checkbox"/> /Custom (Please Specify) _____

Panel Option for T-bar lay-in Ceiling

	Steel (WxH)		Aluminum (WxH)	
	<input type="checkbox"/> -X1212	<input type="checkbox"/> -X2412	<input type="checkbox"/> -X2424	<input type="checkbox"/> -X4812
	<input type="checkbox"/> -Y1212	<input type="checkbox"/> -Y2412	<input type="checkbox"/> -Y2424	<input type="checkbox"/> -Y4812
	<input type="checkbox"/> -Y1212	<input type="checkbox"/> -Y2412	<input type="checkbox"/> -Y2424	<input type="checkbox"/> -Y4812
	<input type="checkbox"/> -Y4812	<input type="checkbox"/> -Y4824	<input type="checkbox"/> -Y4812	<input type="checkbox"/> -Y4824

No mounting options available

Schedule type: _____

Job: _____

Architect: _____

Engineer: _____

Contractor: _____

Perforated Face Return Diffuser with Molded Fiberglass Back Panel Fixed face

Material: Molded fiberglass back with aluminum foil vapor barrier scored for 6" to 14" D. Steel perforated face with 3/16" diam. holes on 1/4" staggered centers, affords 53% free area.

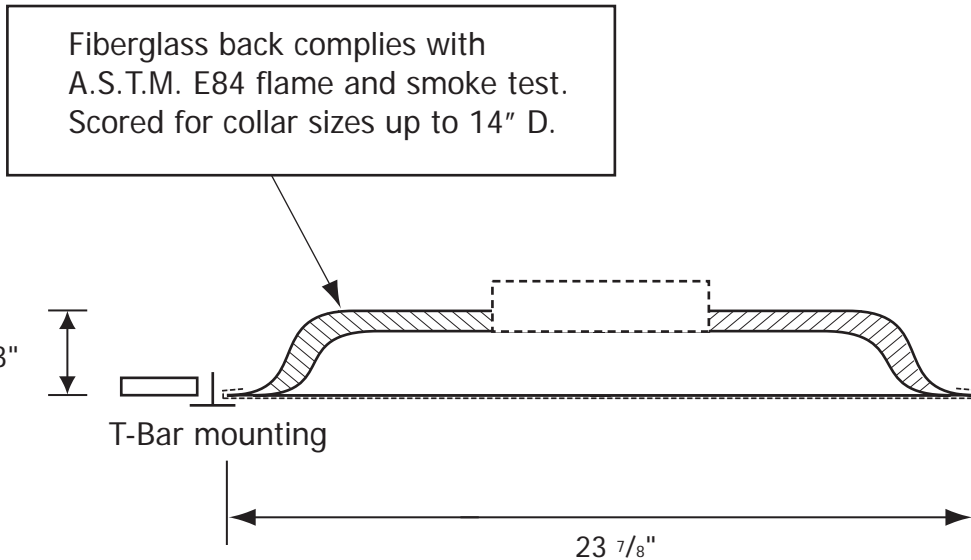
Finish: Powder paint coating - white.

Mounting: Lay-in T-bar ceiling.

Insulation: R6 Molded Fiberglass.


PRI

SUBMITTAL SHEET



Finish	
<input type="checkbox"/> /W White (default)	<input type="checkbox"/> Custom (please specify)



Schedule type: _____
Job: _____
Architect: _____
Engineer: _____
Contractor: _____

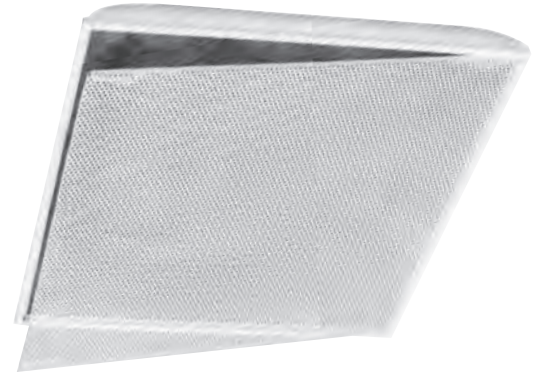
SUBMITTAL SHEET

Perforated Face Filter Return with Molded Fiberglass Back Panel Hinged face

Material: Molded fiberglass back with aluminum foil vapor barrier scored for 6" to 14" D. in an extruded aluminum fixed frame. Steel perforated face with 3/16" diam. holes on 1/4" staggered centers, affords 53% free area and swings in and out of fixed frame.

Finish: Powder paint coating - white.

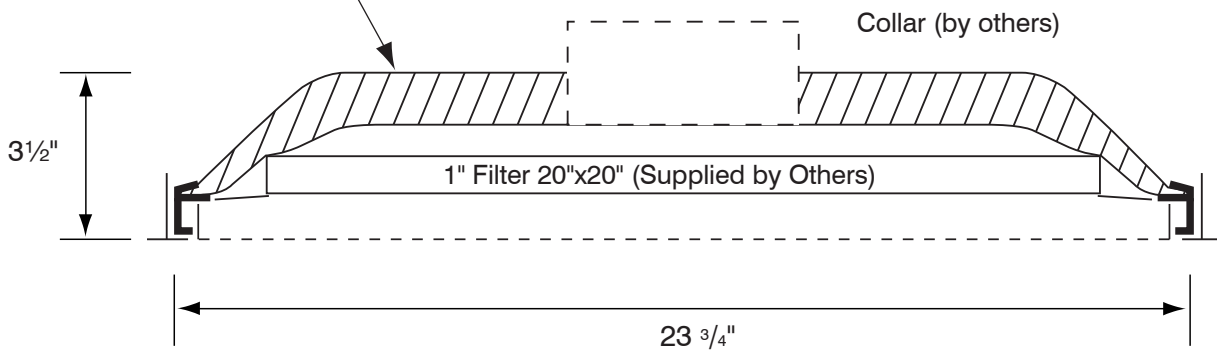
Mounting: T-bar Lay-in ceiling.



PRIF

Fiberglass back complies with A.S.T.M. E84 flame and smoke test. Scored for collar sizes up to 14" D.

R4 R6



Finish	
<input type="checkbox"/> /W White (Default)	<input type="checkbox"/> /C Custom (Please Specify) _____



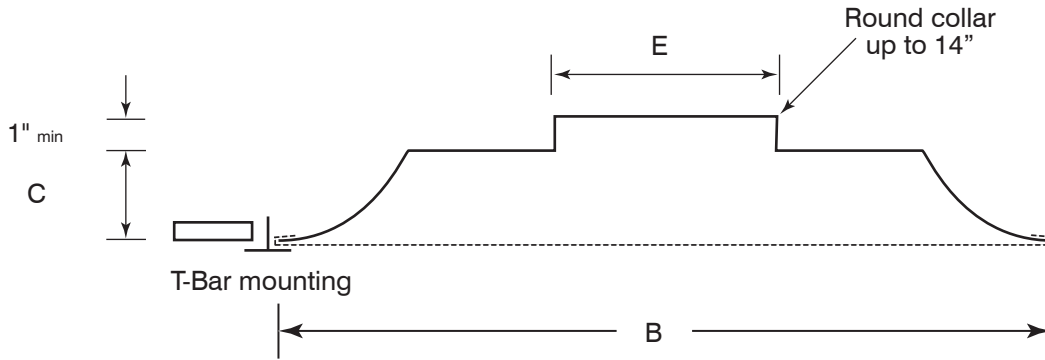
Schedule type: _____
Job: _____
Architect: _____
Engineer: _____
Contractor: _____

Aluminum Ceiling Square Diffuser 3 Cone - Fixed air pattern

Material: Stamped heavy gauge Aluminium.
Finish: Powder paint coating - white.
Mounting: Fixed horizontal 360° diffusion.
 Surface or Lay-in T-bar ceiling.



SUBMITTAL SHEET

ADF3


Optional fiberglass insulation on back panel, complies with A.S.T.M. E84 flame and smoke test. (Available only on models with 24" x 24" face)

 R4

 R6

✓	Model #	Duct Size	E	Face Dim B x B	C
	PRM 2406	6	5 7/8"	23 7/8" x 23 7/8"	2 7/8"
	PRM 2408	8	7 7/8"	23 7/8" x 23 7/8"	2 7/8"
	PRM 2410	10	9 7/8"	23 7/8" x 23 7/8"	2 7/8"
	PRM 2412	12	11 7/8"	23 7/8" x 23 7/8"	2 7/8"
	PRM 2414	14	13 7/8"	23 7/8" x 23 7/8"	2 7/8"
	PRM 1206	6	5 7/8"	11 7/8" x 11 7/8"	1 3/4"
	PRM 1208	8	7 7/8"	11 7/8" x 11 7/8"	1 3/4"

Finish

 /W White (Default)

 /C Custom (Please Specify) _____


Schedule type: _____

Job: _____

Architect: _____

Engineer: _____

Contractor: _____

SUBMITTAL SHEET

Perforated Face Filter Return with Steel Back Panel Hinged face

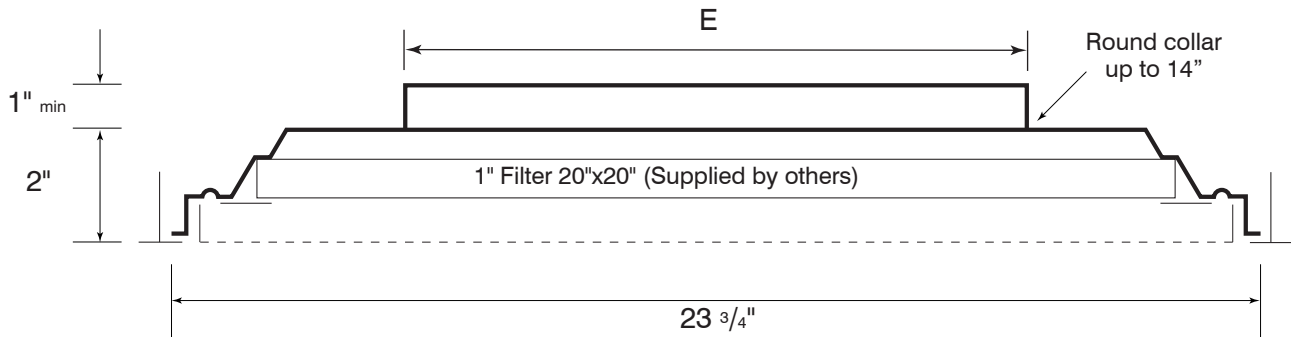
Material: Stamped heavy gauge steel back panel with reinforcing corners. Steel perforated face with 3/16" diam. holes on 1/4" staggered centers, affords 53% free area and swings in and out of fixed frame for access to 20"x20" filter by others.

Finish: Powder paint coating - white.

Mounting: T-bar Lay-in ceiling.



PRMF



✓	Model #	Duct Size	E	Face Dim
	PRMF 2406	6	5 7/8"	23 3/4" x 23 3/4"
	PRMF 2408	8	7 7/8"	23 3/4" x 23 3/4"
	PRMF 2410	10	9 7/8"	23 3/4" x 23 3/4"
	PRMF 2412	12	11 7/8"	23 3/4" x 23 3/4"
	PRMF 2414	14	13 7/8"	23 3/4" x 23 3/4"

Schedule type: _____

Job: _____

Architect: _____

Engineer: _____

Contractor: _____

Perforated Face Return with Steel Back Panel & Directional Louver Deflectors Hinged face

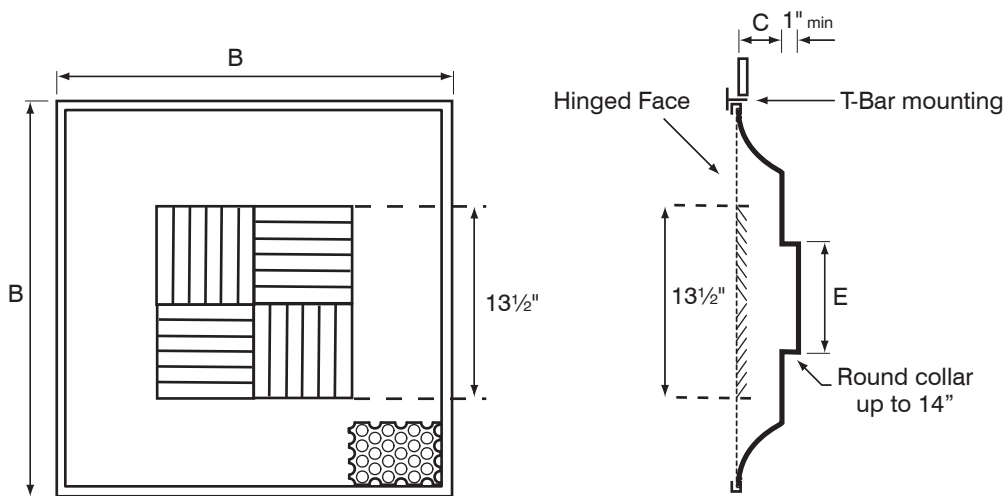
Material: Stamped heavy gauge steel back panel with reinforcing corners. Steel perforated face with 3/16" diam. holes on 1/4" staggered centers, affords 53% free area and swings in and out of fixed frame for access to 20"x20" filter by others.

Finish: Powder paint coating - white.

Mounting: T-bar Lay-in ceiling.


PRMFL

SUBMITTAL SHEET

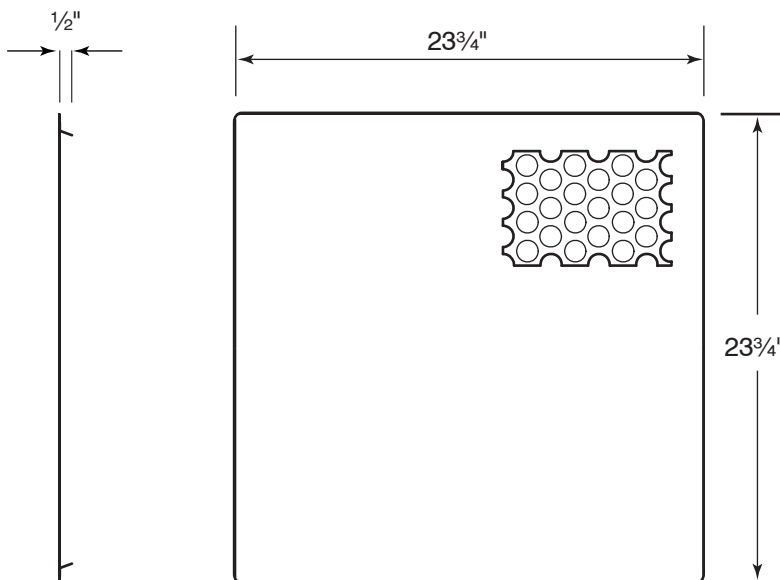


✓	Model #	Duct Size	E	Face Dim
	PRMFL 2406	6	5 7/8"	23 3/4" x 23 3/4"
	PRMFL 2408	8	7 7/8"	23 3/4" x 23 3/4"
	PRMFL 2410	10	9 7/8"	23 3/4" x 23 3/4"
	PRMFL 2412	12	11 7/8"	23 3/4" x 23 3/4"
	PRMFL 2414	14	13 7/8"	23 3/4" x 23 3/4"

Schedule type: _____
Job: _____
Architect: _____
Engineer: _____
Contractor: _____

Ceiling Return Air Diffuser

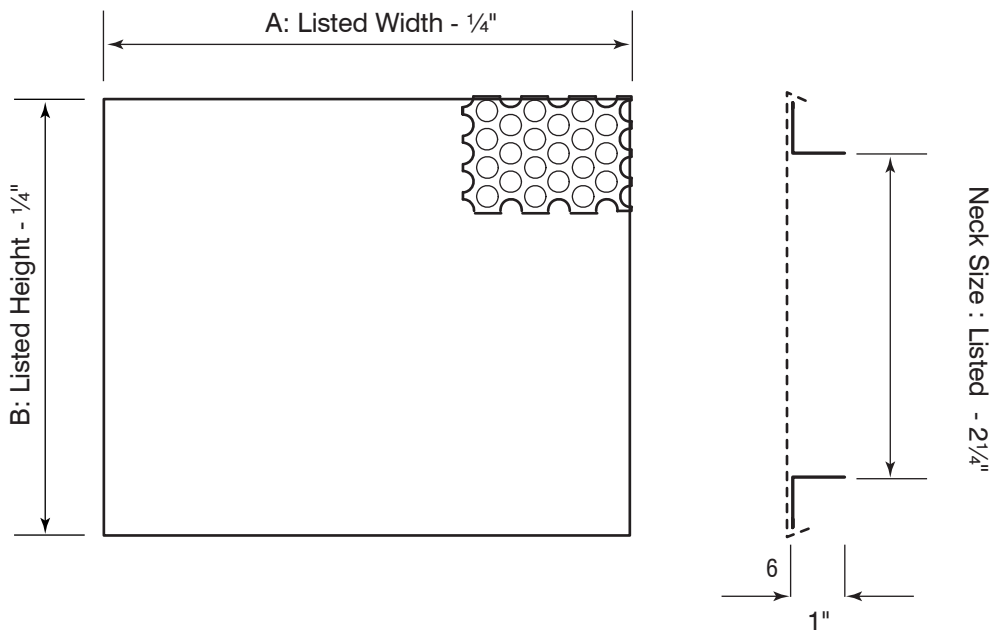
- Material:** Metal face construction
Full face perforated panel with 3/16" holes on 1/4" staggered and 51% open area.
- Finish:** Bake white paint finish.
- Mounting:** Lay-in T-bar ceiling.



Schedule type: _____
Job: _____
Architect: _____
Engineer: _____
Contractor: _____

Ceiling Return Air Diffuser

- Material:** High capacity all steel construction.
Full face perforated panel with 3/16" holes
on 1/4" staggered centres and 51% open area.
- Finish:** Powder paint white finish.
- Mounting:** For surface mounting or T-bar lay-in ceiling grids.



✓	Model #	Face Dim. A x B
	PRT 1212	11 ³ / ₄ " x 11 ³ / ₄ "
	PRT 2412	23 ³ / ₄ " x 11 ³ / ₄ "
	PRT 2424	23 ³ / ₄ " x 23 ³ / ₄ "

Finish		
<input type="checkbox"/> /W White (Default)	<input type="checkbox"/> /M Mill Finish	<input type="checkbox"/> /C Custom _____ (Please Specify)

Schedule type: _____
Job: _____
Architect: _____
Engineer: _____
Contractor: _____

SUBMITTAL SHEET

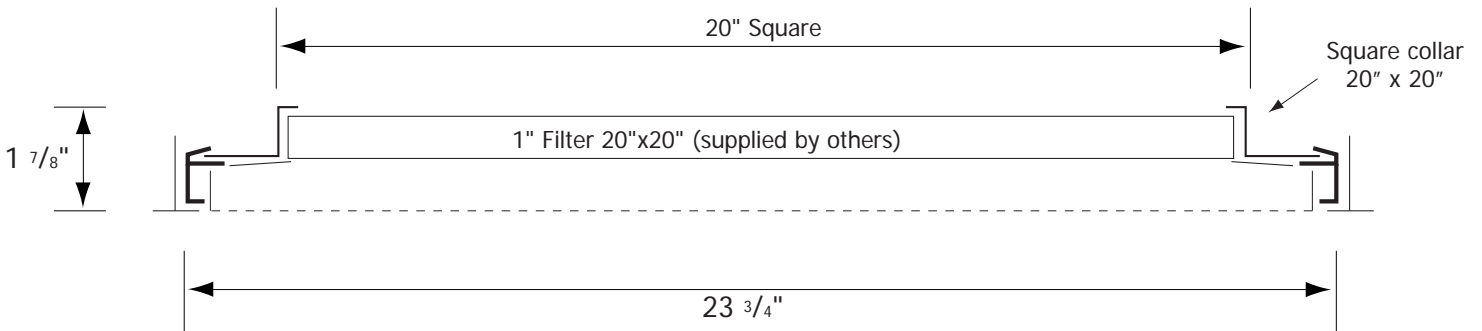
Perforated Face Filter Return with 20" X 20" Filter frame Hinged face

Material: Steel filter frame will accept standard 1" filter. Steel perforated face with 3/16" diam. holes on 1/4" staggered centers, affords 53% free area and swings in and out of fixed frame for access to 20"x20" filter by others.

Finish: Powder paint coating - white.
Mounting: T-bar Lay-in ceiling.



PRTF



Finish	
<input type="checkbox"/> /W	<input type="checkbox"/> /C Custom (Please Specify)
White (Default)	_____



Schedule type: _____
Job: _____
Architect: _____
Engineer: _____
Contractor: _____

Perforated Face Supply Diffuser with Molded Fiberglass Back Panel Fixed face - baffle deflector



PSI

Material: Molded fiberglass back with aluminum foil vapor barrier scored for 6" to 14" D. Steel perforated face with 3/16" diam. holes on 1/4" staggered centers, affords 53% free area.

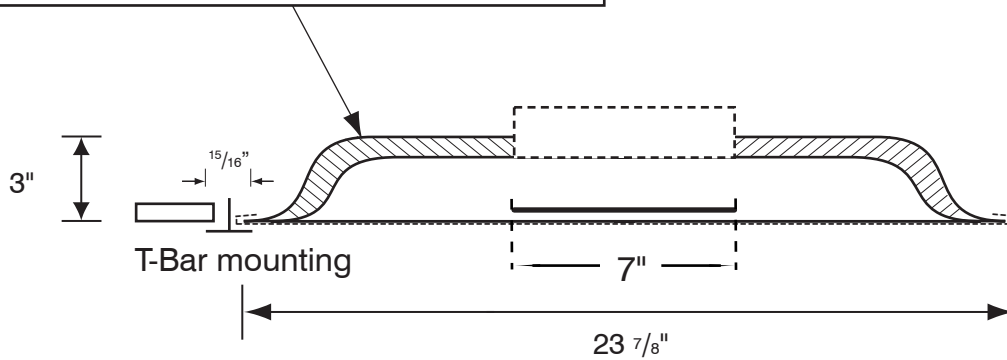
Finish: Powder paint coating - white.

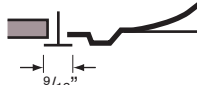
Air pattern: Fixed horizontal 360° diffusion.

Mounting: Lay-in T-bar ceiling.

Insulation: R6 Molded Fiberglass.

Fiberglass back complies with A.S.T.M. E84 flame and smoke test. Scored for collar sizes up to 14" D.



Mounting	
<input type="checkbox"/> -NT	Narrow T-bar
	

Finish	
<input type="checkbox"/> /W	White (Default)
<input type="checkbox"/> /C	Custom (Please Specify)



Schedule type: _____

Job: _____

Architect: _____

Engineer: _____

Contractor: _____

SUBMITTAL SHEET

Perforated Face Supply Diffuser with Molded Fiberglass Back Panel Fixed face - directional louvers deflector



PSIL

Material: Molded fiberglass back with aluminum foil vapor barrier scored for 6" to 14" D. Steel perforated face with 3/16" diam. holes on 1/4" staggered centers, affords 53% free area.

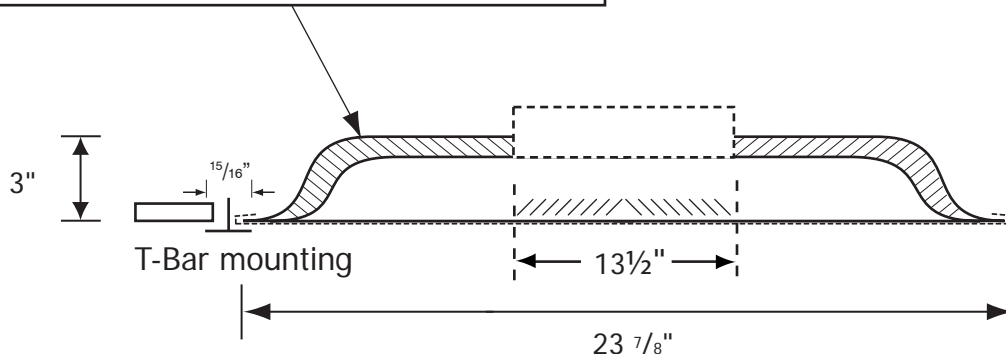
Finish: Powder paint coating - white.

Air pattern: Fixed horizontal 360° diffusion.

Mounting: Lay-in T-bar ceiling .

Insulation: R6 Molded Fiberglass.

Fiberglass back complies with A.S.T.M. E84 flame and smoke test. Scored for collar sizes up to 14" D.



Mounting	
<input type="checkbox"/> -NT	Narrow T-bar

Finish	
<input type="checkbox"/> /W	White (Default)
<input type="checkbox"/> /C	Custom (Please Specify)



Schedule type: _____

Job: _____

Architect: _____

Engineer: _____

Contractor: _____

Perforated Face Supply Diffuser Fixed face - baffle deflector

- Material:** Stamped heavy gauge steel back panel.
Coated steel perforated face with 3/16" diam. round holes on 1/4" staggered centers, affords 53% free area.
- Finish:** Powder paint coating - white.
- Air pattern:** Fixed horizontal 360° diffusion.
- Mounting:** Lay-in T-bar ceiling .

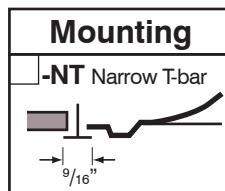
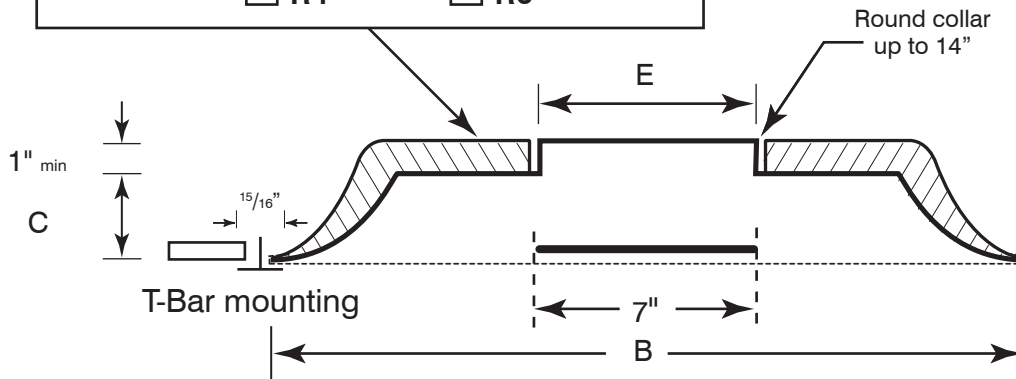


PSM

SUBMITTAL SHEET

Optional fiberglass insulation on back panel, complies with A.S.T.M. E84 flame and smoke test. (Available only on models with 24" x 24" face)

R4 R6



Finish	
<input type="checkbox"/> /W White (Default)	<input type="checkbox"/> /C Custom (Please Specify)



✓	Model #	Duct Size	E	Face Dim B x B	C
	PSM 2406	6	5 7/8"	23 7/8" x 23 7/8"	2 7/8"
	PSM 2408	8	7 7/8"	23 7/8" x 23 7/8"	2 7/8"
	PSM 2410	10	9 7/8"	23 7/8" x 23 7/8"	2 7/8"
	PSM 2412	12	11 7/8"	23 7/8" x 23 7/8"	2 7/8"
	PSM 2414	14	13 7/8"	23 7/8" x 23 7/8"	2 7/8"

Schedule type: _____

Job: _____

Architect: _____

Engineer: _____

Contractor: _____

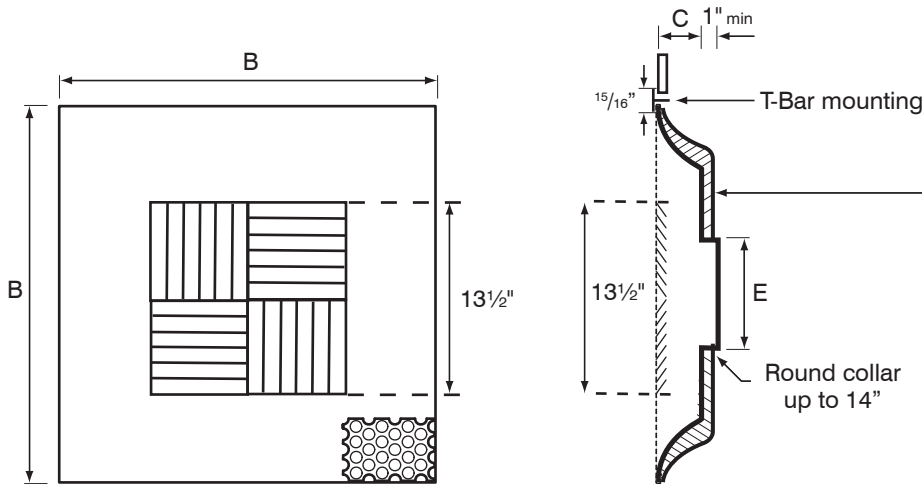
SUBMITTAL SHEET

Perforated Face Supply Diffuser Fixed face - directional louvers deflectors

- Material:** Stamped heavy gauge steel back panel.
Coated steel perforated face with 3/16" diam. round holes on 1/4" staggered centers, affords 53% free area.
- Finish:** Powder paint coating - white.
- Air pattern:** Fixed horizontal 360° diffusion.
- Mounting:** Lay-in T-bar ceiling.

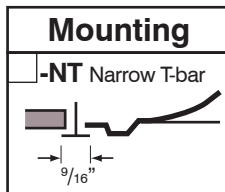


PSML



Optional fiberglass insulation on back panel, complies with A.S.T.M. E84 flame and smoke test. (Available only on models with 24" x 24" face)

R4 R6



Finish	
<input type="checkbox"/> /W White (Default)	<input type="checkbox"/> /C Custom (Please Specify)



✓	Model #	Duct Size	E	Face Dim B x B	C
	PSML 2406	6	5 7/8"	23 7/8" x 23 7/8"	2 7/8"
	PSML 2408	8	7 7/8"	23 7/8" x 23 7/8"	2 7/8"
	PSML 2410	10	9 7/8"	23 7/8" x 23 7/8"	2 7/8"
	PSML 2412	12	11 7/8"	23 7/8" x 23 7/8"	2 7/8"
	PSML 2414	14	13 7/8"	23 7/8" x 23 7/8"	2 7/8"

Schedule type: _____

Job: _____

Architect: _____

Engineer: _____

Contractor: _____

Perforated Ceiling Supply Diffuser with Square Neck Fixed Face - Round Baffle deflector

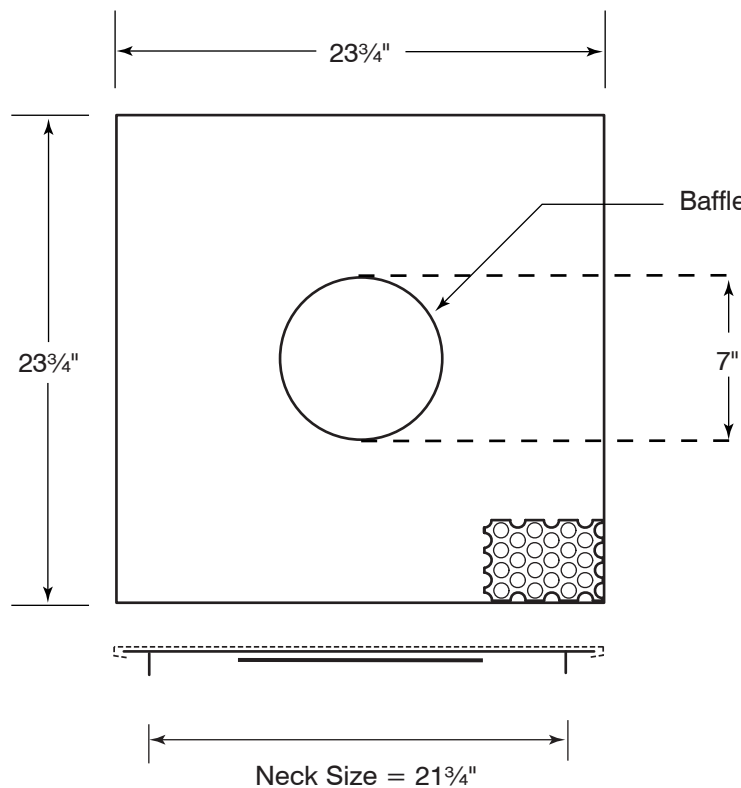
Description: Full face perforated panel with 3/16" holes on 1/4" staggered centers, affords 53% open area. Round baffle.

Material: All steel construction.

Finish: Fixed horizontal 360° diffusion.

Air pattern: Powder paint coating - white.

Mounting: For surface mounting or T-bar lay-in ceiling grids.



Model #	Neck Size	Face Dim.
PST 2424	$21\frac{3}{4}$ "	$23\frac{3}{4}$ " x $23\frac{3}{4}$ "

Finish	
<input type="checkbox"/> /W White (Default)	<input type="checkbox"/> /C Custom (Please Specify)



Schedule type: _____

Job: _____

Architect: _____

Engineer: _____

Contractor: _____

SUBMITTAL SHEET

Perforated Ceiling Supply Diffuser with Square Neck Fixed Face - Louver deflectors

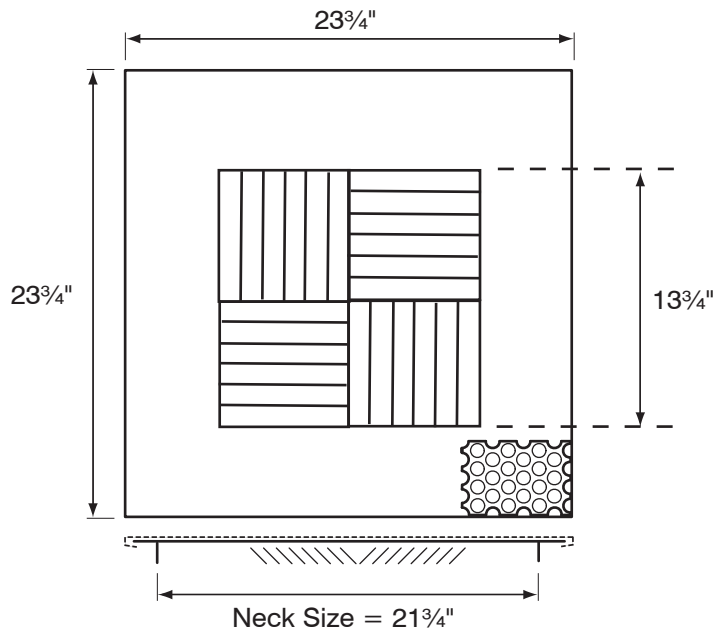
Description: Full face perforated panel with 3/16" holes on 1/4" staggered centers, affords 53% open area. All steel construction.

Material: 4 fixed directional louvers, horizontal 360° diffusion.

Finish:

Air pattern: Powder paint coating - white.

Mounting: For surface mounting or T-bar lay-in ceiling grids.



Model #	Neck Size	Face Dim.
PSTL 2424	21 3/4"	23 3/4" x 23 3/4"

Finish	
<input type="checkbox"/> /W White (Default)	<input type="checkbox"/> /C Custom (Please Specify)



Schedule type: _____

Job: _____

Architect: _____

Engineer: _____

Contractor: _____

High-End Architectural Floor Grilles

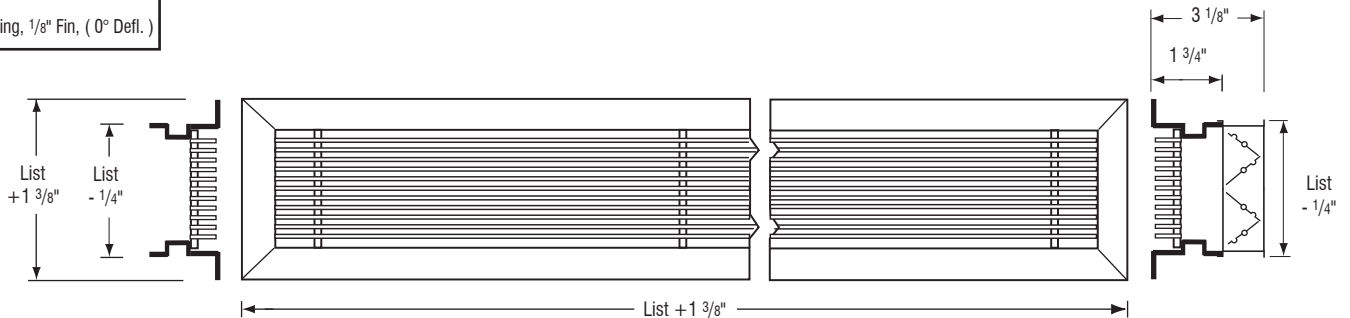
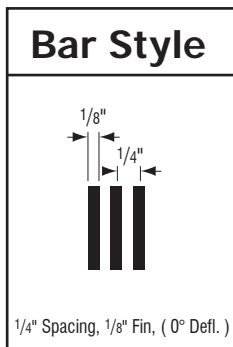
Material: Stamped heavy gauge Aluminium.
Finish: Brushed Aluminum & Powder Coated Lacquer.
Features: Removable Core, Reinforced for Floor.



RAF

Opposed Blade Damper (optional):
 Galvanized steel construction
 Key-operated

Other Styles Available: Order using ALB model and switch options
 Equivalent RAF = ALB10-F-1-RM-RF xx xx /L
 Equivalent RAF7 = ALB17-F-1-RM-RF xx xx /L



RAF Residential Architectural Floor Grille

RAF7 Residential Architectural Floor Register with N7 OBD

✓	Model #	List/Duct Size
	*RAF 0210	2.25" x 10"
	*RAF 0212	2.25" x 12"
	RAF 0310	3" x 10"
	RAF 0312	3" x 12"
	RAF 0408	4" x 8"
	RAF 0410	4" x 10"
	RAF 0412	4" x 12"
	RAF 0414	4" x 14"
	RAF 0612	6" x 12"
	RAF 0614	6" x 14"

✓	Model #	List/Duct Size
	*RAF7 0210	2.25" x 10"
	*RAF7 0212	2.25" x 12"
	RAF7 0310	3" x 10"
	RAF7 0312	3" x 12"
	RAF7 0408	4" x 8"
	RAF7 0410	4" x 10"
	RAF7 0412	4" x 12"
	RAF7 0414	4" x 14"
	RAF7 0612	6" x 12"
	RAF7 0614	6" x 14"

Finish	
<input type="checkbox"/> /W White (Default)	<input type="checkbox"/> /C Custom (Please Specify)



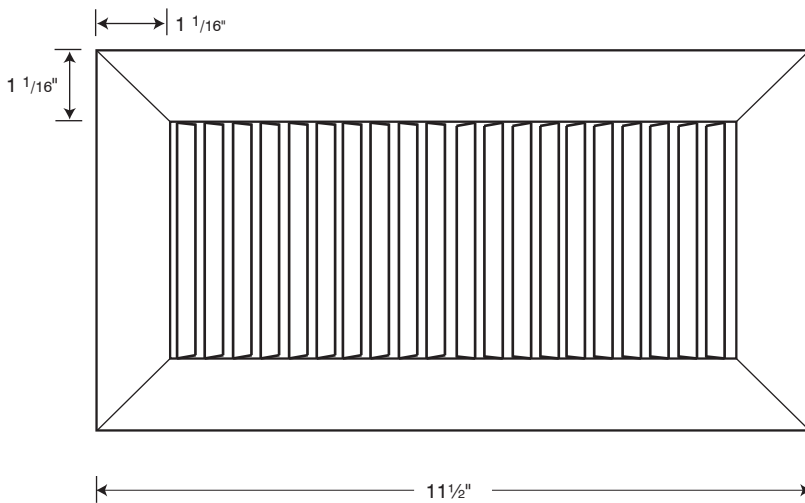
Schedule type: _____
 Job: _____
 Architect: _____
 Engineer: _____
 Contractor: _____

High-End Residential Floor Grilles

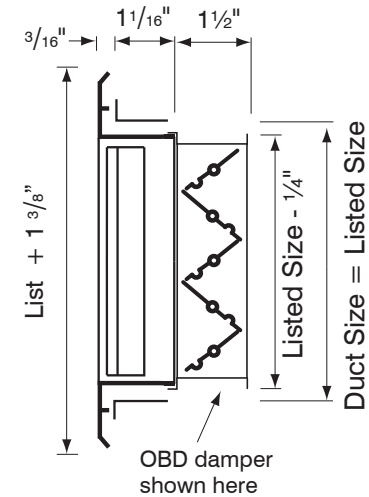
Material: Stamped heavy gauge Aluminium.
Finish: Various finishes available - See Finish Chart.
 Anodized finish is standard.
Air Pattern: 5 way pattern (-30°, -15°, 0, 15°, 30°)



REAL
Residential Floor Grille



REAL Residential Floor Bar Grille



REAL Residential Floor Bar Grille

REAL7 Residential Floor Bar Register with opposed blade damper

✓	Model #	Neck Size	✓	Model #	Neck Size
	REAL 0310	3 x 10		REAL7 0310	3 x 10
	REAL 0408	4 x 8		REAL7 0408	4 x 8
	REAL 0410	4 x 10		REAL7 0410	4 x 10
	REAL 0412	4 x 12		REAL7 0412	4 x 12
	REAL 0414	4 x 14		REAL7 0414	4 x 14
	REAL 0612	6 x 12		REAL7 0612	6 x 12
	REAL 0614	6 x 14		REAL7 0614	6 x 14



Finish		
<input type="checkbox"/> /A Anodized (Default)	<input type="checkbox"/> /M Mill Finish	<input type="checkbox"/> /C Custom (Please Specify)

Schedule Type: _____

Project: _____

Architect: _____

Engineer: _____

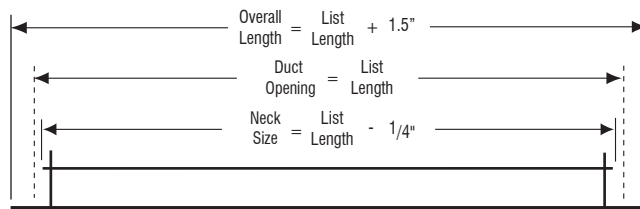
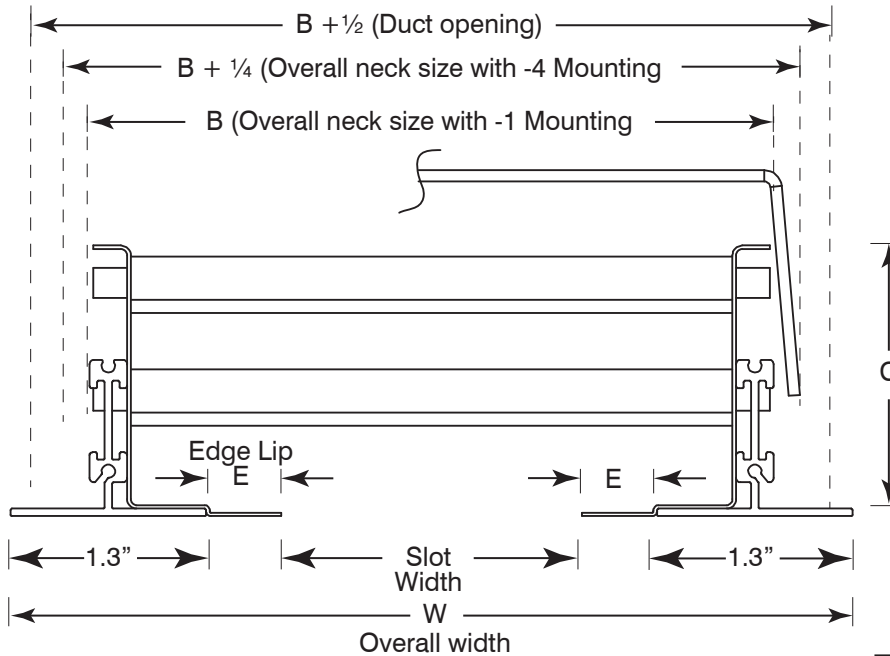
Contractor: _____

Residential LineAirFlow Diffuser - 1 Slot

Material: Extruded aluminum construction.
Mounting: Surface or Lay-in T-bar ceiling.
 Plaster-in Frame (Tape & Spackle)



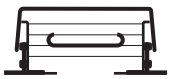
RFB10 / RFB17 / RFB18
 (ALF17 shown here)



Mounting	
<input type="checkbox"/> -P Plaster-In Frame 	<input type="checkbox"/> -E Surface Mounting
Fastening Method	
<input type="checkbox"/> -1 No Fastening 	<input type="checkbox"/> -4 Concealed



RFB10
 without pattern-control damper



RFB17
 with high-flow slider



RFB18
 with jet-flow baffles

Finish	
<input type="checkbox"/> /W White (Default)	<input type="checkbox"/> /C Custom (Please Specify)

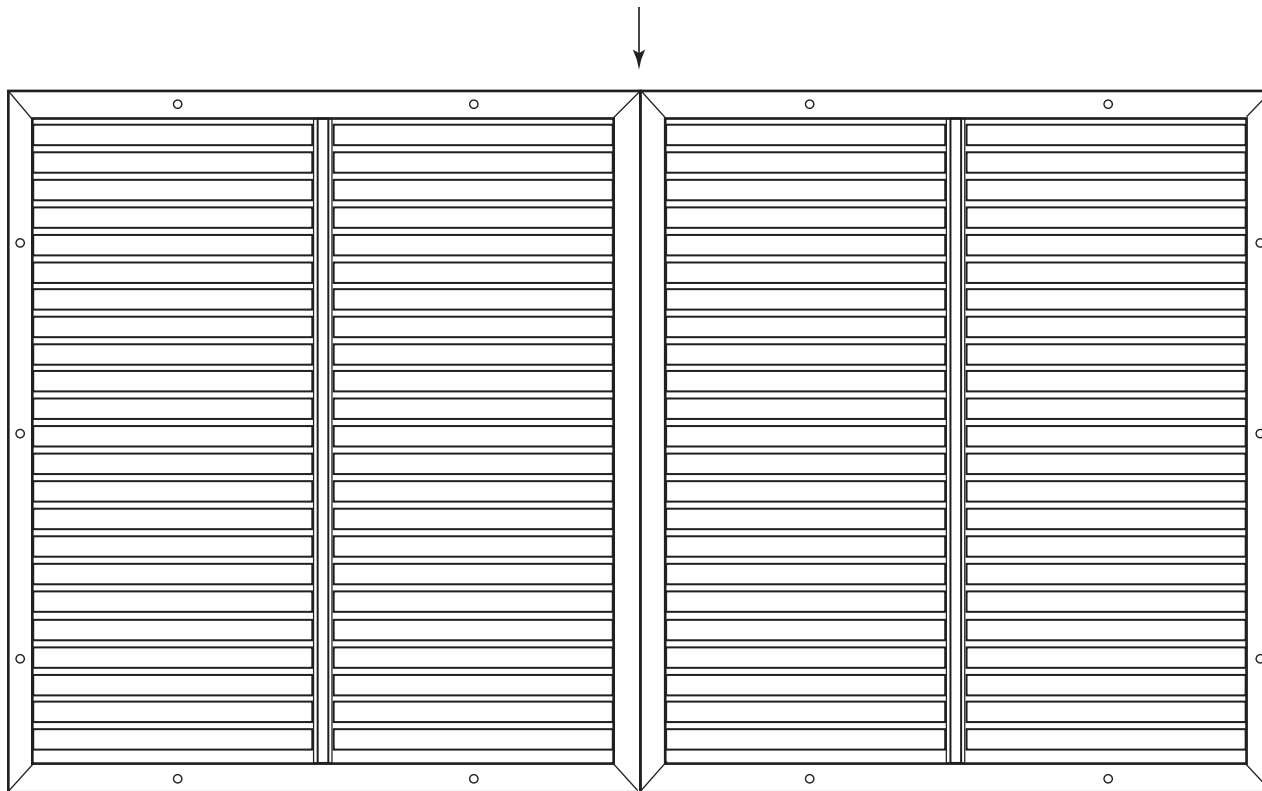


✓	Slot Width	B	W	C	E
	1	2.55"	3.6"	1.5"	0"
	1.5	3.55"	4.6"	1.5"	0.25"
	2	4.55"	5.6"	1.75"	0.5"
	2.5	5.55"	6.6"	1.75"	0.75"
	3	6.55"	7.6"	1.75"	1"

Schedule type: _____
Job: _____
Architect: _____
Engineer: _____
Contractor: _____

Large Grilles in Multiple Sections

No screw holes on interior joined frames by default
Screw holes can be added if clearly specified on order



Support required for proper installation by others
Not provided by Airvector

Notes

- Maximum section size: 46" x 36" (neck)
- Maximum width without mullion: 18"
- Larger grilles can be made in one piece, extra manufacturing and shipping charges apply

SQUARE DIFFUSERS



MODELS ADF3, ADF3D & ADF3I 3 CONE ALUMINUM DIFFUSERS

- MODEL **ADF3** - Fixed horizontal pattern
- MODEL **ADF3D** - Fixed horizontal pattern, 2" high collar
- MODEL **ADF3I** - Fixed horizontal pattern, Insulated

Airvector's 3 Cone Aluminum Supply Diffusers are recommended for heating, ventilating, and cooling. The diffusers' integrated round-neck-to-square-face construction provides a 360° horizontal air diffusion pattern similar to a full round diffuser. The ADF3I is supplied with R6 insulation and does not include an integrated collar. R4 and R6 are optional for ADF3 and ADF3D.

High diffusion induction rates result in rapid temperature and velocity equalization of the mixed air mass well above the zone of occupancy. Horizontal performance assures confident use of a cooling temperature differential of 30° and greater at a predicted low air motion of 35 fpm in the zone of occupancy. ADF3 supply diffusers perform efficiently with air loadings of 6 to 30 air changes per hour (based on a 10 ft. ceiling height), and a sound level range of NC 25 to 35.

Highlights

- Heavy-gauge all-aluminum construction
- Powder paint coating - White (Custom Finishes Avail.)
- Matching N4 and N5 OBDs available
- OBD accessible through diffuser face

Listed Size	Neck Dia	Nominal Face Size	Overall Face Size "B"	Drywall Ceiling Opening
1206*	6	12 x 12	11 ³ / ₄ x 11 ³ / ₄	10 ¹ / ₂ x 10 ¹ / ₂
1208*	8	12 x 12	11 ³ / ₄ x 11 ³ / ₄	10 ¹ / ₂ x 10 ¹ / ₂
2406	6	24 x 24	23 ³ / ₄ x 23 ³ / ₄	22 ¹ / ₂ x 22 ¹ / ₂
2408	8	24 x 24	23 ³ / ₄ x 23 ³ / ₄	22 ¹ / ₂ x 22 ¹ / ₂
2410	10	24 x 24	23 ³ / ₄ x 23 ³ / ₄	22 ¹ / ₂ x 22 ¹ / ₂
2412	12	24 x 24	23 ³ / ₄ x 23 ³ / ₄	22 ¹ / ₂ x 22 ¹ / ₂
2414*	14	24 x 24	23 ³ / ₄ x 23 ³ / ₄	22 ¹ / ₂ x 22 ¹ / ₂

* Only available with ADF3

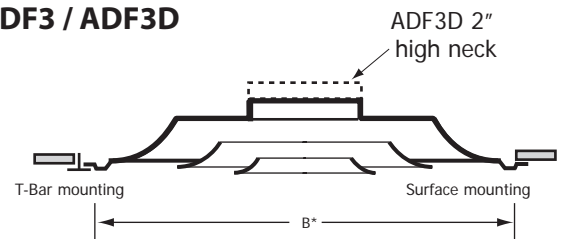


ADF3

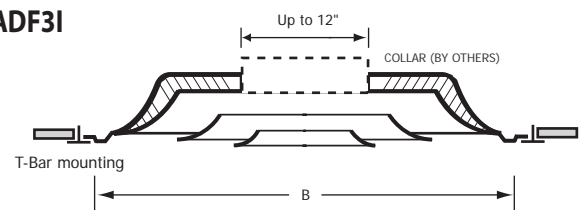
HANDY FEATURES

- One standard model suits both T-Bar and Drywall installations using rigid ducts
- Compatible with Airvector's exclusive Easy Install PF frame
- Core is easily removable without tools to facilitate access to duct.

ADF3 / ADF3D



ADF3I



ENGINEERING PERFORMANCE DATA

MODELS ADF3, ADF3D & ADF3I

3 CONE



AIRVECTOR®

12" x 12" face

SIZE (inches)	Neck Velocity (fpm)	400	500	600	700	800	1000	1200	1400	1600
	Velocity Pressure (in H ₂ O)	.010	.016	.022	.031	.041	.062	.090	.122	.160
6	CFM	78	98	118	137	157	196	235	274	313
	Total Pressure	.02	.03	.04	.06	.07	.10	.16	.22	.29
	NC	< 20	< 20	< 20	< 20	< 20	25	29	34	40
	Throw (ft)	2-3-6	3-4-7	4-5-9	4-5-10	5-6-11	6-8-12	7-9-13	8-10-15	9-11-16
8	CFM	140	175	209	244	279	349	419	489	559
	Total Pressure	.03	.04	.06	.07	.09	.14	.20	.28	.38
	NC	< 20	< 20	< 20	< 20	< 20	29	35	41	45
	Throw (ft)	2-4-7	3-5-9	4-7-10	5-8-11	6-9-12	7-10-14	8-12-17	10-12-18	11-14-20

24" x 24" face

SIZE (inches)	Neck Velocity (fpm)	400	500	600	700	800	1000	1200	1400	1600
	Velocity Pressure (in H ₂ O)	.010	.016	.022	.031	.041	.062	.090	.122	.160
6	CFM	78	98	118	137	157	196	235	274	313
	Total Pressure	.02	.03	.04	.05	.07	.10	.14	.19	.24
	NC	< 20	< 20	< 20	< 20	< 20	22	28	32	36
	Throw (ft)	1-2-4	1-3-4	2-3-5	2-3-6	3-4-7	4-6-8	5-7-10	6-9-11	7-9-12
8	CFM	140	175	209	244	279	349	419	489	559
	Total Pressure	.02	.03	.04	.05	.08	.10	.15	.20	.25
	NC	< 20	< 20	< 20	< 20	< 20	26	31	36	41
	Throw (ft)	2-3-5	2-3-7	3-4-8	3-5-8	4-6-9	5-7-11	6-9-13	7-10-14	8-11-17
10	CFM	218	273	327	382	436	545	654	763	872
	Total Pressure	.02	.03	.04	.05	.08	.12	.17	.24	.30
	NC	< 20	< 20	< 20	< 20	22	29	34	38	43
	Throw (ft)	3-4-6	4-5-8	4-6-10	5-7-12	6-8-14	7-9-15	8-11-16	9-12-17	10-13-19
12	CFM	314	393	471	550	628	785	941	1099	1246
	Total Pressure	.02	.04	.05	.07	.09	.14	.20	.27	.36
	NC	< 20	< 20	< 20	20	23	39	36	41	46
	Throw (ft)	4-5-9	5-6-10	6-7-11	6-8-13	7-9-15	8-11-18	10-13-21	12-16-22	13-18-21
14	CFM	492	615	738	861	984	1230	1476	1722	1968
	Total Pressure	.03	.04	.06	.08	.10	.18	.23	.30	.40
	NC	< 20	< 20	< 20	21	25	33	38	43	48
	Throw (ft)	4-6-10	5-6-11	6-8-14	7-10-16	8-11-18	10-14-20	12-16-22	14-19-24	15-20-26

NC Value based on 10 db room attenuation.

Throw Values are based on isothermal air and terminal velocities of 150 fpm, 100 fpm & 75 fpm respectively.

Total Pressure the sum of static pressure plus velocity pressure and is given in inches w.g.

HOW TO ORDER ADF3 & ADF4 SERIES

ADF3-R4-W3 2408 /W

MODEL SERIES

- 3 Cone Alum Fixed **ADF3**
- 3 Cone Alum Fixed, ... 2" Neck **ADF3D**
- 4 Cone Alum Fixed **ADF4**
- 4 Cone Alum Fixed, ... 2" Neck **ADF4D**

INSULATION (OPTIONAL)

- Default is uninsulated
- R4.2 Taped Insulation **-R4**
- R6 Taped Insulation **-R6**

DIRECTION (OPTIONAL)

- Default is 4 Way
- 1 Way **-W1**
- 2 Way Corner **-WC**
- 2 Way Opposed **-WO**
- 3 Way **-W3**

FINISH (OPTIONAL)
Default is White (/W)
See chart for more

NECK DIAMETER
In Inches
06-08-10-12-14"

FACE DIMENSIONS
12" x 12" **12**
24" x 24" **24**

HOW TO ORDER ADF3I & ADF4I

ADF3I /W

MODEL SERIES

- 3 Cone Alum **ADF3I**
- 4 Cone Alum **ADF4I**

FINISH (OPTIONAL)
Default is White (/W)
See chart for more

LINEAR BAR GRILLES



ALB SERIES Architectural Linear Bar Grilles

For Ceiling, Sidewall, Sill, and Floor Installation

Series ALB (Architectural Linear Bar) Grilles are designed for installation in the sidewall, sill, floor, and ceiling, and are recommended for supplying heated, ventilated, or cooled air, and for returning or exhausting room air. Their reliable performance assures confident use of cooling temperature differentials up to 25°F at predicted low air motion of 35 fpm in the zone of occupancy. Series ALB Grilles perform efficiently with air loadings of 1 to 2¹/₂ CFM per sq.ft. and a sound level range of NC 25 to 35.

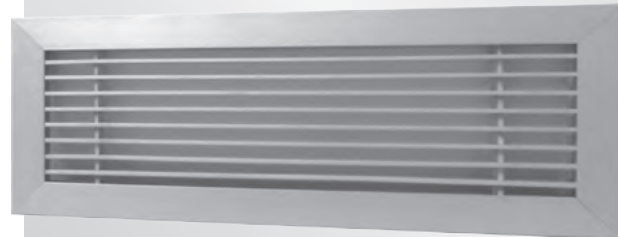
When installed in the sidewall near the ceiling, Series ALB Grilles provide a horizontal pattern above the occupied zone. Core deflections of 15° or 30° direct the air path upward to overcome the drop effect resulting from cool primary air. Use of the deflected cores also improves sight-tightness of the grille face.

When installed in the top of a sill or enclosure, Series ALB Grilles provide a vertical up pattern which is effective in overcoming uncomfortable cold downdrafts and offsetting the radiant effect of glass surfaces. Core deflections of 0°, 15°, and 30° directed toward the glass surface provide upward airflow to the ceiling toward the interior zone.

When installed in the ceiling, Series ALB Grilles provide a vertical downward air pattern which is effective in projection heating and cooling the building perimeter from ceiling heights above 12-15 ft. Application of downflow primary air should be limited in volume to insure against excessive drafts at the end of the throw. Core deflections of 0°, 15°, and 30° direct the air path angularly downward as required.

For floor installations, grilles are specially reinforced. Maximum listed width is 6" for constant traffic areas and areas where heavy loads such as copiers or other equipment may be rolled across grilles. In no case should equipment be "parked" on grilles. For occasional traffic areas, maximum listed width is 8". Maximum listed length is 60".

Series ALB Grilles are fabricated of high-quality aluminum extrusions. Components are mechanically interlocked for a blemish-free appearance. Key-ways and splice plates facilitate hair-line butting of 5 ft. sections to form continuous lengths. Opposable Blade Volume dampers are integrally fastened to Series ALB Grilles. Adjustable Air Equalizing Grids provide spread pattern deflection to shorten the throw. Friction spring fasteners on margins hold grilles to duct collar in sill installations. Mitered corner sections are furnished in one piece.



ALB10

FEATURES

- Six bar styles including Pencil Proof
- 0°, 15°, 30° bar deflections
- Friction margin spring fasteners to hold grilles to duct collars for sill installations
- Extruded Aluminum construction: Mechanical assembly
- Butts available in continuous lengths with key-way splices. Factory cut or field cut lengths for precise installation
- White color default. Available in Black colour, Silver aluminium colour, Brushed & lacquered finish, Mill finish, Primer, Satin Anodized finish. Custom colors and finishes available on request.

Accessories/Options

- Opposable Blade Damper
- Air Equalizing Grid (min. width 4")
- Removable core
- Reinforced floor application (max. width 8")
- Mitered corner sections furnished as one piece

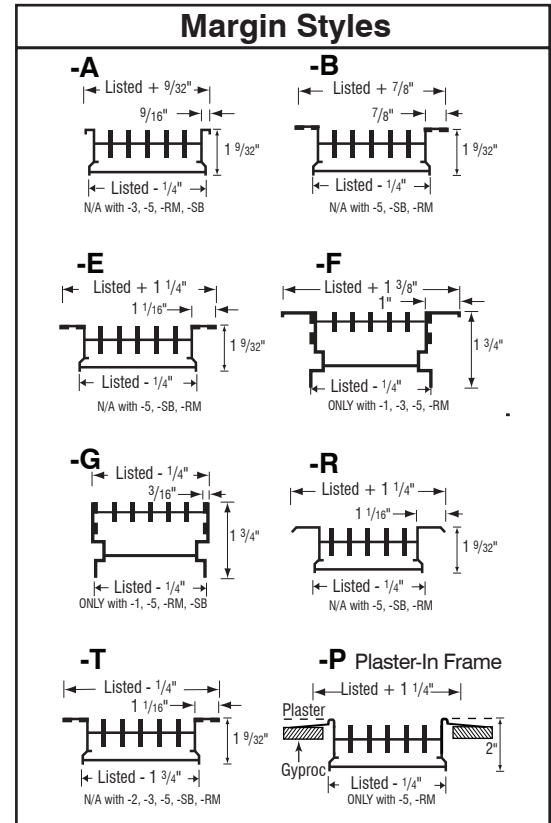
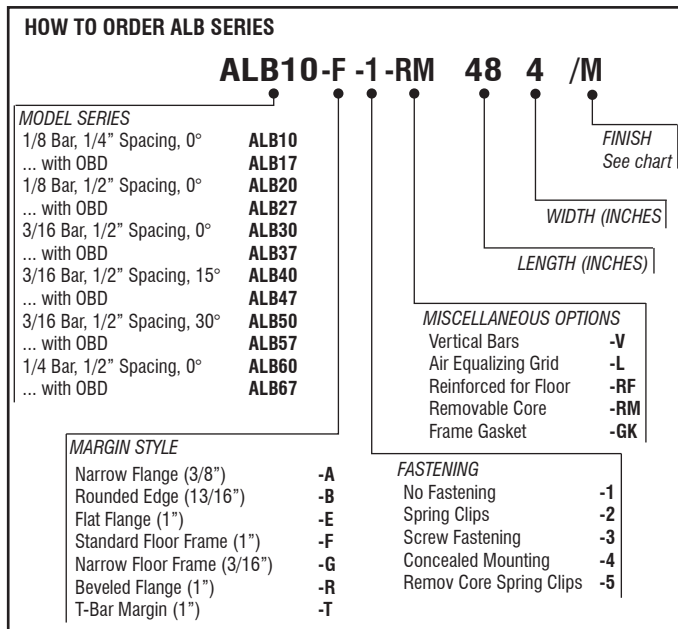
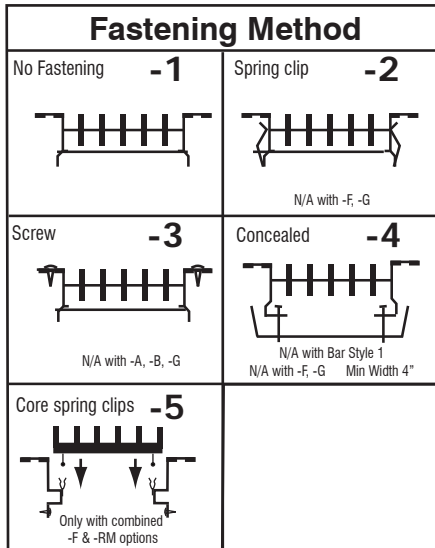
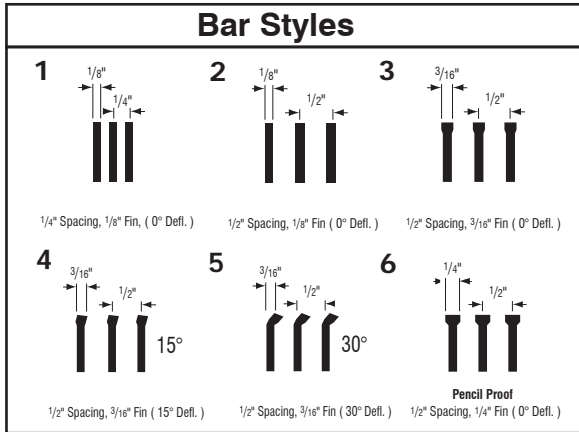


Mitered Corner

ARCHITECTURAL STYLES



ALB SERIES



- L** Air Equalizing Grid (Minimum 4" wide)
- RF** Reinforced Floor Application (Up to 8" wide for occasional traffic)
- RM** Removable Core Application Only w/ -F, -G
- GK** Frame Gasket

LISTED SIZES AVAILABLE

Min. (no OBD) LxW	Min. with OBD LxW	Max. LxW
6" x 1 1/2"	6" x 3"	60" x 16"

1/8 inch fractional increments in length
 1/2 inch fractional increments in width (no OBD)
 1 inch increments in width with OBD

Sizes longer than maximum will be furnished in multiple sections for field butting

All dimensions in inches.
 6" maximum width for constant traffic. 8" maximum width for occasional traffic.
 Series ALB products include a 1/32" tolerance for thermal expansion based on a +40°F temperature differential.
 For every +20°F differential above +40°F, reduce required listed length by 1/64" per 5 feet of length.

ENGINEERING PERFORMANCE DATA

ALB SERIES



NOTES:

- a. Table 1 based on 4 ft. grille length. For longer lengths, correct throw and NC per Table 2.
- b. When using continuous grille lengths with alternate active and inactive sections, a reduction in throw can be obtained by omitting the factors contained in table 2.
- c. Bar style 1: Increase Table 1 NC + 5 NC.
- d. Supply air temperature effect on horizontal throw is shown in table 3. Vertical down-throw at varying supply temperatures is shown in Table 4.

- e. When spreading the air path with horizontal deflection of 22° per side in grille lengths up to 4 ft.:

Multiply Table 1 Throw x .75
 Increase Table 1 NC x 5 NC
 Multiply Table 1 P_S x 1.20
 Multiply Table 5 A_K x .90

- f. Terminal velocities (V_T) at the minimum and maximum Throw (T) values are rated at 125 FPM and 75 FPM respectively with corresponding room velocities (V_R) of 50 fpm and 35 FPM.

TABLE 2 CONTINUOUS GRILLE LENGTH FACTORS

Grille Length	Throw (T)		NC
	Sidewall Min.-Max.	Sill Min.-Max.	
	No Change		
4' - 6'	No Change		+ 0
7' - 20'	T x 1.10		+ 5
21' - 100'	T x 1.15		+ 10

TABLE 3 SUPPLY AIR TEMPERATURE FACTORS

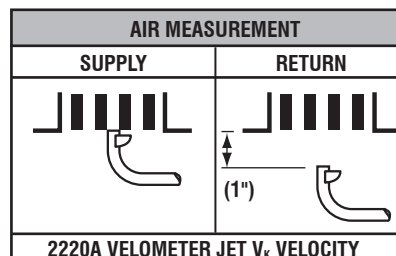
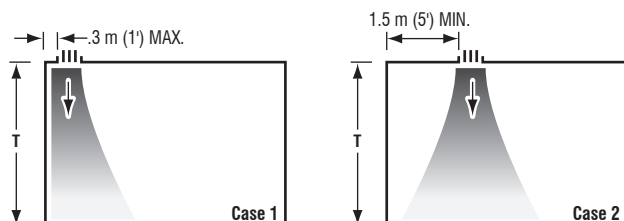
	Multiply Throw in Table 1 (or factor in Table 2 if used) by listed value.		
	@-29°C ΔT	@-18°C ΔT	@-4°C ΔT
	Sidewall Sill	@-20°F ΔT T x 1.10	@ 0°F ΔT T x 1.11

TABLE 4 VERTICAL DOWN-THROW and Supply Air Temperature Supply Factors

	Multiply Throw-Sidewall in Table 1 (or factor in Table 2 if used) by listed value.		
	@ -29°C ΔT	@ -18°F ΔT	@ -4°C ΔT
	@ -20°F ΔT	@ 0°F ΔT	@ +25°F ΔT
	Cooling	Ventilating	Heating
Case 1	T x 1.10	T x .90	T x .60
Case 2	T x .70	T x .60	T x .40

TABLE 5 SUPPLY GRILLES AREAS Per Ft. of Length

		Listed Width in inches																
A _N		1.5"	2"	2.5"	3"	4"	5"	6"	8"	10"	12"	14"	16"	18"	20"	24"	30"	36"
				.13	.17	.21	.25	.33	.42	.50	.67	.84	1.0	1.2	1.3	1.5	1.7	2.0
A _K		.04	.06	.09	.11	.16	.20	.25	.35	.45	.55	.68	.79	.90	1.0	1.3	1.6	2.1
A _K		.03	.05	.08	.09	.14	.17	.21	.30	.38	.47	.58	.67	.77	.85	1.1	1.4	1.8



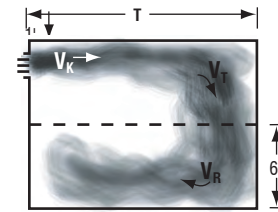
ENGINEERING PERFORMANCE DATA

ALB SERIES

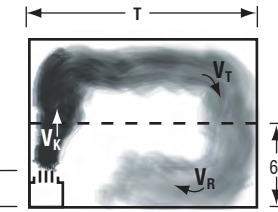


TABLE 1 SUPPLY AIR

CFM per Foot	Listed Width in Inches	Min. P _s in H ₂ O		Outlet Velocity (V _k) FPM		Throw (T) in Feet		Minimum Ceiling Height in Feet		NC
		Bar Style		Bar Style		Sidewall	Sill	@-18°F ΔT	@-25°F ΔT	
		2 & 3 & 4 & 5	1 & 6	2 & 3 & 4 & 5	1 & 6	Min.-Max.	Min.-Max.			
20	1 1/2	.01	.01	500	575	6-9	1-2	8	9	<20
30	1 1/2	.03	.04	750	865	7-10	2-3	9	10	25
	2	.01	.01	475	545	6-9	1-2			
40	1 1/2	.05	.07	1000	1150	9-13	3-5	9	11	30
	2	.02	.03	635	730	8-11	2-4			
	2 1/2	.01	.01	460	530	7-10	2-3			
50	1 1/2	.09	.12	1250	1440	11-16	4-9	9 1/2	11	30
	2	.03	.04	790	910	10-14	3-7			
	2 1/2	.02	.03	575	660	9-13	2-6			
	3	<.01	.01	440	505	8-12	2-5			
60	2	.05	.07	950	1090	12-18	5-11	9 1/2	12	30
	2 1/2	.02	.03	690	795	11-16	4-9			
	3	.01	.01	530	610	10-14	3-7			
	4	<.01	.01	370	425	8-12	2-5			
70	2	.06	.08	1100	1275	14-20	7-13	10	12	30
	2 1/2	.03	.04	810	935	13-19	6-12			
	3	.02	.03	660	760	11-16	4-9			
	4	<.01	.01	435	500	10-14	3-7			
80	2	.08	.10	1275	1450	16-23	9-16	10 1/2	12 1/2	30
	2 1/2	.04	.05	920	1060	15-21	8-14			
	3	.03	.04	700	805	13-18	6-11			
	4	.01	.01	495	570	11-16	4-9			
90	2 1/2	.05	.07	1030	1185	17-24	10-17	11	13	30
	3	.04	.05	785	905	15-21	8-14			
	4	.01	.02	550	635	13-18	6-11			
	5	<.01	.01	450	520	11-16	4-9			
		2 1/2	.06	.08	1150	1325	19-27			
100	3	.04	.05	875	1010	16-23	9-16	11	13	30
	4	.02	.03	620	715	14-20	7-13			
	5	.01	.01	500	575	12-18	5-11			
		3	.06	.08	1050	1210	19-28			
120	4	.03	.04	745	855	17-24	9-16	11 1/2	13	30
	5	.02	.03	600	680	15-22	7-14			
	6	<.01	.01	480	550	13-19	5-11			
		3	.08	.11	1220	1410	22-32			
140	4	.04	.05	870	1000	19-28	11-20	11 1/2	14	30
	5	.02	.03	700	810	17-25	9-17			
	6	.01	.01	560	645	15-22	7-14			
		4	.05	.07	990	1140	22-32			
160	5	.03	.04	800	925	19-29	10-20	12	15	30
	6	.02	.03	640	735	18-26	9-17			
	8	.01	.01	460	530	15-22	6-13			
		4	.07	.09	1110	1275	25-36			
180	5	.04	.05	900	1035	22-33	13-24	12	15	30
	6	.03	.04	725	835	20-30	11-21			
	8	.02	.03	520	600	17-25	8-16			
		4	.08	.11	1240	1425	28-41			
200	5	.05	.07	1000	1150	24-36	-	12	15	35
	6	.04	.05	800	925	23-33	-			
	8	.02	.03	575	665	20-28	-			
		5	.08	.11	1250	1440	30-46			
250	6	.05	.07	1000	1150	27-39	-	13	15	35
	8	.03	.04	720	830	25-35	-			
	10	.01	.01	550	635	21-32	-			
		6	.07	.09	1200	1375	33-48			
300	8	.04	.05	865	1000	29-42	-	13	15	35
	10	.02	.03	665	765	25-39	-			
	12	.01	.01	545	630	23-33	-			
		8	.05	.08	1020	1175	34-48			
350	10	.03	.04	780	900	29-45	-	13	15	35
	12	.02	.03	640	735	26-38	-			
	8	.08	.11	1170	1350	40-55	-			
400	10	.04	.05	890	1025	33-50	-	14	16	40
	12	.03	.04	730	845	30-44	-			



SIDEWALL



SILL

Outlet Velocity (V _k) FPM												
500	600	700	800	900	1000	1200	1400	1600	1800	2000		
Total Pressure (P _t) Inches H ₂ O												
.02	.02	.03	.04	.05	.06	.09	.12	.16	.20	.25		

SYMBOLS
 V_T Terminal Velocity in fpm
 V_R Room Velocity in fpm
 V_K Outlet Velocity in fpm
 A_K Outlet area in Sq. Feet
 A_N Neck Area in Sq. Ft.
 P_S Static Pressure H₂O
 NC Re 8db Room attenuation
 T Throw in feet at X and Y
 ΔT Temperature Differential

ENGINEERING PERFORMANCE DATA

ALB SERIES



TABLE 2 RETURN AIR - CFM Per Foot of Length

Listed Width in Inches	A _K Area	Bar Style	NC 20-25 Non-Ducted		NC 25-30 Ducted		NC 30-40 Ducted	
			-02" P _S	-03" P _S	-08" P _S	-10" P _S	-15" P _S	-20" P _S
			CFM	CFM	CFM	CFM	CFM	CFM
1 1/2	.13	3 4 1	20	25	40	45	55	65
	.12	5	15	20	35	40	45	55
2	.18	3 4 1	30	40	65	70	90	100
	.17	5	25	35	55	60	75	85
2 1/2	.23	3 4 1	45	50	85	95	115	135
	.22	5	35	45	70	80	100	115
3	.27	3 4 1	55	65	105	120	145	165
	.25	5	45	55	90	100	120	140
4	.34	3 4 1	75	90	150	165	205	235
	.33	5	60	75	125	140	170	195
5	.41	3 4 1	95	120	190	215	260	305
	.39	5	80	100	160	180	220	255
6	.46	3 4 1	120	145	240	265	325	375
	.44	5	100	120	200	220	270	315

Listed Width in Inches	A _K Area	Bar Style	NC 20-25 Non-Ducted		NC 25-30 Ducted		NC 30-40 Ducted	
			-02" P _S	-03" P _S	-08" P _S	-10" P _S	-15" P _S	-20" P _S
			CFM	CFM	CFM	CFM	CFM	CFM
8	.57	3 4 1	160	200	325	360	445	515
	.54	5	135	165	270	305	370	430
10	.68	3 4 1	210	255	415	465	570	655
	.64	5	175	215	350	390	475	550
12	.76	3 4 1	255	310	510	565	695	800
	.72	5	210	260	425	475	580	670
16	.93	3 4 1	350	430	700	785	960	1100
	.86	5	285	350	570	635	780	900
20	1.1	3 4 1	445	545	885	990	1220	1410
	1.0	5	365	445	730	815	1000	1160
24	1.25	3 4 1	540	660	1080	1210	1475	1710
	1.15	5	440	540	880	985	1200	1390
30	1.45	3 4 1	670	820	1335	1495	1825	2110
	1.32	5	550	670	1090	1225	1500	1735
36	1.65	3 4 1	820	1010	1645	1835	2250	2600
	1.5	5	670	820	1335	1490	1825	2110

SYMBOLS

V_T Terminal Velocity in fpm
 V_R Room Velocity in fpm
 V_K Outlet Velocity in fpm

A_K Outlet area in Sq. Feet
 P_T Total Pressure H₂O
 P_S Static Pressure H₂O

NC Re 8db Room attenuation
 T Throw in feet at X and Y
 ΔT Temperature Differential



HOW TO SPECIFY ARCHITECTURAL LINEAR BAR GRILLES AND REGISTERS

Supply Register

Supply and mounting of linear bar register with attached opposed blade damper and 45 degree mitered corners, series **ALB**. Constructed from extruded aluminum, manufactured by Airvector.

Return Grille

Supply and mounting of linear bar grille with 45 degree mitered corners, series **ALB**. Constructed from extruded aluminum, manufactured by Airvector.

Linear Flow Bar Diffuser ALF10/ALF20 Series

1.0" Slot width	1-Slot	CFM	30	45	60	75	91	107
		Ps	0.024	0.053	0.100	0.161	0.240	0.332
		NC	-	24	33	40	46	51
	2-Slot	CFM	51	82	111	142	173	204
		Ps	0.024	0.053	0.099	0.160	0.238	0.330
		NC	-	26	35	43	49	55
1.5" Slot width	1-Slot	CFM	37	52	67	83	99	115
		Ps	0.022	0.042	0.070	0.087	0.156	0.210
		NC	-	22	27	35	41	45
	2-Slot	CFM	68	93	118	114	170	196
		Ps	0.025	0.042	0.065	0.095	0.131	0.172
		NC	-	23	26	36	41	45
2.0" Slot width	1-Slot	CFM	39	59	79	100	121	142
		Ps	0.018	0.033	0.059	0.094	0.139	0.191
		NC	-	22	29	34	42	48
	2-Slot	CFM	60	100	140	181	222	263
		Ps	0.016	0.031	0.057	0.091	0.136	0.189
		NC	-	22	30	37	44	50
2.5" Slot width	1-Slot	CFM	46	71	96	121	146	172
		Ps	0.020	0.044	0.085	0.135	0.202	0.282
		NC	-	21	29	34	42	48
	2-Slot	CFM	77	122	167	212	257	303
		Ps	0.020	0.041	0.074	0.118	0.174	0.240
		NC	-	21	32	37	42	47
3 " Slot width	1-Slot	CFM	48	78	180	138	168	199
		Ps	0.018	0.045	0.088	0.151	0.233	0.333
		NC	-	22	25	34	40	45
	2-Slot	CFM	79	139	199	259	319	380
		Ps	0.018	0.045	0.081	0.151	0.233	0.333
		NC	-	21	29	37	43	48

SYMBOLS Ps Static Pressure in inches of water
 Throw Horizontal distances in feet to a terminal velocity of 50 FPM
 NC Noise Criteria based on 10 db room absorption

LineAirFlow Diffusers

Adjustable high-flow slider - ALF17/ALF27 Series

1.0" Slot width	1-Slot	CFM	30	45	60	76	92	111
		Ps	0.040	0.095	0.127	0.270	0.395	0.542
		Throw	5-9-15	9-13-18	12-15-21	14-17-24	15-18-26	16-20-28
		NC	-	21	31	37	44	49
	2-Slot	CFM	60	88	110	140	162	192
		Ps	0.041	0.084	0.142	0.216	0.305	0.412
		Throw	8-12-21	11-17-25	15-20-29	18-23-32	20-23-32	21-26-38
		NC	-	23	33	37	44	48
1.5" Slot width	1-Slot	CFM	35	50	66	82	97	116
		Ps	0.044	0.093	0.160	0.248	0.350	0.472
		Throw	7-11-16	10-14-19	13-16-22	14-17-24	15-19-27	16-21-29
		NC	-	21	30	38	43	48
	2-Slot	CFM	70	98	120	150	170	202
		Ps	0.043	0.082	0.130	0.192	0.265	0.355
		Throw	10-15-23	14-19-27	17-21-30	19-23-33	21-25-36	22-27-38
		NC	-	21	30	38	41	45
2.0" Slot width	1-Slot	CFM	35	55	76	97	112	141
		Ps	0.027	0.07	0.133	0.217	0.320	0.440
		Throw	7-10-16	11-14-20	14-17-24	16-19-27	17-21-29	18-23-32
		NC	-	17	27	34	41	45
	2-Slot	CFM	70	107	141	179	212	251
		Ps	0.027	0.063	0.113	0.178	0.258	0.352
		Throw	8-13-23	13-20-28	17-23-32	21-25-36	23-28-39	24-30-43
		NC	-	17	25	35	40	45
2.5" Slot width	1-Slot	CFM	45	69	94	118	143	170
		Ps	0.028	0.067	0.124	0.198	0.291	0.400
		Throw	7-10-18	11-16-22	15-18-26	17-21-29	19-23-32	20-25-35
		NC	-	20	30	37	43	48
	2-Slot	CFM	90	135	177	223	265	311
		Ps	0.028	0.061	0.109	0.170	0.245	0.330
		Throw	10-15-26	15-22-31	19-25-36	23-28-40	25-31-44	27-34-47
		NC	-	22	31	38	42	48
3 " Slot width	1-Slot	CFM	50	79	109	149	169	201
		Ps	0.030	0.078	0.148	0.240	0.360	0.495
		Throw	7-11-19	12-18-24	16-20-28	19-22-32	20-25-35	22-27-38
		NC	-	-	25	34	40	45
	2-Slot	CFM	100	152	218	281	341	401
		Ps	0.03	0.078	0.148	0.24	0.36	0.495
		Throw	9-16-27	17-24-34	23-28-40	26-32-45	28-35-49	31-38-54
		NC	-	19	28	37	43	48

SYMBOLS Ps Static Pressure in inches of water
 Throw Horizontal distances in feet to a terminal velocity of 50 FPM
 NC Noise Criteria based on 10 db room absorption

LineAirFlow Bar Diffusers

Jet-flow baffles - ALF18/ALF28 Series

TABLE 1 - 48" One Slot Diffuser Width 8" Inlet (Adjustable throw)

1.0" Slot width	1-Slot	CFM	30	45	60	76	92	111
		Ps	0.040	0.095	0.127	0.270	0.395	0.542
		Throw	5-9-15	9-13-18	12-15-21	14-17-24	15-18-26	16-20-28
		NC	-	21	31	37	44	49
1.5" Slot width	1-Slot	CFM	35	50	66	82		116
		Ps	0.044	0.093	0.160	0.248	0.350	0.472
		Throw	7-11-16	10-14-19	13-16-22	14-17-24	15-19-27	16-21-29
		NC	-	21	30	38	43	48
2.0" Slot width	1-Slot	CFM	35	55	76	97	112	141
		Ps	0.027	0.07	0.133	0.217	0.320	0.440
		Throw	7-10-16	11-14-20	14-17-24	16-19-27	17-21-29	18-23-32
		NC	-	17	27	34	41	45
2.5" Slot width	1-Slot	CFM	45	69	94	118	143	170
		Ps	0.028	0.067	0.124	0.198	0.291	0.400
		Throw	7-10-18	11-16-22	15-18-26	17-21-29	19-23-32	20-25-35
		NC	-	20	30	37	43	48
3 " Slot width	1-Slot	CFM	50	79	109	149	169	201
		Ps	0.030	0.078	0.148	0.240	0.360	0.495
		Throw	7-11-19	12-18-24	16-20-28	19-22-32	20-25-35	22-27-38
		NC	-	-	25	34	40	45

SYMBOLS Ps Static Pressure in inches of water
 Throw Horizontal distances in feet to a terminal velocity of 50 FPM
 NC Noise Criteria based on 10 db room absorption

LENGTH MULTIPLIERS AND ADJUSTMENTS

For other lengths than 48", divide above CFM by 4 to get CFM/foot, then use the multipliers and adjustments below.

Diffuser Length	2'	4'	6'	8'	10'
Throw Multiplier	0.9	1	1.1	1.2	1.3
NC Adjustment	-2	0	+2	+3	+4

SLOT DIFFUSERS



ALS SERIES SLOT DIFFUSER

For Ceiling, Sidewall and Sill Installation

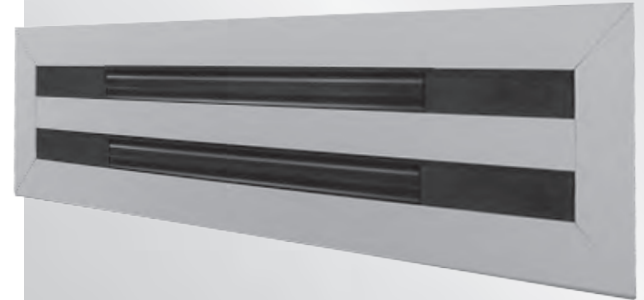
Series **ALS** Architectural Linear Slot Diffusers are designed for installation in the ceiling, sidewall or sill and are recommended for supplying heated, ventilated or cooled air and for returning or exhausting room air. Air pattern directional changes through 180° are effected by the integral "Uniflex" combination pattern and volume controller, permitting pattern adjustment to meet changing requirements. Their reliable performance assures confident use of cooling temperature differentials up to 25°F at predicted low air motion 35 FPM in the zone of occupancy. Series ALS Supply Diffusers perform efficiently with air loadings of 1 to 3 CFM per square feet of floor area or 6 to 18 air changes per hour (based on 10ft. ceiling height) at a sound level range of NC 25 to 35.

When installed in the ceiling, Series ALS Diffusers provide a horizontal air path that is adjustable through 180° in each slot opening. One to ten slot ALS Diffusers can be adjusted to provide one-way or two-way air patterns by directing the controller as required to either side.

Vertical downward air pattern can be adjusted from all slots. A combination horizontal pattern and vertical down pattern can be effected from a two (or more) slot diffuser.

Series ALS diffusers are fabricated of high-quality aluminum extrusions. The pattern controller is coated dull black to accent the slot opening. Components are mechanically interlocked together for a blemish-free appearance. Keyways and splice plates facilitate sections over 72" to form continuous lengths. Ninety degree mitered corner sections are furnished in one piece.

Concealed mounting brackets fit in a hemmed duct collar to positively hold the diffuser in ceiling and sidewall installations. Series ALS diffusers used for return or exhaust air are identical to supply sections except the pattern controller is removed to increase air capacity.



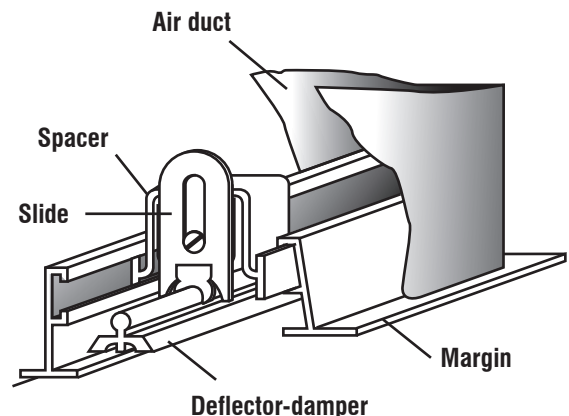
ALS37

FEATURES

- THREE SLOT SIZES, 1/2", 3/4" and 1".
- ONE TO EIGHT slots wide for air volume of 10-350 CFM per foot.
- EXTRUDED ALUMINUM construction: mechanical assembly.
- White powder paint finish-standard.
- OVERLAPPING OR T-BAR MARGINS.

ACCESSORIES

- Mitered Corner Sections
- AVAILABLE BUTTS in continuous lengths with key-way splices. Factory cut or field cut lengths for precise installation.
- 180° "UNIFLEX" ADJUSTABLE PATTERN AND VOLUME CONTROLLER provides positive positioning, constant static pressure, constant outlet area.

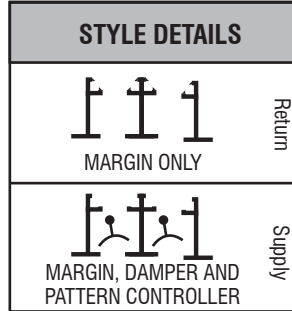


The Airvector® exclusive UNIFLEX pattern and volume controller



ALS SERIES SLOT DIFFUSER

LISTED SIZES AVAILABLE
Any fractional inch increment of length 12" to 72"
One to ten slots
Lengths longer than 72" will be furnished in multiple sections for field butting.
Custom Paint - Lengths over 60" will be furnished in multiple sections



HOW TO ORDER ALS SERIES

ALS37-E-4-GK 48 2 /W

MODEL SERIES	FASTENING	FINISH (OPTIONAL)
1" Slot Diffuser ALS17	No Fastening -1	Standard is White (/W)
1" Slot Return ALS10	Screw Fastening -3	See chart for more
1/2" Slot Diffuser ALS27	Concealed Mounting -4	
1/2" Slot Return ALS20		
3/4" Slot Diffuser ALS37		
3/4" Slot Return ALS30		

MARGIN STYLE
 Sidewall **-E**
 T-Bar Lay-In **-T**

FASTENING
 No Fastening **-1**
 Screw Fastening **-3**
 Concealed Mounting **-4**

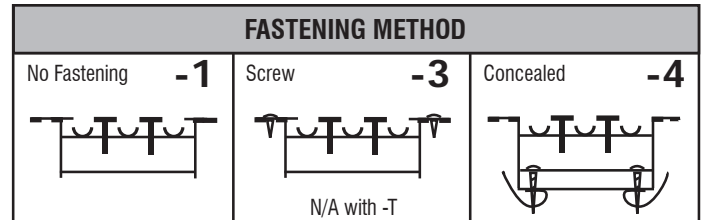
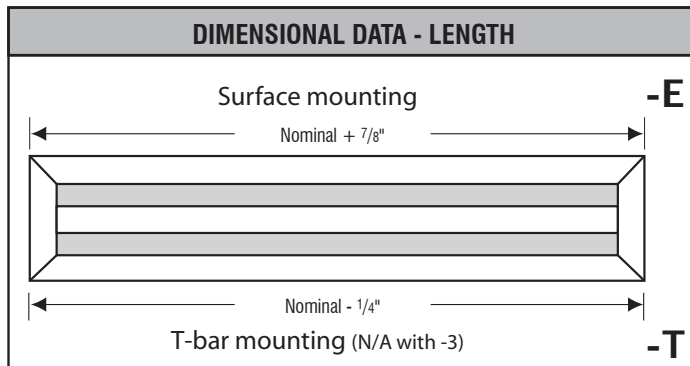
FINISH (OPTIONAL)
 Standard is White (**/W**)
 See chart for more

NUMBER OF SLOTS
 1-8

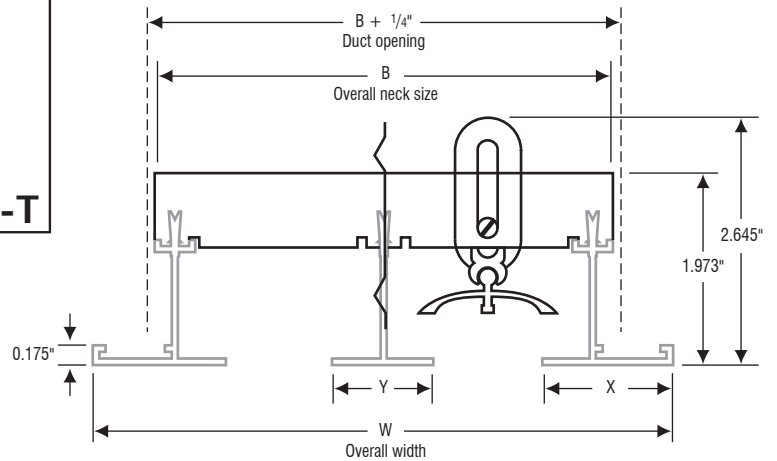
LENGTH (INCHES)
 48

Frame Gasket **-GK**

Series ALS products include a 1/32" tolerance for thermal expansion based on +40 degree F temperature differential. For every +20 degree F differential above +40 degree F, reduce required listed length by 1/64" per 5 feet of length.



1/2" SLOT		3/4" SLOT		1" SLOT	
X	Y	X	Y	X	Y
1 1/8"	11/16"	1 1/8"	11/16"	1 1/4"	1"



1/2" SLOT

SLOTS	B	W
1	1 9/16"	2 23/32"
2	2 3/4"	3 29/32"
3	3 15/16"	5 3/32"
4	5 1/8"	6 9/32"
5	6 5/16"	7 15/32"
6	7 1/2"	8 21/32"
7	8 11/16"	9 27/32"
8	9 7/8"	11 1/32"

3/4" SLOT

SLOTS	B	W
1	1 13/16"	2 31/32"
2	3 1/4"	4 13/32"
3	4 11/16"	5 27/32"
4	6 1/8"	7 9/32"
5	7 9/16"	8 23/32"
6	9"	10 5/32"
7	10 7/16"	11 19/32"
8	11 7/8"	13 1/32"

1" SLOT

SLOTS	B	W
1	2 3/8"	3 17/32"
2	4 3/8"	5 17/32"
3	6 3/8"	7 17/32"
4	8 3/8"	9 17/32"
5	10 3/8"	11 17/32"
6	12 3/8"	13 17/32"
7	14 3/8"	15 17/32"
8	16 3/8"	17 17/32"

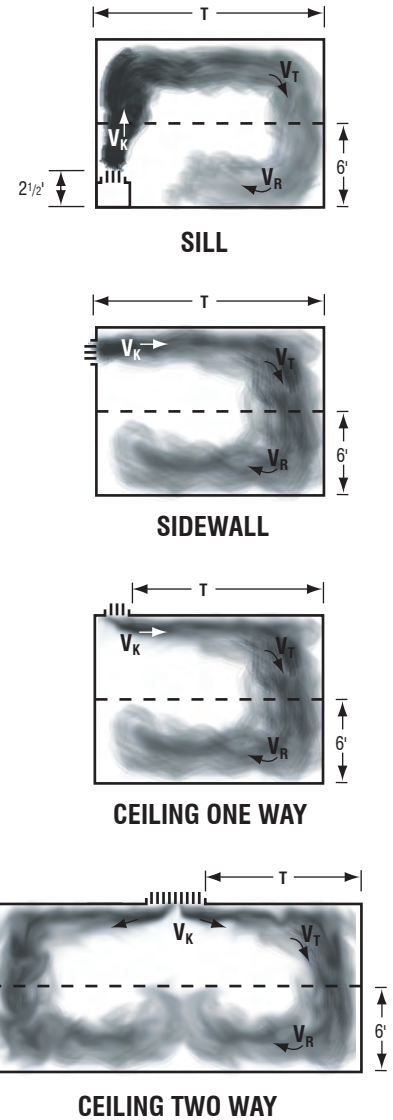
ENGINEERING PERFORMANCE DATA

ALS17 1" SLOT SUPPLY DIFFUSER



TABLE 1 SUPPLY AIR

CFM per Foot in Direction of T	No. of Slots	Min. P _s In. H ₂ O	Outlet Velocity (V _k) FPM	Throw (T) in Feet			Minimum Ceiling Height in Feet		NC		
				Ceiling	Sidewall	Sill	in Feet				
				Min.-Max.	Min.-Max.	Min.-Max.	@ -18F ΔT	@ -25F ΔT			
20	1	.02	500	6-8	4-7	1-2	8	9	20		
30	1	.03	750	9-13	7-10	2-3	9	10	20		
	2	.02	500	7-9	5-7	1-2			20		
40	1	.06	1000	10-14	9-14	4-6	9	11	25		
	2	.03	670	8-10	6-9	2-3			20		
50	1	.09	1250	12-15	10-14	3-5	9 1/2	11	31		
	2	.04	835	10-14	8-12	3-4			20		
	3	.02	555	9-11	7-10	2-3			20		
60	2	.06	1000	15-18	9-13	4-6	9 1/2	12	30		
	3	.03	665	10-13	7-11	2-4			20		
	4	.02	500	8-11	6-9	2-3			20		
70	2	.09	1165	13-17	11-15	5-8	10	12	30		
	3	.04	780	11-16	9-14	4-6			25		
	4	.02	585	10-14	7-11	3-4			20		
80	2	.11	1335	15-19	14-17	6-10	10 1/2	12 1/2	35		
	3	.05	890	12-17	10-14	4-7			25		
	4	.03	665	10-14	8-12	3-5			20		
90	4	.02	533	9-13	7-11	2-4	11	13	20		
	3	.06	1000	14-19	11-17	5-10			20		
	5	.04	750	13-18	11-15	4-8			20		
100	5	.02	600	12-16	10-14	3-7	11	13	20		
	6	.02	500	11-15	9-13	3-6			20		
	3	.08	1110	16-21	14-20	7-12			11 1/2	14	30
4	.04	835	15-20	13-18	6-11	25					
5	.03	665	14-18	12-16	5-9	20					
120	6	.02	555	13-17	11-15	4-8	11 1/2	13	20		
	3	.11	1335	18-25	16-22	8-13			12	15	35
	4	.06	1000	17-24	15-20	7-13					30
5	.04	800	16-23	14-21	6-12	25					
140	6	.03	665	15-21	13-19	5-11	11 1/2	14	20		
	7	.02	570	14-20	12-17	4-10			20		
	4	.09	1165	18-25	16-21	8-15			12	15	35
5	.05	935	18-26	16-22	8-14	30					
6	.04	780	17-25	15-22	7-14	25					
160	7	.03	665	16-23	14-20	6-12	11 1/2	14	20		
	8	.02	585	15-20	13-20	5-10			20		
	4	.11	1335	19-27	17-24	10-16			12	15	35
5	.07	1065	18-26	16-23	8-15	30					
6	.05	890	17-25	15-22	7-14	25					
180	7	.04	760	16-23	14-20	6-12	12	15	25		
	8	.03	665	15-20	13-18	5-10			20		
	9	.02	590	14-19	12-17	4-9			20		
200	5	.09	1200	20-30	18-27	10-19	12	15	35		
	6	.06	1000	19-28	17-25	9-17			30		
	7	.05	850	18-26	16-23	8-15			25		
250	8	.04	750	16-24	14-21	6-13	12	5	20		
	9	.03	665	15-21	13-19	5-11			20		
	10	.02	600	14-19	12-18	4-10			20		
300	5	.11	1335	23-33	20-30	12-21	12	5	35		
	6	.08	1110	21-32	19-29	10-20			30		
	7	.06	950	20-31	18-27	9-18			25		
350	8	.04	835	18-27	16-24	8-16	13	15	20		
	9	.03	740	17-26	15-23	6-14			20		
	10	.03	665	16-25	14-22	5-10			20		
200	6	.12	1390	24-35	21-31	-	13	15	35		
	7	.09	1190	23-34	20-30	-			35		
	8	.07	1040	21-32	19-28	-			30		
250	9	.05	925	20-31	18-27	-	13	15	25		
	10	.04	833	19-30	17-26	-			25		
	7	.13	1430	25-40	23-35	-			13	16	35
8	.10	1250	24-36	22-32	-	35					
9	.08	1110	23-34	20-30	-	30					
300	10	.06	1000	22-32	19-28	-	13	16	30		
	8	.13	1460	27-47	24-43	-			14	16	40
	9	.11	1300	26-45	23-41	-					35
10	.09	1165	25-42	22-39	-	30					



9 and 10 slots not available

ENGINEERING PERFORMANCE DATA



ALS17 1" SLOT SUPPLY DIFFUSER

NOTES:

- Table 1 based on 4 ft. diffuser length. For longer lengths, correct throw and NC per Table 2.
- For 2-way ceiling throw, proportion (CFM) and number of slots in each direction of T and select from 1-way data, Table 1.
- When using continuous diffuser lengths with alternating active and inactive sections, a reduction in throw can be obtained by omitting the factors contained in Table 2.
- P_s constant for horizontal 1-way, 2-way and vertical pattern adjustment.
- Supply air temperature effect on horizontal throw is shown in Table 3. Vertical throw at varying supply air temperatures is shown in Table 4.
- Terminal velocities (V_T) at the minimum and maximum Throw (T) positions are rated at 150 FPM and 100 FPM respectively with corresponding room velocities (V_R) of 50 FPM and 35 FPM.

TABLE 2 CONTINUOUS DIFFUSER LENGTH FACTORS

Modify Table 1 by factors for diffuser lengths above 4ft.				
Diffuser Length	Throw (T)			NC
	Ceiling Min.-Max.	Sidewall Min.-Max.	Sill Min.-Max.	
4' - 6'	No Change			+ 0
7' - 20'	T x 1.10			+ 5
21' - 100'	T x 1.15			+ 10

TABLE 3 SUPPLY AIR TEMPERATURE FACTORS

Multiply Throw in Table 1 (or factor in Table 2 if used) by listed value.			
Ceiling Sidewall Sill	@ - 11°C ΔT	@ 0°C ΔT	@ + 14°C ΔT
	@ - 20F ΔT	@ 0F ΔT	@ + 25F ΔT
	T x 1.0	T x 1.1	T x 1.2

TABLE 4 VERTICAL DOWN-THROW and Supply Temperature Factors

Multiply Throw-Sidewall in Table 1 (or factor in Table 2 if used) by listed value.			
	@ - 11°C ΔT	@ 0°C ΔT	@ + 14°C ΔT
	@ - 20F ΔT	@ 0F ΔT	@ + 25F ΔT
	Cooling	Ventilating	Heating
Case 1	T x 1.0	T x .90	T x .60
Case 2	T x .70	T x .60	T x .40

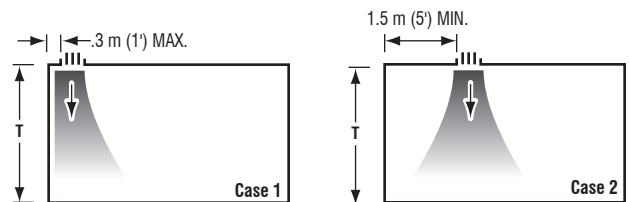
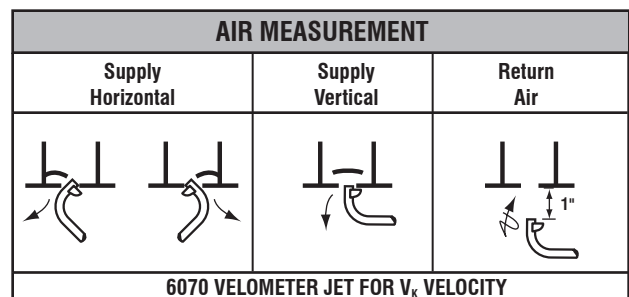


TABLE 5 SUPPLY DIFFUSERS AREAS Per Ft. of Length

A_N Area	No. of Slots							
	1	2	3	4	5	6	7	8
	.04	.06	.09	.12	.15	.18	.21	.24
	.17	.33	.50	.67	.83	1.00	1.17	1.33



A_K constant for horizontal 1-way, 2-way and vertical pattern.

$$CFM = A_K \times \text{length in feet} \times V_K$$

ENGINEERING PERFORMANCE DATA

ALS10 1" SLOT RETURN



TABLE 1 RETURN AIR CFM PER FOOT OF LENGTH

No. of Slots	A _K Area	NC 20-25 Application Non-Ducted		NC 30 Application Ducted		NC 35-40 Application Ducted	
		- .02" P _s	- .03" P _s	- .08" P _s	- .10" P _s	- .15" P _s	- .20" P _s
		CFM	CFM	CFM	CFM	CFM	CFM
1	.06	35	43	70	80	95	110
2	.11	70	85	140	155	190	220
3	.17	105	130	210	235	285	330
4	.23	140	170	280	310	380	440
5	.28	175	215	350	390	475	550
6	.33	210	255	420	465	570	660
7	.39	245	300	490	545	665	770
8	.44	280	340	560	620	760	880

Capacity based on diffuser without pattern controller. When pattern controller is used CFM capacities are reduced by 65% at listed P_s, NC and A_K.

ENGINEERING PERFORMANCE DATA

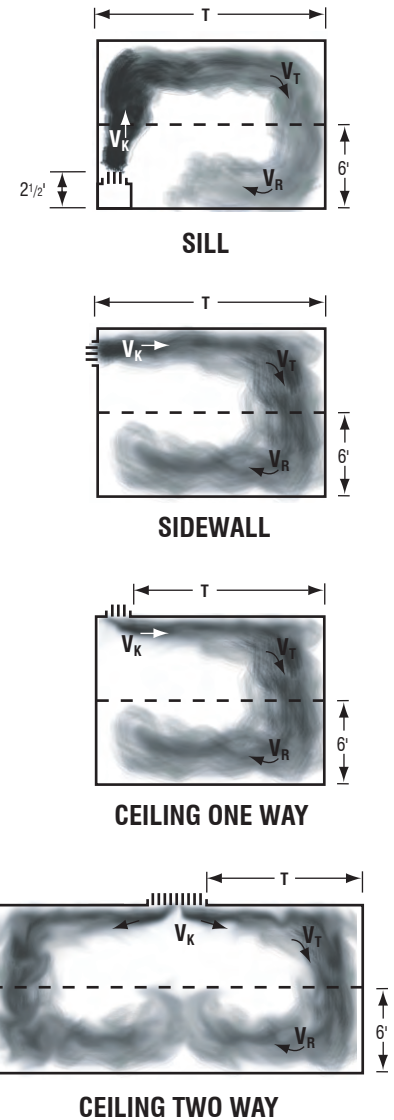


ALS27 1/2" SUPPLY SLOT DIFFUSER

TABLE 1 SUPPLY AIR

CFM per Foot in Direction of T	No. of Slots	Min. P _S In. H ₂ O	Outlet Velocity (V _K) FPM	Throw (T) in Feet			Minimum Ceiling Height in Feet		NC		
				Ceiling	Sidewall	Sill					
				Min.-Max.	Min.-Max.	Min.-Max.	@ -18F ΔT	@ -25F ΔT			
10	1	.02 <.01	500	5-7	3-5	1-2	7 1/2	9	<20		
	2		335	4-6	2-4	1-2			<20		
20	1	.08	1000	10-13	8-11	1-3	8	9	20		
	2	.02	670	8-11	6-9	2-3			<20		
	3	.01	400	6-9	4-7	1-2			<20		
30	1	.18	1500	11-16	10-14	4-6	9	10	25		
	2	.05	1000	10-14	8-12	3-4			20		
	3	.02	600	8-11	6-9	2-3			<20		
	4	.01	430	7-9	5-7	1-2			<20		
40	2	.08	1330	13-17	11-15	4-6	9	11	25		
	3	.04	800	10-14	8-12	3-5			20		
	4	.02	570	9-12	7-10	2-3			20		
	5	.01	445	8-11	6-9	2-3			<20		
	3	.06	1000	11-15	9-13	4-6			9 1/2	11	25
4	.03	710	10-14	8-12	3-4	20					
5	.02	560	9-13	7-11	2-4	20					
6	.01	500	8-12	7-10	1-3	<20					
60	3	.08	1200	13-17	11-15	5-8	9 1/2	12	25		
	4	.05	855	12-16	10-14	4-7			25		
	5	.03	670	11-15	9-13	3-6			20		
	6	.02	600	10-14	8-12	3-5			<20		
70	3	.12	1400	15-20	13-18	6-11	10	12	25		
	4	.06	1000	13-18	11-16	5-9			25		
	5	.04	780	12-16	10-14	4-7			20		
	6	.03	700	11-15	9-13	3-6			20		
	7	.02	580	10-15	8-13	2-5			20		
	4	.08	1140	14-20	12-18	6-11			10 1/2	12 1/2	25
	5	.05	890	13-19	11-17	5-10					25
6	.04	800	13-18	11-16	5-9	25					
7	.03	670	13-17	11-15	4-8	20					
80	8	.02	570	12-16	10-14	3-7	20				
	4	.10	1280	17-24	15-21	8-14	11	13	30		
	5	.07	1000	16-22	14-20	7-13			25		
	6	.05	900	16-21	14-19	7-12			25		
	7	.04	750	15-20	13-18	6-11			25		
	8	.03	640	14-18	12-16	5-9			20		
	9	.02	600	13-17	11-15	4-8			20		
	5	.09	1120	18-25	16-22	9-15			11	13	25
	6	.06	1000	17-24	15-21	8-14					25
7	.05	830	16-23	14-20	7-13	25					
8	.03	710	14-20	12-18	6-11	20					
9	.03	670	13-19	11-17	5-10	20					
10	.02	590	12-18	10-16	5-10	<20					
120	6	.09	1200	19-27	17-24	10-16	11 1/2	13	30		
	7	.07	1000	18-26	16-23	8-15			25		
	8	.05	860	17-25	15-22	7-14			25		
	9	.04	800	16-24	14-21	6-13			20		
	10	.03	705	15-22	13-19	5-11			20		
140	7	.10	1170	20-30	18-27	10-19	11 1/2	14	25		
	8	.06	1000	19-28	17-25	9-17			25		
	9	.05	930	18-27	16-24	8-16			20		
	10	.04	825	17-25	15-22	7-14			20		
160	8	.08	1140	21-32	19-29	10-20	12	15	25		
	9	.07	1070	20-30	18-27	9-18			25		
	10	.05	940	19-28	17-25	8-17			20		
180	8	.08	1280	24-35	21-31	12-22	12	15	30		
	9	.07	1200	23-34	20-30	11-21			25		
200	10	.05	1060	22-32	19-29	10-20	12	15	25		
	9	.10	1335	25-39	22-35	-			30		
	10	.08	1175	24-37	21-33	-	12	15	25		

9 and 10 slots not available



Outlet Velocity (V _K) FPM										
500	600	700	800	900	1000	1200	1400	1600	1800	2000
Total Pressure (P _T) Inches H ₂ O										
.02	.02	.03	.04	.05	.06	.09	.12	.16	.20	.25

- SYMBOLS
- V_T Terminal Velocity in FPM
 - V_R Room Velocity in FPM
 - V_K Outlet Velocity in FPM
 - A_K Outlet area in Sq. Feet
 - A_N Neck Area in Sq. Ft.
 - P_S Static Pressure H₂O
 - NC Re 8db Room attenuation
 - T Throw in feet at X and Y
 - ΔT Temperature Differential

DATA SHEET

ENGINEERING PERFORMANCE DATA



ALS27 1/2" SLOT SUPPLY DIFFUSER

NOTES:

- Table 1 based on 4 ft. diffuser length. For longer lengths, correct throw and NC per Table 2.
- For 2-way ceiling throw, proportion (CFM) and number of slots in each direction of T and select from 1-way data, Table 1.
- When using continuous diffuser lengths with alternating active and inactive sections, a reduction in throw can be obtained by omitting the factors contained in Table 2.
- P_S constant for horizontal 1-way, 2-way and vertical pattern adjustment.
- Supply air temperature effect on horizontal throw is shown in Table 3. Vertical throw at varying supply air temperatures is shown in Table 4.
- Terminal velocities (V_T) at the minimum and maximum Throw (T) positions are rated at 150 FPM and 100 FPM respectively with corresponding room velocities (V_R) of 50 fpm and 35 FPM.

TABLE 2 CONTINUOUS DIFFUSER LENGTH FACTORS

Modify Table 1 by factors for diffuser lengths above 4ft.				
Diffuser Length	Throw (T)			NC
	Ceiling Min.-Max.	Sidewall Min.-Max.	Sill Min.-Max.	
4' - 6'	No Change			+ 0
7' - 20'	T x 1.10			+ 5
21' - 100'	T x 1.15			+ 10

TABLE 4 VERTICAL DOWN-THROW and Supply Temperature Factors

Multiply Throw-Sidewall in Table 1 (or factor in Table 2 if used) by listed value.			
	@ - 11°C ΔT	@ 0°C ΔT	@ +14°C ΔT
	@ - 20F ΔT	@ 0F ΔT	@ +25F ΔT
	Cooling	Ventilating	Heating
Case 1	T x 1.0	T x .90	T x .60
Case 2	T x .70	T x .60	T x .40

TABLE 5 SUPPLY DIFFUSERS AREAS Per Ft. of Length

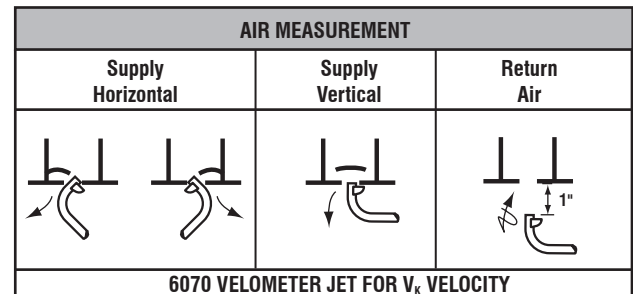
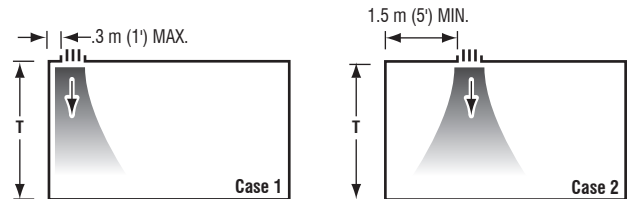
	No. of Slots							
	1	2	3	4	5	6	7	8
A_N Area	.02	.03	.05	.07	.09	.10	.12	.14
A_K Area	.08	.17	.25	.33	.42	.50	.58	.67

A_K constant for horizontal 1-way, 2-way and vertical pattern.

$$CFM = A_K \times \text{length in feet} \times V_K$$

TABLE 3 SUPPLY AIR TEMPERATURE FACTORS

Multiply Throw in Table 1 (or factor in Table 2 if used) by listed value.			
Ceiling Sidewall Sill	@ - 11°C ΔT	@ 0°C ΔT	@ +14°C ΔT
	@ - 20F ΔT	@ 0F ΔT	@ +25F ΔT
	T x 1.0	T x 1.1	T x 1.2



ENGINEERING PERFORMANCE DATA

ALS20 1/2" SLOT RETURN



TABLE 1 RETURN AIR CFM Per Foot of Length

No. of Slots	A _K Area	NC 20-25		NC 30		NC 35-40	
		Application Non-Ducted		Application Ducted		Application Ducted	
		- .02" P _S CFM	- .03" P _S CFM	- .08" P _S CFM	- .10" P _S CFM	- .15" P _S CFM	- .20" P _S CFM
1	.03	15	20	30	35	40	45
2	.06	35	45	70	80	95	110
3	.08	55	70	110	125	150	175
4	.11	70	85	140	155	190	220
5	.14	90	110	180	200	245	285
6	.16	110	135	220	245	300	345
7	.20	130	160	260	290	355	410
8	.22	140	170	280	310	385	440

Capacity based on diffuser without pattern controller. When pattern controller is used CFM capacities are reduced by 65% at listed P_S, NC and A_K.

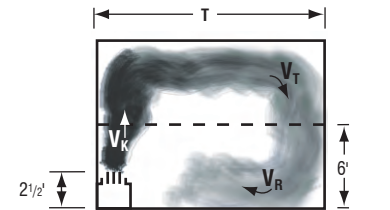
ENGINEERING PERFORMANCE DATA

ALS37 3/4" SUPPLY SLOT DIFFUSER

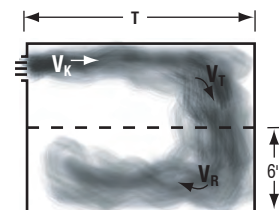


TABLE 1 SUPPLY AIR

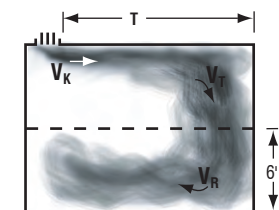
CFM per Foot in Direction of T	No. of Slots	Min. P _s In. H ₂ O	Outlet Velocity (V _k) FPM	Throw (T) in Feet			Minimum Ceiling Height in Feet		NC			
				Ceiling	Sidewall	Sill	Minimum Ceiling Height in Feet					
				Min.-Max.	Min.-Max.	Min.-Max.	@ -18F ΔT	@ -25F ΔT				
10	1	.01	335	4-6	2-4	1-2	7 1/2	9	<20			
20	1	.04	670	8-11	6-9	2-3	8	9	20			
	2	<.01	400	6-9	4-7	1-2			<20			
30	1	.09	1000	10-14	8-12	3-4	9	10	25			
	2	.02	600	8-11	6-9	2-3			20			
	3	<.01	430	7-9	5-7	1-2			<20			
40	1	.16	1340	13-7	11-15	4-6	9	11	30			
	2	.04	800	10-14	8-12	3-4			25			
	3	.02	575	9-12	7-10	2-3			20			
	4	.01	445	8-11	6-9	2-3			<20			
50	2	.06	1000	11-15	9-13	4-6	9 1/2	11	25			
	3	.03	715	10-14	8-12	3-4			20			
	4	.02	555	9-13	7-11	2-3			<20			
	5	<.01	415	7-12	6-10	2-3			<20			
	6	.09	1200	13-17	11-15	5-8			9 1/2	12	30	
3	.04	860	12-16	10-14	4-7	25						
4	.02	665	11-15	9-13	3-6	20						
5	.01	500	9-13	7-11	3-4	<20						
70	2	.13	1400	15-20	13-18	6-11	10	12			30	
	3	.06	1000	13-18	11-16	5-9			25			
	4	.03	775	12-16	10-14	4-7			20			
	5	.02	585	10-15	8-13	3-5			<20			
	6	.01	500	9-14	7-12	2-5			<20			
	80	3	.07	1140	14-20	12-18			6-11	10 1/2	12 1/2	30
4		.04	885	13-19	11-17	5-10	25					
5		.03	665	13-17	11-15	4-8	20					
6		.02	575	12-16	10-14	3-7	<20					
7		<.01	500	11-15	9-13	3-6	<20					
90		3	.09	1290	17-24	15-21	8-14	11	13			30
		4	.05	1000	16-22	14-20	7-13					25
	5	.03	750	15-20	13-18	6-11	20					
	6	.02	645	14-18	12-16	5-9	<20					
	7	.01	560	13-17	11-15	4-8	<20					
	100	3	.13	1430	19-26	17-23	10-16			11	13	30
		4	.06	1110	18-25	16-22	9-15					25
5		.04	830	16-23	14-20	7-13	20					
6		.03	715	14-20	12-18	6-11	20					
7		.02	630	13-19	11-17	5-10	<20					
120		4	.09	1330	19-27	17-24	10-16	11 1/2	13			35
		5	.06	1000	18-26	16-23	8-15					30
	6	.04	860	17-25	15-22	7-14	25					
	7	.03	750	16-23	14-20	6-12	20					
	8	.02	630	15-20	13-18	5-10	<20					
	140	5	.08	1170	20-30	18-27	10-19			11 1/2	14	30
		6	.06	1000	19-28	17-25	9-17					25
		7	.04	875	18-26	16-23	8-15					25
8		.03	740	16-24	14-21	6-13	20					
9		.02	665	15-21	13-19	5-11	<20					
160		6	.07	1150	21-32	19-29	10-20	12	15			25
		7	.05	1000	20-30	18-27	9-18					25
		8	.04	840	18-27	16-24	8-16					20
		9	.03	760	17-26	15-23	6-14					<20
	10	.02	695	16-25	14-22	5-13	<20					
	180	6	.09	1290	24-35	21-31	12-22			12	15	30
		7	.07	1130	23-34	20-30	11-21					30
		8	.05	950	20-31	18-28	9-19					25
		9	.04	860	19-30	17-27	8-18					20
		10	.03	780	18-29	16-26	7-17					<20
200	6	.11	1440	26-40	23-36	-	12	15	30			
	7	.08	1250	25-38	22-34	-			30			
	8	.06	1110	24-36	21-32	-			25			
	9	.05	955	22-33	20-30	-			25			
	10	.04	870	21-31	19-28	-			20			
250	8	.10	1315	26-46	23-41	-	13	15	35			
	9	.07	1190	25-42	22-38	-			30			
	10	.06	1085	24-39	21-35	-			25			



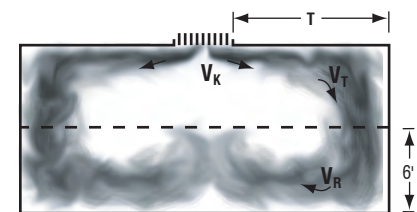
SILL



SIDEWALL



CEILING ONE WAY



CEILING TWO WAY

Outlet Velocity (V _k) FPM										
500	600	700	800	900	1000	1200	1400	1600	1800	2000
Total Pressure (P _t) Inches H ₂ O										
.02	.02	.03	.04	.05	.06	.09	.12	.16	.20	.25

- SYMBOLS**
- V_T Terminal Velocity in FPM
 - V_R Room Velocity in FPM
 - V_K Outlet Velocity in FPM
 - A_K Outlet area in Sq. Feet
 - A_N Neck Area in Sq. Ft.
 - P_s Static Pressure H₂O
 - NC Re 8db Room attenuation
 - T Throw in feet at X and Y
 - ΔT Temperature Differential

DATA SHEET

ENGINEERING PERFORMANCE DATA

ALS37 3/4" SLOT SUPPLY DIFFUSER



NOTES:

- Table 1 based on 4 ft. diffuser length. For longer lengths, correct throw and NC per Table 2.
- For 2-way ceiling throw, proportion (CFM) and number of slots in each direction of T and select from 1-way data, Table 1.
- When using continuous diffuser lengths with alternating active and inactive sections, a reduction in throw can be obtained by omitting the factors contained in Table 2.
- P_s constant for horizontal 1-way, 2-way and vertical pattern adjustment.
- Supply air temperature effect on horizontal throw is shown in Table 3. Vertical throw at varying supply air temperatures is shown in Table 4.
- Terminal velocities (V_T) at the minimum and maximum Throw (T) positions are rated at 150 FPM and 100 FPM respectively with corresponding room velocities (V_R) of 50 fpm and 35 FPM.

TABLE 2 CONTINUOUS DIFFUSER LENGTH FACTORS

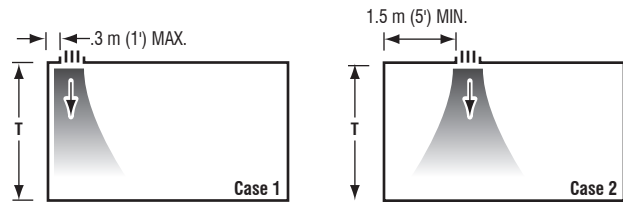
Modify Table 1 by factors for diffuser lengths above 4ft.				
Diffuser Length	Throw (T)			NC
	Ceiling Min.-Max.	Sidewall Min.-Max.	Sill Min.-Max.	
4' - 6'	No Change			+ 0
7' - 20'	T x 1.10			+ 5
21' - 100'	T x 1.15			+ 10

TABLE 3 SUPPLY AIR TEMPERATURE FACTORS

Multiply Throw in Table 1 (or factor in Table 2 if used) by listed value.			
Ceiling Sidewall Sill	@ - 11°C ΔT	@ 0°C ΔT	@ +14°C ΔT
	@ - 20F ΔT	@ 0F ΔT	@ +25F ΔT
	T x 1.0	T x 1.1	T x 1.2

TABLE 4 VERTICAL DOWN-THROW and Supply Temperature Factors

Multiply Throw-Sidewall in Table 1 (or factor in Table 2 if used) by listed value.			
	@ - 11°C ΔT	@ 0°C ΔT	@ +14°C ΔT
	@ - 20F ΔT	@ 0F ΔT	@ +25F ΔT
	Cooling	Ventilating	Heating
Case 1	T x 1.0	T x .90	T x .60
Case 2	T x .70	T x .60	T x .40



AIR MEASUREMENT		
Supply Horizontal	Supply Vertical	Return Air
6070 VELOMETER JET FOR V_k VELOCITY		

TABLE 5 SUPPLY DIFFUSERS AREAS Per Ft. of Length

	No. of Slots							
	1	2	3	4	5	6	7	8
A_N Area	.03	.05	.07	.09	.12	.14	.16	.19
A_K Area	.12	.24	.36	.48	.60	.72	.84	.96

A_K constant for horizontal 1-way, 2-way and vertical pattern.

$$CFM = A_K \times \text{length in feet} \times V_K$$

DATA SHEET

ALS30 3/4" SLOT RETURN



TABLE 1 RETURN AIR CFM Per Foot of Length

No. of Slots	A _K Area	NC 20-25		NC 30		NC 35-40	
		Application Non-Ducted		Application Ducted		Application Ducted	
		- .02" P _S CFM	- .03" P _S CFM	- .08" P _S CFM	- .10" P _S CFM	- .15" P _S CFM	- .20" P _S CFM
1	.04	25	35	50	65	75	90
2	.08	50	60	100	110	135	160
3	.12	80	100	160	180	220	250
4	.16	100	120	200	225	275	320
5	.20	130	160	260	295	360	420
6	.24	160	195	320	360	440	510
7	.28	175	215	350	390	475	550
8	.32	200	245	400	445	545	630

Capacity based on diffuser without pattern controller. When pattern controller is used CFM capacities are reduced by 65% at listed P_S, NC and A_K.

HOW TO SPECIFY ARCHITECTURAL LINEAR SLOT DIFFUSERS

Supply Diffuser

Supply and mounting of linear slot diffuser with uniflex pattern and volume controller, series **ALS**. Constructed from powder coater extruded aluminum with 45 degree mitered corners, manufactured by Airvector.

Return

Supply and mounting of linear slot return, series **ALS**. Constructed from powder coater extruded aluminum with 45 degree mitered corners, manufactured by Airvector.

ARCHITECTURAL GRILLES



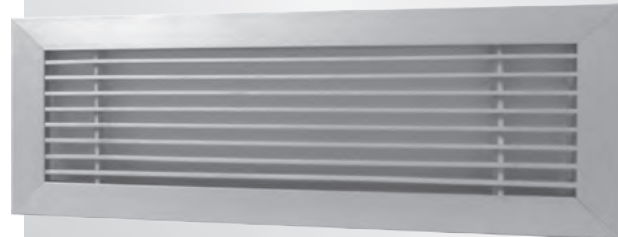
ARCH SERIES Architectural Sidewall Linear Bar Grilles and Registers

Series ARCH - Architectural Sidewall Linear Bar Grilles are designed for installation in the sidewall and are recommended for supplying heated, ventilated, or cooled air, and for returning or exhausting room air. Series ARCH provide a slick look, extreme durability, quick installation and easy access to duct for cleaning and maintenance. All those features combined are what make Series ARCH a best value option for high end residential and commercial applications.

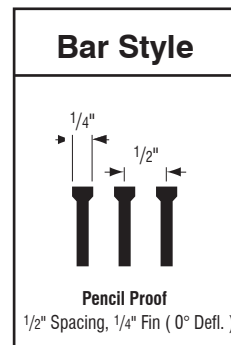
Offered in various finishes to suit all applications, Series ARCH feature a concealed fastening method with no apparent screw holes for a better look. Frame is secured with hidden screw holes in the neck. Removable core is held firmly with sturdy spring clips to avoid any rattling. The Pencil Proof bar style (1/4" bar, 1/2" center-to-center spacing) offers a 50% free area for an optimized balance between aesthetic, security and performance.

Their reliable performance assures confident use of cooling temperature differentials up to 25°F at predicted low air motion of 35 fpm in the zone of occupancy. Series ARCH Grilles perform efficiently with air loadings of 1 to 2 1/2 CFM per sq.ft. and a sound level range of NC 25 to 35. When installed in the sidewall near the ceiling, Series ARCH Grilles provide a horizontal pattern above the occupied zone.

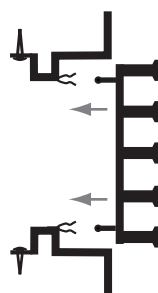
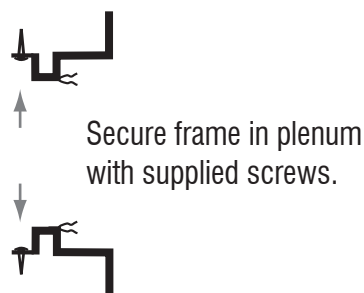
Series ARCH Grilles are fabricated of high-quality aluminum extrusions. Components are mechanically interlocked for a blemish-free appearance. Opposable Blade Volume dampers are integrally fastened to ARCH7 Registers.



ARCH



Concealed Screw Holes & Removable Core with Spring Clips - Two Steps Installation

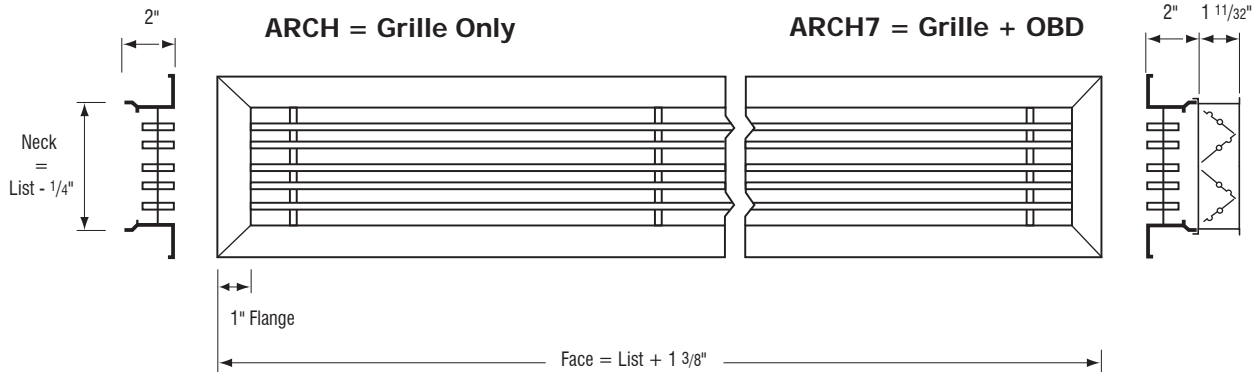


Clip in removable core.

ARCHITECTURAL STYLES



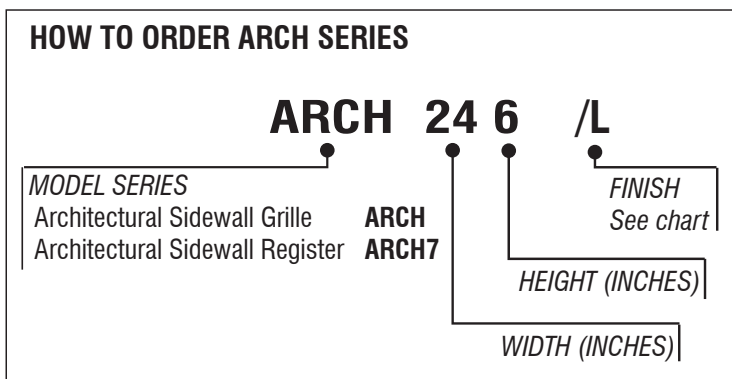
ARCH SERIES



All dimensions in inches.
 Series ARCH products include a 1/32" tolerance for thermal expansion based on a +40°F temperature differential.
 For every +20°F differential above +40°F, reduce required listed length by 1/64" per 5 feet of length.

How to Specify ARCH Series

Supply and mounting of Airvector® Series ARCH architectural sidewall linear bar grille with concealed screw fastening and removable core with clips. Constructed from heavy gauge extruded aluminum.



ENGINEERING PERFORMANCE DATA

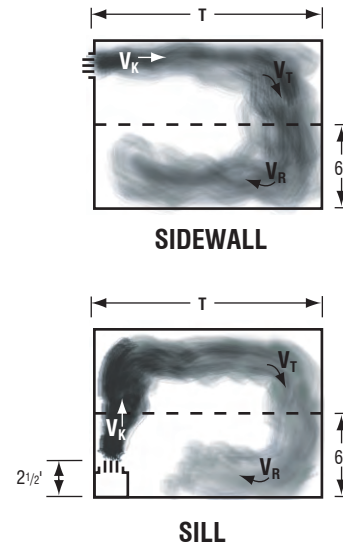
ARCH SERIES



TABLE 1 SUPPLY AIR

CFM per Foot	Listed Width in Inches	Min. P _s in H ₂ O	Outlet Velocity (V _k) FPM	Throw (T) in Feet		Minimum Ceiling Height in Feet		NC
				Sidewall Min.-Max.	Sill Min.-Max.	@-18°F ΔT	@-25°F ΔT	
60	4	.01	425	8-12	2-5	9 1/2	12	<20
70	4	.01	500	10-14	3-7	10	12	<20
80	4	.01	570	11-16	4-9	10 1/2	12 1/2	20
90	4	.02	635	13-18	6-11	11	13	25
	5	.01	520	11-16	4-9			20
100	4	.03	715	14-20	7-13	11	13	25
	5	.01	575	12-18	5-11			20
120	4	.04	855	17-24	9-16	11 1/2	13	30
	5	.03	680	15-22	7-14			25
	6	.01	550	13-19	5-11			20
140	4	.05	1000	19-28	11-20	11 1/2	14	30
	5	.03	810	17-25	9-17			25
	6	.01	645	15-22	7-14			20
160	4	.07	1140	22-32	13-23	12	15	35
	5	.04	925	19-29	10-20			30
	6	.03	735	18-26	9-17			25
	8	.01	530	15-22	6-13			20
180	4	.09	1275	25-36	16-27	12	15	35
	5	.05	1035	22-33	13-24			30
	6	.04	835	20-30	11-21			25
	8	.03	600	17-25	8-16			20
200	4	.11	1425	28-41	-	12	15	40
	5	.07	1150	24-36	-			35
	6	.05	925	23-33	-			30
	8	.03	665	20-28	-			25
250	5	.11	1440	30-46	-	13	15	40
	6	.07	1150	27-39	-			35
	8	.04	830	25-35	-			30
	10	.01	635	21-32	-			25
300	6	.09	1375	33-48	-	13	15	40
	8	.05	1000	29-42	-			35
	10	.03	765	25-39	-			30
	12	.01	630	23-33	-			25
350	8	.08	1175	34-48	-	13	15	40
	10	.04	900	29-45	-			35
	12	.03	735	26-38	-			30
400	8	.11	1350	40-55	-	14	16	45
	10	.05	1025	33-50	-			40
	12	.04	845	30-44	-			35

Terminal velocities (V_T) at the minimum and maximum Throw (T) values are rated at 125 FPM and 75 FPM respectively with corresponding room velocities (V_R) of 50 fpm and 35 FPM.



Outlet Velocity (V _k) FPM										
500	600	700	800	900	1000	1200	1400	1600	1800	2000
Total Pressure (P _T) Inches H ₂ O										
.02	.02	.03	.04	.05	.06	.09	.12	.16	.20	.25

TABLE 2 RETURN AIR (CFM Per Foot of Length)

Listed Width in Inches	A _k Area	NC 20-25 Non-Ducted		NC 25-30 Ducted		NC 30-40 Ducted			
		-.02" P _s		-.03" P _s		-.08" P _s		-.10" P _s	
		CFM	CFM	CFM	CFM	CFM	CFM	CFM	CFM
4	.34	75	90	150	165	205	235		
5	.41	95	120	190	215	260	305		
6	.46	120	145	240	265	325	375		
8	.57	160	200	325	360	445	515		
10	.68	210	255	415	465	570	655		
12	.76	255	310	510	565	695	800		

- SYMBOLS
- V_T Terminal Velocity in fpm
 - V_R Room Velocity in fpm
 - V_k Outlet Velocity in fpm
 - A_k Outlet area in Sq. Feet
 - A_N Neck Area in Sq. Ft.
 - P_s Static Pressure H₂O
 - P_T Total Pressure H₂O
 - NC Re 8db Room attenuation
 - T Throw in feet at X and Y
 - ΔT Temperature Differential

DATA SHEET

ENGINEERING PERFORMANCE DATA

ARCH SERIES

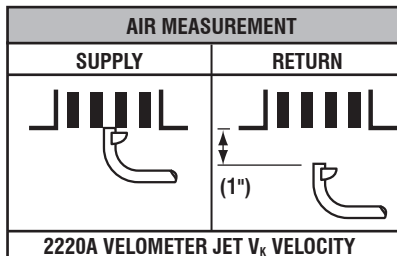


TABLE 3 SUPPLY AIR TEMPERATURE FACTORS

Multiply Throw in Table 1 (or factor in Table 2 if used) by listed value.			
Sidewall Sill	@-20°F ΔT T x 1.10	@ 0°F ΔT T x 1.11	@+25°F ΔT T x 1.12

TABLE 4 SUPPLY GRILLES AREAS Per Ft. of Length

		Listed Width in inches																
		1.5"	2"	2.5"	3"	4"	5"	6"	8"	10"	12"	14"	16"	18"	20"	24"	30"	36"
A_N		.13	.17	.21	.25	.33	.42	.50	.67	.84	1.0	1.2	1.3	1.5	1.7	2.0	2.5	3.0
A_K		.04	.06	.09	.11	.16	.20	.25	.35	.45	.55	.68	.79	.90	1.0	1.3	1.6	2.1
A_K		.03	.05	.08	.09	.14	.17	.21	.30	.38	.47	.58	.67	.77	.85	1.1	1.4	1.8



NOTES:

1. ΔP_s static pressure difference inlet to discharge.
2. ΔP_s is the minimum pressure required to deliver CFM shown with the primary damper in wide open position.
3. ΔP_t is the total pressure difference from inlet to discharge.
4. NC level less than 10 shown as (-).

- a) 5 foot lined flex duct (8" diameter).
- b) 5 foot rectangular duct lined with 1" fiberglass insulation.
- c) Space effect factor (2400 ft³) at 5 feet from outlet.
- d) End reflection.
- e) Flow division.

NC levels are derived from tests conducted in accordance with AHRI Standard 880-2008 and are calculated in accordance with AHRI Standard 885-2008 as application data based on the following:

Radiated NC levels are based on :

- a) Plenum / ceiling effect - 5/8" mineral fiber tile, 35 lb / ft³ - 3 foot plenum.
- b) Environmental adjustment factor.

*Not in the AHRI 880 Certification Program.

Inlet Size Inches)	CFM per Foot	Min. ΔP_s (Damper Full Open)				1.0" ΔP_s			1.5" ΔP_s			3.0" ΔP_s		
		Min. ΔP_s	ΔP_t	Disch. NC	Rad. NC	ΔP_t	Disch. NC	Rad. NC	ΔP_t	Disch. NC	Rad. NC	ΔP_t	Disch. NC	Rad. NC
		Basic Units												
5	75	.03	.05	-	-	1.02	-	-	1.52	-	13	3.020	13	20
	100	.05	.09	-	-	1.04	-	11	1.54	10	13	3.035	13	20
	200	.19	.33	-	-	1.14	19	19	1.64	22	22	3.142	25	24
	300	.43	.75	13	19	1.32	28	24	1.82	30	28	3.319	33	30
	350	.43	.99	14	22	1.44	28	27	1.94	30	28	3.435	34	32
6	110	.02	.04	-	-	1.02	-	13	1.52	-	17	3.020	14	24
	200	.07	.14	-	-	1.06	16	19	1.56	18	19	3.064	21	25
	300	.15	.29	-	-	1.14	20	22	1.64	24	24	3.144	30	26
	400	.27	.53	-	13	1.26	22	22	1.76	24	26	3.256	34	31
	500	.40	.80	15	19	1.40	26	27	1.94	27	28	3.400	35	33
7	140	.01	.03	-	-	1.02	-	10	1.52	-	13	3.017	15	20
	200	.02	.06	-	-	1.03	14	13	1.53	16	16	3.034	19	20
	400	.09	.23	-	-	1.14	18	20	1.64	23	23	3.136	34	31
	600	.21	.51	-	15	1.31	26	27	1.81	26	30	3.306	34	34
	700	.26	.67	-	18	1.42	22	30	1.92	26	31	3.416	33	35
8	185	.01	.03	-	-	1.02	10	14	1.52	11	15	3.018	17	20
	400	.04	.11	-	-	1.07	17	19	1.57	21	24	3.073	27	31
	600	.08	.25	-	-	1.16	19	23	1.66	25	27	3.164	35	36
	800	.14	.43	-	13	1.29	22	25	1.80	27	30	3.291	36	37
	1000	.21	.67	11	20	1.46	25	28	1.96	29	32	3.455	36	38
10	300	.01	.02	-	-	1.02	15	20	1.52	16	22	3.016	21	25
	500	.01	.06	-	-	1.05	17	21	1.54	24	27	3.045	28	34
	800	.02	.14	-	-	1.11	17	23	1.61	23	27	3.114	34	38
	1200	.05	.30	-	15	1.26	24	30	1.76	28	31	3.257	33	36
	1500	.07	.47	10	22	1.40	28	31	1.90	31	35	3.401	36	39
12	430	-	.02	-	-	1.02	17	22	1.52	19	25	3.015	22	28
	800	-	.06	-	-	1.05	15	23	1.55	23	28	3.053	34	36
	1200	.01	.13	-	-	1.12	18	24	1.62	22	28	3.119	34	36
	1800	.01	.27	-	23	1.27	22	27	1.77	27	32	3.269	34	37
	2300	.02	.45	14	31	1.44	25	30	1.94	29	33	3.439	36	40
14	600	.004	.02	-	-	1.02	17	20	1.52	23	24	3.017	28	31
	1000	.006	.05	-	-	1.05	17	22	1.55	24	27	3.046	35	35
	1600	.011	.13	-	10	1.12	19	22	1.62	24	27	3.118	35	35
	2400	.024	.29	10	25	1.27	27	30	1.76	28	35	3.265	35	38
	3100	.036	.48	21	32	1.44	31	35	1.94	34	35	3.442	38	39
16	780	.01	.02	-	-	1.02	16	21	1.57	19	25	3.018	23	43
	1600	.02	.08	-	-	1.07	17	21	1.57	22	27	3.066	35	28
	2400	.04	.19	-	19	1.15	22	28	1.65	25	31	3.148	35	37
	3600	.09	.42	24	30	1.33	31	30	1.83	25	35	3.333	37	36
	4200	.12	.57	25	35	1.45	35	36	1.95	37	36	3.453	41	43
18	1100	-	.02	-	-	1.02	16	22	1.51	19	24	3.014	25	32
	2300	.01	.07	-	-	1.06	21	27	1.56	28	30	3.063	36	39
	3600	.02	.18	16	35	1.16	25	31	1.65	30	35	3.155	38	41
	4500	.04	.28	22	38	1.24	31	39	1.74	34	40	3.241	40	44
	5500	.06	.42	31	42	1.36	36	41	1.86	38	43	3.361	42	48
24	1480	-	.01	-	-	1.01	21	32	1.51	27	37	3.011	30	46
	3200	.04	.04	-	22	1.05	22	31	1.55	27	36	3.050	37	48
	4800	.04	.09	21	38	1.11	28	35	1.61	30	37	3.112	38	45
	6000	.14	.14	28	40	1.18	33	39	1.68	35	41	3.175	40	48
	7300	.20	.21	37	47	1.26	36	41	1.76	40	46	3.260	44	48

SYMBOLS:

- PT Total Pressure H2O
- PS Static Pressure H2O
- NC Re 8db Room attenuation
- Δ Differential

ROUND DIFFUSERS



MODEL DCG ADJUSTABLE ROUND DIFFUSER

MODEL DCG - Aluminum Adjustable Round Diffuser

Airvector®'s DCG Aluminum Adjustable Round Diffusers are recommended for heating, ventilating, and cooling applications. DCG diffusers provide a 360° air diffusion pattern and excellent performance in VAV systems.

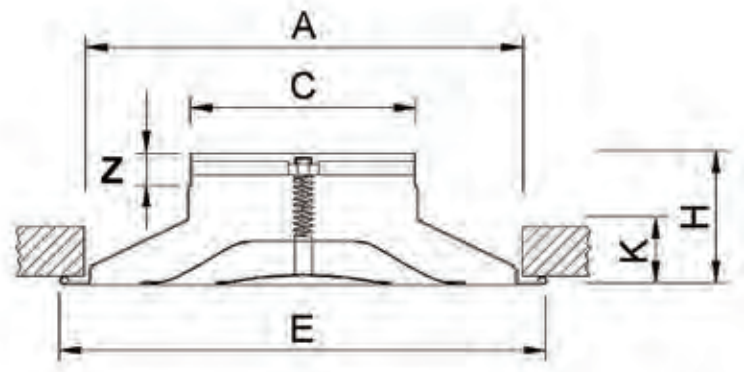
Full adjustability is possible by rotating the inner core clockwise or counterclockwise to move the cones up or down, changing from horizontal projection to vertical projection in accordance with the supply air temperature and reducing stratification. DCG diffusers provide great performance in temperatures differentials up to 54°F (12°C) and are suitable for premises with ceilings 8.5 ft (2.6 m) and higher. Original design by Lievore, Altherr & Molina for Madel.



DCG
by **MADEL**®

Highlights

- Heavy-gauge aluminum construction
- Fully adjustable
- Powder paint coating - White (Custom Finishes Avail.)
- Available in Imperial and Metric dimensions



Imperial

Listed Size	Duct Size	A (in)	C (in)	E (in)	H (in)	K (in)	Z (in)
06	6"	19 ⁵⁹ / ₆₄	5 ³ / ₄	13 ⁵ / ₁₆	4 ¹⁵ / ₁₆	1 ⁴⁷ / ₆₄	1
08	8"	15 ⁵ / ₃₂	7 ³ / ₄	16 ⁴⁷ / ₆₄	4 ¹⁷ / ₃₂	2 ⁹ / ₃₂	1
10	10"	18 ¹⁷ / ₆₄	9 ³ / ₄	19 ³ / ₈	4 ³¹ / ₆₄	2 ¹ / ₄	1
12	12"	22 ¹³ / ₆₄	11 ³ / ₄	23 ¹⁷ / ₆₄	6 ¹⁹ / ₃₂	3 ⁵ / ₃₂	1
14	14"	24 ¹³ / ₁₆	13 ²⁹ / ₃₂	26 ¹ / ₁₆	5 ³³ / ₆₄	3 ¹⁷ / ₆₄	1
16	16"	24 ¹³ / ₁₆	15 ⁴³ / ₆₄	26 ¹ / ₁₆	5 ⁵ / ₃₂	2 ⁵⁹ / ₆₄	1
18	18"	31 ⁷ / ₃₂	17 ¹⁹ / ₃₂	32 ³ / ₄	6 ¹³ / ₁₆	4 ¹¹ / ₆₄	1
20	20"	31 ⁷ / ₃₂	19 ⁹ / ₁₆	32 ³ / ₄	6 ²⁷ / ₆₄	3 ¹³ / ₁₆	1

Metric

Listed Size	Duct Size	A (mm)	C (mm)	E (mm)	H (mm)	K (mm)	Z (mm)
160	160mm	303	157	331	101	44	25
200	200mm	385	197	425	115	58	25
250	250mm	464	247	492	114	57	25
315	315mm	564	313	591	137	80	25
355	355mm	630	353	662	140	83	25
400	400mm	630	398	662	131	74	25
450	450mm	793	447	832	173	106	25
500	500mm	793	497	832	163	97	25

ENGINEERING PERFORMANCE DATA

MODEL DCG ADJUSTABLE ROUND DIFFUSER



Recommended Velocity and CFM

Neck Diameter	Free Area (sqf)	Vmin (fpm)	Vmax (fpm)	Min cfm	Max cfm
6" (160 mm)	0.215	590	1122	126	241
8" (200 mm)	0.338	590	1142	200	388
10" (250 mm)	0.527	590	886	312	468
12" (315 mm)	0.839	590	1122	491	950
14" (355 mm)	1.035	590	1220	609	1279
16" (400 mm)	1.345	590	1181	794	1606
18" (450 mm)	1.711	590	886	917	1561
20" (500 mm)	2.110	590	886	1112	1858

Isothermal Performance Data in Horizontal Flow Position

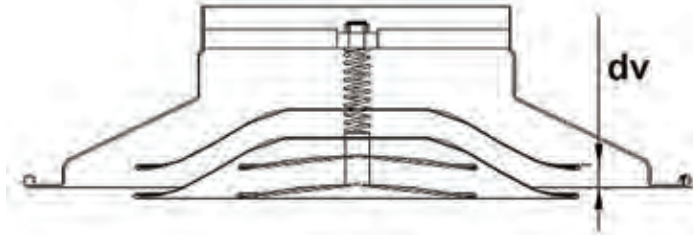
SIZE	Neck Velocity (fpm)	400	500	600	700	800	1000	1200	1400	1600
	Velocity Pressure (in H ₂ O)	.010	.016	.023	.031	.040	.063	.090	.122	.160
6" 160 mm	CFM	79	98	118	137	157	196	236	275	314
	Pressure Loss (in wg.)	.032	.044	.060	.080	.104	.153	.241	.301	.402
	NC	< 15	< 15	< 20	20	< 20	30	< 35	> 35	> 35
	Throw - Radius (ft)	4	5	6	9	11	13	17	20	25
8" 200 mm	CFM	140	175	209	244	279	349	419	489	559
	Pressure Loss (in wg.)	.028	.036	.056	.072	.096	.149	.209	.281	.361
	NC	< 15	< 15	< 20	30	< 35	< 35	35	> 35	> 35
	Throw - Radius (ft)	5	7	9	11	12	14	17	19	22
10" 250 mm	CFM	218	273	327	382	436	545	654	764	873
	Pressure Loss (in wg.)	.040	.060	.092	.120	.161	.249	.402	.602	-
	NC	< 15	< 15	< 20	< 25	< 30	35	> 35	> 35	-
	Throw - Radius (ft)	7	9	11	13	15	20	25	33	-
12" 315 mm	CFM	314	393	471	550	628	785	942	1100	1257
	Pressure Loss (in wg.)	.040	.056	.096	.129	.201	.309	.482	.703	-
	NC	< 15	< 20	< 30	30	< 40	> 40	> 40	> 40	-
	Throw - Radius (ft)	11	12	14	16	17	19	22	-	-
14" 355 mm	CFM	428	535	641	748	855	1069	1283	1497	1710
	Pressure Loss (in wg.)	.032	.052	.072	.108	.149	.221	.361	.482	.602
	NC	< 15	20	25	< 30	< 35	< 40	> 40	> 40	> 40
	Throw - Radius (ft)	10	12	15	17	18	21	26	27	-
16" 400 mm	CFM	559	698	838	977	1117	1396	1676	1955	2234
	Pressure Loss (in wg.)	.044	.072	.108	.129	.145	.241	.321	.462	.562
	NC	< 15	< 25	< 30	< 35	35	> 40	> 40	> 40	> 40
	Throw - Radius (ft)	11	14	15	16	17	19	21	-	-
18" 450 mm	CFM	707	884	1060	1237	1414	1767	2121	2474	-
	Pressure Loss (in wg.)	.052	.064	.116	.157	.221	.361	.542	.803	-
	NC	< 20	< 25	< 30	< 35	< 40	> 40	> 40	> 40	-
	Throw - Radius (ft)	13	15	17	18	19	22	25	-	-
20" 500 mm	CFM	873	1091	1309	1527	1745	2182	2618	-	-
	Pressure Loss (in wg.)	.039	.060	.080	.100	.141	.233	.321	-	-
	NC	25	< 3	< 35	35	< 40	> 40	> 40	-	-
	Throw - Radius (ft)	13	15	17	19	21	25	29	-	-
Downward Projection of Heated Air (in ft)	10 Degrees F Diff.	6 - 6	8 - 8	10 - 12	13 - 15	15 - 19	19 - 25	21 - 32	25 - 38	27 - 40
	20 Degrees F Diff.	4 - 4	6 - 7	7 - 8	9 - 11	10 - 14	13 - 18	15 - 17	17 - 25	19 - 29
	30 Degrees F Diff.	3 - 3	5 - 5	6 - 7	7 - 9	9 - 11	11 - 15	13 - 18	14 - 20	15 - 24
	40 Degrees F Diff.	3 - 2	4 - 4	5 - 6	7 - 8	8 - 10	10 - 13	11 - 16	12 - 18	14 - 20

Performance Notes

- NC value based on 10 db room attenuation
- Throw values are based on isothermal air and terminal velocity of 40 fpm
- For exposed duct application, multiply throw values by 0.7
- Downward Projection of Heated Air values represent the distance to a total air velocity of essentially zero. The two values are for 6" neck and 12" neck. In horizontal position.

ENGINEERING PERFORMANCE DATA

Vertical Flow Adjustment



SIZE	Neck Velocity (fpm)	400	500	600	700	800	1000	1200	1400	1600
6" 160 mm	CFM	79	98	118	137	157	196	236	275	314
	dv = 13/64" (5 mm)	5 - x	7 - x	9 - x	11 - x	12 - 5	16 - 8	20 - 10	23 - 11	28 - 13
	dv = 5/16" (8 mm)	8 - x	10 - x	12 - 5	15 - 7	18 - 9	22 - 11	28 - 13	33 - 16	x - 19
	dv = 19/32" (15 mm)	12 - x	15 - 7	17 - 9	22 - 11	25 - 13	32 - 16	x - 19	x - 23	x - 28
8" 200 mm	CFM	140	175	209	244	279	349	419	489	559
	dv = 5/16" (8 mm)	9 - 3	11 - 5	12 - 7	13 - 8	14 - 9	17 - 10	19 - 11	x - 13	x - 14
	dv = 25/64" (10 mm)	12 - 7	14 - 8	16 - 9	17 - 11	18 - 11	22 - 13	25 - 15	x - 17	x - 18
	dv = 29/32" (23 mm)	16 - 10	19 - 11	21 - 13	24 - 14	25 - 15	31 - 18	33 - 20	x - 23	x - 25
10" 250 mm	CFM	218	273	327	382	436	545	654	764	873
	dv = 13/64" (5 mm)	11 - x	12 - 5	14 - 7	16 - 8	18 - 9	21 - 11	x - 13	x - 15	x - 18
	dv = 25/64" (10 mm)	15 - 7	17 - 9	20 - 11	22 - 12	25 - 13	30 - 15	x - 19	x - 22	x - 25
	dv = 45/64" (18 mm)	19 - 10	22 - 11	25 - 14	28 - 15	32 - 16	x - 20	x - 23	x - 28	x - 31
12" 315 mm	CFM	314	393	471	550	628	785	942	-	-
	dv = 33/64" (13 mm)	11 - 6	14 - 7	18 - 10	21 - 13	28 - 16	x - 19	x - 25	-	-
	dv = 25/32" (20 mm)	16 - 8	19 - 10	25 - 14	30 - 17	38 - 21	x - 27	x - 36	-	-
	dv = 1 1/16" (27 mm)	21 - 12	26 - 15	36 - 19	41 - 23	54 - 28	x - 38	x - 51	-	-
14" 355 mm	CFM	428	535	641	748	855	1069	1283	1497	-
	dv = 25/64" (10 mm)	7 - 3	9 - 6	12 - 8	15 - 9	18 - 11	21 - 15	30 - 19	x - 21	-
	dv = 19/32" (15 mm)	11 - 6	15 - 10	19 - 13	23 - 15	29 - 18	36 - 22	51 - 31	x - 36	-
	dv = 29/32" (23 mm)	18 - 10	22 - 15	30 - 19	36 - 23	44 - 27	59 - 35	x - 49	x - 56	-
16" 400 mm	CFM	559	698	838	977	1117	1396	1676	1955	-
	dv = 13/64" (5 mm)	13 - 9	16 - 11	20 - 13	21 - 15	25 - 16	28 - 19	x - 23	x - 26	-
	dv = 5/16" (8 mm)	18 - 12	22 - 16	27 - 18	30 - 20	x - 22	x - 28	x - 33	-	-
	dv = 35/64" (14 mm)	24 - 16	31 - 21	x - 24	x - 27	x - 30	-	-	-	-
18" 450 mm	CFM	707	884	1060	1237	1414	1767	2121	2474	-
	dv = 45/64" (18 mm)	17 - 10	20 - 11	22 - 13	25 - 15	28 - 17	x - 20	x - 22	x - 25	-
	dv = 63/64" (25 mm)	24 - 14	27 - 16	31 - 18	x - 20	x - 23	x - 27	x - 31	-	-
	dv = 1 3/8" (35 mm)	29 - 17	32 - 19	x - 22	x - 25	x - 27	x - 32	-	-	-
20" 500 mm	CFM	873	1091	1309	1527	17465	2182	2618	-	-
	dv = 45/64" (18 mm)	12 - 8	15 - 10	17 - 11	19 - 12	21 - 14	x - 16	x - 19	-	-
	dv = 63/64" (25 mm)	15 - 10	19 - 12	21 - 13	24 - 15	27 - 17	x - 20	x - 24	-	-
	dv = 1 3/8" (35 mm)	21 - 13	26 - 16	30 - 18	33 - 20	x - 23	x - 28	x - 33	-	-

Performance Notes

- Vertical throw values (in ft) are for isothermal (first value) and for a temperature difference of 9°F (5°C) in heating mode (second value), at terminal velocity of 40 fpm.
- **dv** is the vertical adjustment of the diffuser core and is measured by the core offset towards the inside of the diffuser, compared to its original horizontal position.
- **x** means the value is not available.

How to Specify DCG Series

Supply and mounting of adjustable round diffuser series DCG, constructed from aluminum and powder coated in white M9016. Full vertical adjustability provided by rotating the core clockwise or counterclockwise. By Airvector Specialty Products/MADEL.

ENGINEERING PERFORMANCE DATA



HOW TO ORDER DCG ROUND DIFFUSERS

DCG 08

MODEL SERIES

Fully Adjustable Aluminum **DCG**

ROUND NECK

Imperial

Metric

6"	06	160 mm	160
8"	08	200 mm	200
10"	10	250 mm	250
12"	12	315 mm	315
14"	14	355 mm	355
16"	16	400 mm	400
18"	18	450 mm	450
20"	20	500 mm	500

SQUARE DIFFUSERS



MODELS DF3, DF3D, DF3I, & DA3 3 CONE DIFFUSERS

- MODEL **DF3** - Fixed horizontal pattern
- MODEL **DF3D** - Fixed horizontal pattern, 2" high collar
- MODEL **DF3I** - Fixed horizontal pattern, Insulated
- MODEL **DA3** - Adjustable horizontal pattern

Airvector's 3 Cone Supply Diffusers are recommended for heating, ventilating, and cooling. The diffusers' integrated round-neck-to-square-face construction can provide a 360° horizontal air diffusion pattern similar to a full round diffuser. The DA3 diffuser allows for independent adjustable horizontal deflection. The DF3I is supplied with R6 insulation and does not include an integrated collar. R4 and R6 are optional for DF3, DF3D, and DA3.

High diffusion induction rates result in rapid temperature and velocity equalization of the mixed air mass well above the zone of occupancy. Horizontal performance assures confident use of a cooling temperature differential of 30° and greater at a predicted low air motion of 35 fpm in the zone of occupancy. DF3 supply diffusers perform efficiently with air loadings of 6 to 30 air changes per hour (based on a 10 ft. ceiling height), and a sound level range of NC 25 to 35.

Highlights

- Heavy-gauge all-steel construction
- Powder paint coating - White (Custom Finishes Avail.)
- Matching N4 and N5 OBDs available
- OBD accessible through diffuser face

Listed Size	Neck Dia	Nominal Face Size	Overall Face Size "B"	Drywall Ceiling Opening
1206*	6	12 x 12	11 ³ / ₄ x 11 ³ / ₄	10 ¹ / ₂ x 10 ¹ / ₂
1208*	8	12 x 12	23 ³ / ₄ x 23 ³ / ₄	10 ¹ / ₂ x 10 ¹ / ₂
2406	6	24 x 24	23 ³ / ₄ x 23 ³ / ₄	22 ¹ / ₂ x 22 ¹ / ₂
2408	8	24 x 24	23 ³ / ₄ x 23 ³ / ₄	22 ¹ / ₂ x 22 ¹ / ₂
2410	10	24 x 24	23 ³ / ₄ x 23 ³ / ₄	22 ¹ / ₂ x 22 ¹ / ₂
2412	12	24 x 24	23 ³ / ₄ x 23 ³ / ₄	22 ¹ / ₂ x 22 ¹ / ₂
2414*	14	24 x 24	23 ³ / ₄ x 23 ³ / ₄	22 ¹ / ₂ x 22 ¹ / ₂

* Only available with DF3 and DA3

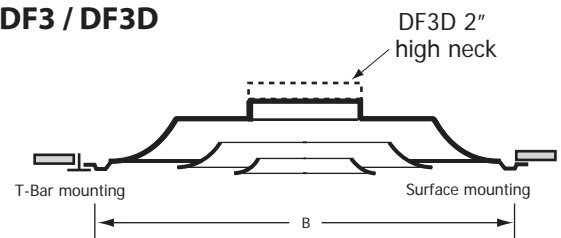


DF3

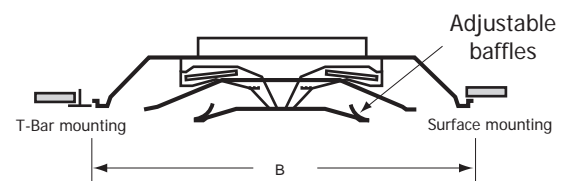
HANDY FEATURES

- One standard model suits both T-Bar and Drywall installations using rigid ducts
- Compatible with Airvector's exclusive Easy Install PF frame
- Core is easily removable without tools to facilitate access to duct.

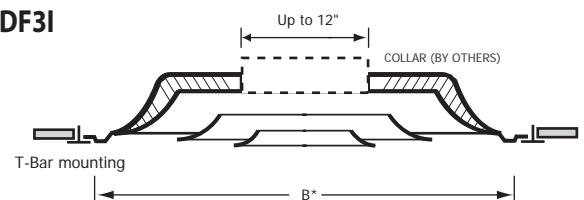
DF3 / DF3D



DA3



DF3I



DATA SHEET

ENGINEERING PERFORMANCE DATA

MODELS DF3, DF3D, DF3I, & DA3 3 CONE



12" x 12" face

SIZE (inches)	Neck Velocity (fpm)	400	500	600	700	800	1000	1200	1400	1600
	Velocity Pressure (in H ₂ O)	.010	.016	.022	.031	.041	.062	.090	.122	.160
6	CFM	78	98	118	137	157	196	235	274	313
	Total Pressure	.02	.03	.04	.06	.07	.10	.16	.22	.29
	NC	< 20	< 20	< 20	< 20	< 20	25	29	34	40
	Throw (ft)	2-3-6	3-4-7	4-5-9	4-5-10	5-6-11	6-8-12	7-9-13	8-10-15	9-11-16
8	CFM	140	175	209	244	279	349	419	489	559
	Total Pressure	.03	.04	.06	.07	.09	.14	.20	.28	.38
	NC	< 20	< 20	< 20	< 20	< 20	29	35	41	45
	Throw (ft)	2-4-7	3-5-9	4-7-10	5-8-11	6-9-12	7-10-14	8-12-17	10-12-18	11-14-20

24" x 24" face

SIZE (inches)	Neck Velocity (fpm)	400	500	600	700	800	1000	1200	1400	1600
	Velocity Pressure (in H ₂ O)	.010	.016	.022	.031	.041	.062	.090	.122	.160
6	CFM	78	98	118	137	157	196	235	274	313
	Total Pressure	.02	.03	.04	.05	.07	.10	.14	.19	.24
	NC	< 20	< 20	< 20	< 20	< 20	22	28	32	36
	Throw (ft)	1-2-4	1-3-4	2-3-5	2-3-6	3-4-7	4-6-8	5-7-10	6-9-11	7-9-12
8	CFM	140	175	209	244	279	349	419	489	559
	Total Pressure	.02	.03	.04	.05	.08	.10	.15	.20	.25
	NC	< 20	< 20	< 20	< 20	< 20	26	31	36	41
	Throw (ft)	2-3-5	2-3-7	3-4-8	3-5-8	4-6-9	5-7-11	6-9-13	7-10-14	8-11-17
10	CFM	218	273	327	382	436	545	654	763	872
	Total Pressure	.02	.03	.04	.05	.08	.12	.17	.24	.30
	NC	< 20	< 20	< 20	< 20	22	29	34	38	43
	Throw (ft)	3-4-6	4-5-8	4-6-10	5-7-12	6-8-14	7-9-15	8-11-16	9-12-17	10-13-19
12	CFM	314	393	471	550	628	785	941	1099	1246
	Total Pressure	.02	.04	.05	.07	.09	.14	.20	.27	.36
	NC	< 20	< 20	< 20	20	23	39	36	41	46
	Throw (ft)	4-5-9	5-6-10	6-7-11	6-8-13	7-9-15	8-11-18	10-13-21	12-16-22	13-18-21
14	CFM	492>	615	738	861	984	1230	1476	1722	1968
	Total Pressure	.03	.04	.06	.08	.10	.18	.23	.30	.40
	NC	< 20	< 20	< 20	21	25	33	38	43	48
	Throw (ft)	4-6-10	5-6-11	6-8-14	7-10-16	8-11-18	10-14-20	12-16-22	14-19-24	15-20-26

NC Value based on 10 db room attenuation.

Throw Values are based on isothermal air and terminal velocities of 150 fpm, 100 fpm & 75 fpm respectively.
Total Pressure the sum of static pressure plus velocity pressure and is given in inches w.g.

HOW TO ORDER DF3 & DF4 SERIES

DF3-R4-S-W3 2408 /W

MODEL SERIES

- 3 Cone Fixed **DF3**
- 3 Cone Fixed, 2" Neck, **DF3D**
- ... Single-Box
- 3 Cone Adjustable **DA3**
- 4 Cone Fixed **DF4**
- 4 Cone Fixed, 2" Neck, **DF4D**
- ... Single-Box
- 4 Cone Adjustable **DA4**

FINISH (OPTIONAL)
Standard is White (**/W**)
See chart for more

NECK DIAMETER
In Inches
06-08-10-12-14"

FACE DIMENSIONS
12" x 12" **12**
24" x 24" **24**

DIRECTION (OPTIONAL)
Standard is 4 Way

- 1 Way **-W1**
- 2 Way Corner **-WC**
- 2 Way Opposed **-WO**
- 3 Way **-W3**

INSULATION (OPTIONAL)
Standard is uninsulated

- R4.2 Taped Insulation **-R4**
- R6 Taped Insulation **-R6**

PACKAGING (OPTIONAL)
Standard is 2 per box

- Single Box **-S**

HOW TO ORDER DF3I & DF4I

DF3I-S /W

MODEL SERIES

- 3 Cone **DF3I**
- 4 Cone **DF4I**

PACKAGING (OPTIONAL)
Standard is 2 per box

- Single Box **-S**

FINISH (OPTIONAL)
Standard is White (**/W**)
See chart for more

SQUARE DIFFUSERS



MODELS DF4, DF4D, DF4I, & DA4 4 CONE DIFFUSERS

MODEL DF4 - Fixed horizontal pattern

MODEL DF4D - Fixed horizontal pattern, 2" high collar

MODEL DF4I - Fixed horizontal pattern, Insulated

MODEL DA4 - Adjustable horizontal pattern

Airvector's 4 Cone Supply Diffusers are recommended for heating, ventilating, and cooling. The DF4, DF4D, and DA4 integrated round-neck-to-square-face construction provides a 360° horizontal air diffusion pattern similar to a full round diffuser. The DA4 diffuser allows independent adjustable horizontal deflection. The DF4I is supplied with R6 insulation and does not include an integrated collar. R4 and R6 are optional for DF4, DF4D, and DA4.

High diffusion induction rates result in rapid temperature and velocity equalization of the mixed air mass well above the zone of occupancy. Horizontal performances assure confident use of cooling temperature of 30°F and greater at predicted low air motion of 35 fpm in the zone of occupancy. DF4 Supply Diffusers perform efficiently with air loadings of 6 to 30 air changes per hour (based on 10ft. ceiling height), and sound level range of NC 25 to 35.

FEATURES

- Full face 24" x 24" for all neck sizes. (12" x 12" face available in 3 cone only)
- Heavy-gauge all-steel construction
- DF4D available with 2" high neck
- Powder paint coating - White (Custom finishes avail.)
- Matching N4 and N5 OBDs available
- Screw driver adjustment of OBD through diffuser face.

Listed Size	Neck Dia	Nominal Face Size	Overall Face Size "B"	Drywall Ceiling Opening
2406	6	24 x 24	23 ³ / ₄ x 23 ³ / ₄	22 ¹ / ₂ x 22 ¹ / ₂
2408	8	24 x 24	23 ³ / ₄ x 23 ³ / ₄	22 ¹ / ₂ x 22 ¹ / ₂
2410	10	24 x 24	23 ³ / ₄ x 23 ³ / ₄	22 ¹ / ₂ x 22 ¹ / ₂
2412	12	24 x 24	23 ³ / ₄ x 23 ³ / ₄	22 ¹ / ₂ x 22 ¹ / ₂
2414*	14	24 x 24	23 ³ / ₄ x 23 ³ / ₄	22 ¹ / ₂ x 22 ¹ / ₂

* Only available with DF4 and DA4

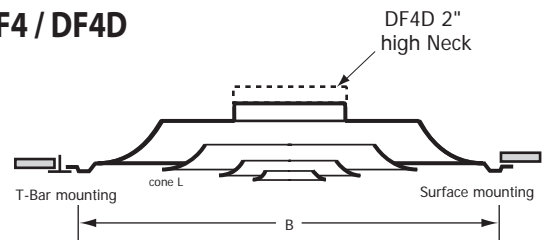


DF4

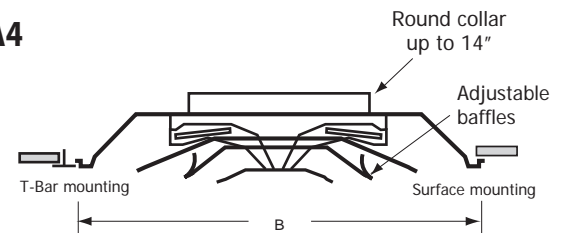
HANDY FEATURES:

- Compatible with Airvector's exclusive Easy Install Plaster Frame - model PF.
- Core is easily removable without tools to facilitate access to duct
- One standard model suits both T-Bar and Drywall installations using rigid ducts

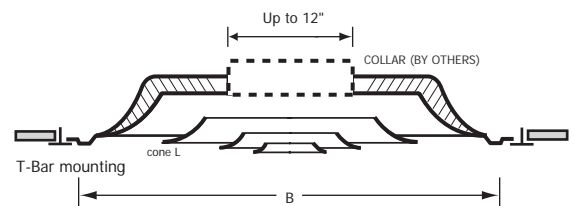
DF4 / DF4D



DA4



DF4I



ENGINEERING PERFORMANCE DATA

MODEL DF4, DF4D, DA4, & DF4I

4 CONE



24" x 24" face

SIZE (inches)	Neck Velocity (fpm)	400	500	600	700	800	1000	1200	1400	1600
	Velocity Pressure (in H ₂ O)	.010	.016	.022	.031	.041	.062	.090	.122	.160
6	CFM	78	98	118	137	157	196	235	274	313
	Total Pressure	.02	.03	.04	.05	.07	.10	.14	.19	.24
	NC	< 20	< 20	< 20	< 20	< 20	22	28	32	36
	Throw (ft)	1-2-4	1-3-4	2-3-5	2-3-6	3-4-7	4-6-8	5-7-10	6-9-11	7-9-12
8	CFM	140	175	209	244	279	349	419	489	559
	Total Pressure	.02	.03	.04	.05	.08	.10	.15	.20	.25
	NC	< 20	< 20	< 20	< 20	< 20	26	31	36	41
	Throw (ft)	2-3-5	2-3-7	3-4-8	3-5-8	4-6-9	5-7-11	6-9-13	7-10-14	8-11-17
10	CFM	218	273	327	382	436	545	654	763	872
	Total Pressure	.02	.03	.04	.05	.08	.12	.17	.24	.30
	NC	< 20	< 20	< 20	< 20	< 20	29	34	38	43
	Throw (ft)	3-4-6	4-5-8	4-6-10	5-7-12	6-8-14	7-9-15	8-11-16	9-12-17	10-13-19
12	CFM	314	393	471	550	628	785	941	1099	1246
	Total Pressure	.02	.04	.05	.07	.09	.14	.20	.27	.36
	NC	< 20	< 20	< 20	20	23	39	36	41	46
	Throw (ft)	4-5-9	5-6-10	6-7-11	6-8-13	7-9-15	8-11-18	10-13-21	12-16-22	13-18-21
14	CFM	492	615	738	861	984	1230	1476	1722	1968
	Total Pressure	.03	.04	.06	.08	.10	.18	.23	.30	.40
	NC	< 20	< 20	< 20	21	25	33	38	43	48
	Throw (ft)	4-6-10	5-6-11	6-8-14	7-10-16	8-11-18	10-14-20	12-16-22	14-19-24	15-20-26

NC Value based on 10 db room attenuation.

Throw Values are based on isothermal air and terminal velocities of 150 fpm, 100 fpm & 75 fpm respectively.

Total Pressure the sum of static pressure plus velocity pressure and is given in inches w.g.

HOW TO ORDER DF3 & DF4 SERIES

DF4-R4-S-W3 2408 /W

MODEL SERIES

- 3 Cone Fixed **DF3**
- 3 Cone Fixed, 2" Neck, ... Single-Box **DF3D**
- 3 Cone Adjustable **DA3**
- 4 Cone Fixed **DF4**
- 4 Cone Fixed, 2" Neck, ... Single-Box **DF4D**
- 4 Cone Adjustable **DA4**

INSULATION (OPTIONAL)

- Standard is uninsulated
- R4.2 Taped Insulation **-R4**
- R6 Taped Insulation **-R6**

PACKAGING (OPTIONAL)

- Standard is 2 per box
- Single Box **-S**

FINISH (OPTIONAL)
Standard is White (**/W**)
See chart for more

NECK DIAMETER
In Inches
06-08-10-12-14"

FACE DIMENSIONS
12" x 12" **12**
24" x 24" **24**

DIRECTION (OPTIONAL)
Standard is 4 Way

- 1 Way **-W1**
- 2 Way Corner **-WC**
- 2 Way Opposed **-WO**
- 3 Way **-W3**

HOW TO ORDER DF4I & DF3I

DF4I-S /W

MODEL SERIES

- 3 Cone **DF3I**
- 4 Cone **DF4I**

PACKAGING (OPTIONAL)

- Standard is 2 per box
- Single Box **-S**

FINISH (OPTIONAL)
Standard is White (**/W**)
See chart for more

SERIES DLA, DLAM & DLAI



MODEL SERIES DLA, DLAM & DLAI

Aluminum Louvered Face Diffusers Fixed Directional Pattern, High Capacity

DLA aluminum supply diffusers are recommended for heating, ventilating and cooling.

Designed for high capacity, Airvector®'s Model Series DLA can supply large volumes of air at low sound levels and pressure drops. DLA directional diffusers are offered in all standard square dimensions with a variety of cores to provide any required air pattern.

DLA Series feature a square neck, **DLAM** Series feature a round neck and **DLAI** Series feature an R6 insulated back, pre-scored for 6"-14" round collars.

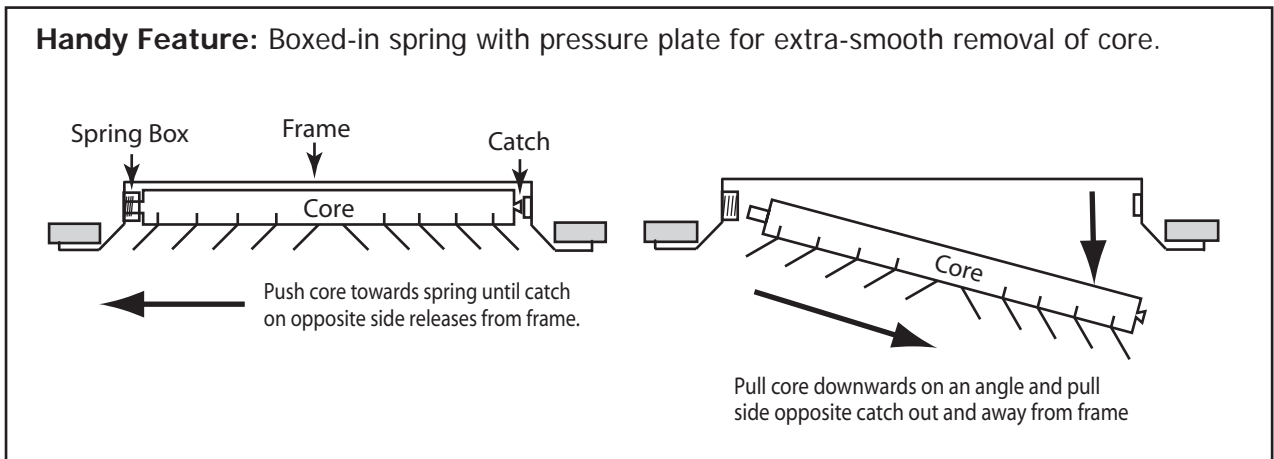
Core is removable to facilitate access to duct.



DLA

FEATURES

- Full Face 12"x12", 15"x15", 18"x18", 21"x21" and 24"x24"
- 1 Way, 2 Way Opposed, 2 Way Corner, 3 Way or 4 Way
- Commercial-grade aluminum construction
- Core can be easily removed without tools
- Ideal for VAV systems
- Powder paint coating - White



Directional Patterns					
W1	1 Way	WC	2 Way Corner	WO	2 Way Opposed
				W3	3 Way
				W4	4 Way

DATA SHEET

SERIES DLA, DLAM & DLAI

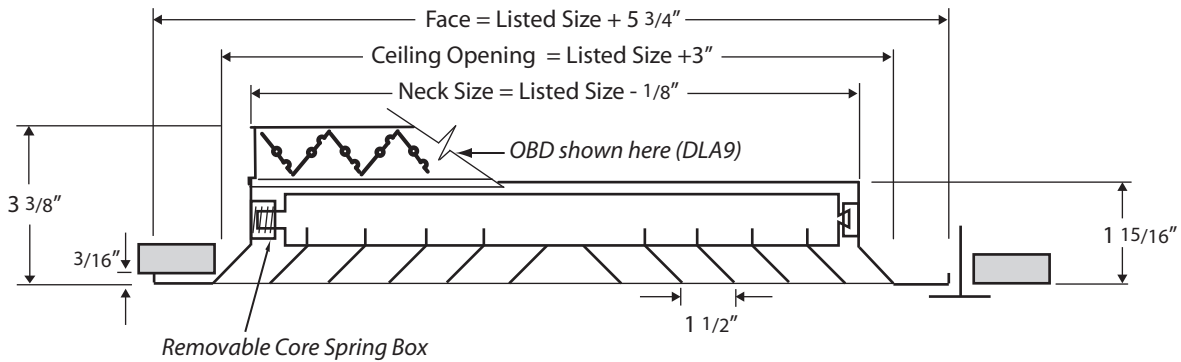


Border Types		Mounting		
F Flat Frame	B Beveled Frame	0 Lay-In	1 Screw Holes	4 Concealed
	 N/A for DLAI		 N/A for DLAI or Beveled Frame	 N/A for DLAI

MODEL SERIES DLA

MODEL DLA Square Neck

MODEL DLA9 Square Neck With Aluminum Opposed Blade Damper (N9)



HANDY FEATURE: One standard model suits both T-Bar and Drywall installations using rigid ducting.

HOW TO ORDER

DLA-F-0-W4 1818 /W

MODEL SERIES Square Neck DLA Square Neck w/ OBD DLA9	FINISH (OPTIONAL) Standard is White (/W) See chart for more
BORDER TYPE (OPTIONAL) Standard is flat frame Flat Frame -F Beveled Frame -B	DUCT DIMENSIONS 6" x 6" 0606 9" x 9" 0909 12" x 12" 1212 15" x 15" 1515 18" x 18" 1818
MOUNTING (OPTIONAL) Standard is Lay-In Lay-In -0 Screw Holes -1 Concealed -4	DIRECTION (OPTIONAL) Standard is 4 Way 1 Way -W1 2 Way Corner -WC 2 Way Opposed -W0 3 Way -W3 4 Way -W4

DATA SHEET

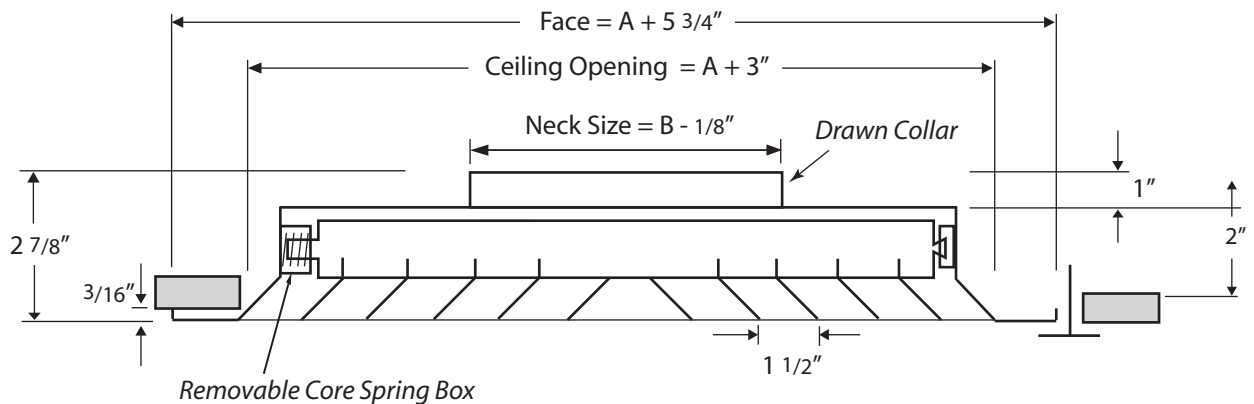
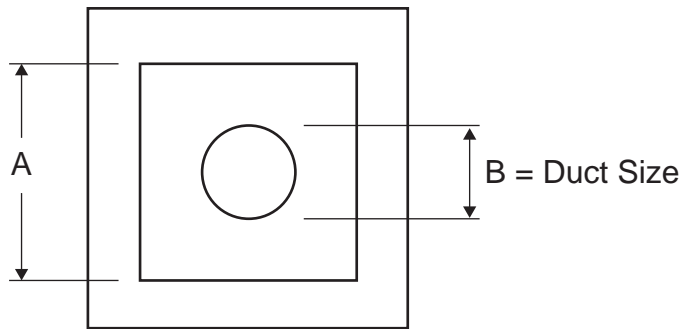
202

MODEL SERIES DLAM

MODEL **DLAM** Round Neck

MODEL **DLAM4** Round Neck With Radial Opposed Blade Damper (N4)

MODEL **DLAM5** Round Neck With Radial Sliding Blade Damper (N5)



HANDY FEATURE: One standard model suits both T-Bar and Drywall installations using rigid ducting.

HOW TO ORDER

DLAM-F-0-W4 1818 08 /W

MODEL SERIES	Round Neck, No Damper	DLAM
	With N4 OBD	DLAM4
	With N5 Radial Damper	DLAM5

BORDER TYPE (OPTIONAL)
Standard is flat frame

Flat Frame	-F
Beveled Frame	-B

MOUNTING (OPTIONAL)
Standard is Lay-In

Lay-In	-0
Screw Holes	-1
Concealed	-4

DIRECTION (OPTIONAL)
Standard is 4 Way

1 Way	-W1
2 Way Corner	-WC
2 Way Opposed	-W0
3 Way	-W3

SQUARE TO ROUND NECK DIAMETER

6"	06
8"	08
10"	10
12"	12
14"	14
16"	16

SQUARE NECK DIMENSIONS

6" x 6"	0606
9" x 9"	0909
12" x 12"	1212
15" x 15"	1515
18" x 18"	1818

FINISH (OPTIONAL)
Standard is White (/W)
See chart for more

Dampers Available

DLAM4 With Radial Opposed Blade Damper

DLAM5 With Radial Sliding Blade Damper

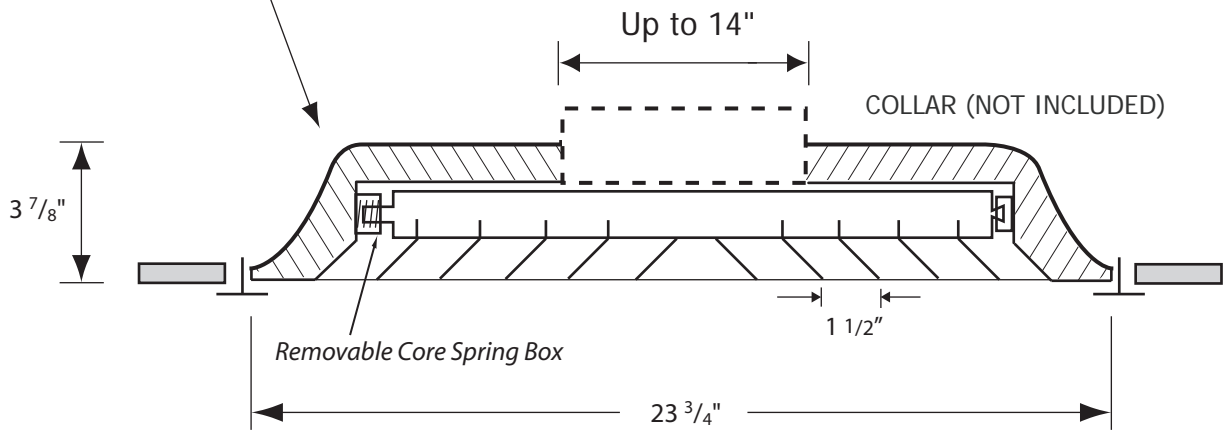
DATA SHEET

MODEL SERIES DLAI

MODEL DLAI R6 Molded Fiberglass Insulated Back, Pre-Scored for Collars 6"-14"

R6 fiberglass back complies with A.S.T.M. E84 flame and smoke test.

Scored for collar sizes up to 14" D. Contractor to install job-specific collar in field.



HOW TO ORDER

DLAI-W4 /W





















MODEL SERIES
24"x24", R6 Insulated **DLAI**

FINISH (OPTIONAL)
Standard is White (**/W**)
See chart for more

DIRECTION (OPTIONAL)
Standard is 4 Way

- 1 Way **-W1**
- 2 Way Corner **-WC**
- 2 Way Opposed **-W0**
- 3 Way **-W3**
- 4 Way **-W4**

TABLE 1 - PERFORMANCE DATA - SQUARE NECK

Duct Size Blow Pattern	Neck Velocity Velocity Press. Total Press.	300 .006 .030	400 .010 .051	500 .016 .080	600 .022 .118	700 .031 .160	800 .040 .210	900 .050 .260	
6" .25 SQ. FT.	Total CFM NC	75 -	100 -	125 17	150 22	175 26	200 31	225 34	
		A B	A B	A B	A B	A B	A B	A B	
	 A	CFM/Side Throw (ft)	19 4-5-8	25 5-6-9	31 6-8-10	37 6-8-11	44 8-9-12	50 8-9-12	56 9-10-13
	 A	CFM/Side Throw (ft)	19 28 4-5-8 5-8-11	25 38 5-6-9 5-6-9	31 47 6-8-10 8-10-14	38 56 6-8-11 8-11-15	44 66 8-9-12 9-12-16	50 75 8-9-12 9-12-17	56 84 9-10-13 10-13-18
	 A	CFM/Side Throw (ft)	38 8-9-12	50 9-10-14	62 10-11-16	75 11-12-17	88 12-13-18	100 12-14-19	113 13-15-22
 A	CFM/Side Throw (ft)	75 9-11-15	100 10-12-17	125 11-14-19	150 12-15-22	175 13-16-22	200 14-17-24	225 15-18-25	
9" .56 SQ. FT.	Total CFM NC	170 -	225 -	280 20	340 26	395 31	450 35	505 38	
		A B	A B	A B	A B	A B	A B	A B	
	 A	CFM/Side Throw (ft)	42 5-6-10	56 6-8-11	70 8-9-12	84 8-10-13	98 9-10-14	113 9-11-15	126 10-12-16
	 A	CFM/Side Throw (ft)	42 63 5-6-10 8-10-13	56 85 6-8-11 9-11-15	70 106 8-9-12 10-12-17	84 127 8-10-13 11-13-18	98 148 9-10-14 12-14-19	112 169 9-11-15 12-15-22	126 190 10-12-16 13-16-22
	 A	CFM/Side Throw (ft)	84 9-10-15	112 11-13-18	141 12-15-20	169 13-16-22	197 14-17-23	225 15-18-25	253 16-19-28
 A	CFM/Side Throw (ft)	169 12-15-20	225 14-17-23	282 16-19-26	338 17-22-29	394 18-22-31	450 19-24-33	507 22-25-35	
12" 1.0 SQ. FT.	Total CFM NC	300 -	400 17	500 23	600 28	700 32	800 35	900 38	
		A B	A B	A B	A B	A B	A B	A B	
	 A	CFM/Side Throw (ft)	75 6-9-11	100 8-10-13	125 9-11-15	150 10-12-16	175 10-13-17	200 11-14-18	225 12-15-19
	 A	CFM/Side Throw (ft)	75 113 6-9-11 9-11-15	100 150 8-10-13 10-12-17	125 187 9-11-15 11-14-19	150 225 10-12-16 12-15-22	175 263 10-13-17 13-16-22	200 300 11-14-18 14-17-24	225 338 12-15-19 15-18-25
	 A	CFM/Side Throw (ft)	150 11-13-18	200 13-15-22	250 15-17-24	300 16-18-26	350 17-19-28	400 18-22-30	450 19-22-32
 A	CFM/Side Throw (ft)	300 14-17-24	400 16-19-28	500 18-22-32	600 19-23-34	700 22-25-36	800 23-27-38	900 24-29-41	
15" 1.56 SQ. FT.	Total CFM NC	465 -	625 19	780 25	935 29	1090 33	1250 37	1400 41	
		A B	A B	A B	A B	A B	A B	A B	
	 A	CFM/Side Throw (ft)	117 8-10-13	156 9-11-15	195 10-12-17	234 11-13-18	273 12-14-19	313 12-15-22	351 13-16-24
	 A	CFM/Side Throw (ft)	117 176 8-10-13 11-13-18	156 234 9-11-15 13-15-22	195 292 10-12-17 15-17-24	234 352 11-13-18 16-18-26	273 410 12-14-19 17-19-28	313 469 12-15-22 18-22-30	351 527 13-16-24 19-22-32
	 A	CFM/Side Throw (ft)	234 13-16-22	313 15-18-25	390 17-20-29	468 18-22-32	546 19-23-34	625 22-25-36	701 22-28-38
 A	CFM/Side Throw (ft)	468 16-19-28	625 18-22-32	780 20-25-36	936 22-28-39	1092 23-30-42	1250 25-32-44	1405 28-34-47	
18" 2.25 SQ. FT.	Total CFM NC	675 12	900 20	1125 27	1350 31	1575 35	1800 39	2025 42	
		A B	A B	A B	A B	A B	A B	A B	
	 A	CFM/Side Throw (ft)	168 9-11-15	225 10-12-17	281 11-14-19	337 12-15-21	394 13-16-22	450 14-17-24	506 15-18-25
	 A	CFM/Side Throw (ft)	168 253 9-11-15 12-15-20	225 338 10-12-17 9-11-15	281 422 11-14-19 16-19-26	337 506 12-15-21 17-22-29	394 591 13-16-22 18-22-31	450 675 14-17-24 19-24-33	506 758 15-18-25 22-25-35
	 A	CFM/Side Throw (ft)	337 14-17-24	450 16-19-28	562 18-22-32	675 19-23-34	787 22-25-36	900 22-26-39	1013 24-29-41
 A	CFM/Side Throw (ft)	675 17-22-30	900 20-24-34	1125 23-28-39	1350 24-30-41	1575 26-32-44	1800 29-35-47	2025 31-37-50	

Throw values for terminal velocities of
150 fpm, 100 fpm and 50 fpm

Neck Velocity (fpm)
Velocity Pressure (inches of water)
Total Pressure (inches of water)
NC Values based on 10 db room attenuation

DATA SHEET

TABLE 2 - PERFORMANCE CORRECTIONS SQUARE-TO-ROUND NECK


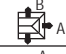

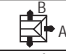



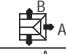


Square Inlet	Round Inlet	NC (add)	TP (multiply)	Throw (Multiply)		
				150	100	50
9" x 9"	6"	17	3.50	1.15	1.15	1.20
9" x 9"	8"	4	1.40	1.10	1.10	1.10
12" x 12"	8"	17	3.50	1.15	1.15	1.20
12" x 12"	10"	7	1.65	1.10	1.10	1.15
15" x 15"	10"	17	3.50	1.15	1.15	1.20
15" x 15"	12"	9	1.90	1.10	1.10	1.15
15" x 15"	14"	3	1.25	1.05	1.05	1.10
18" x 18"	12"	17	3.50	1.15	1.15	1.20
18" x 18"	14"	10	2.00	1.10	1.10	1.15
18" x 18"	16"	5	1.45	1.10	1.10	1.10

PERFORMANCE CORRECTIONS FOR RETURN AIR APPLICATIONS

Negative Static Pressure Add 10% to Total Pressure listed for supply.

Noise Criteria Add 1 to NC.

TABLE 1 - PERFORMANCE DATA - SQUARE NECK - INDUCTION VANES

Duct Size Blow Pattern	Neck Velocity Velocity Press. Total Press.	100 0.001 0.003	200 0.002 0.0012	300 0.006 0.030	400 0.010 0.051	500 0.016 0.080	600 0.022 0.118	700 0.031 0.160	800 0.040 0.210	900 0.050 0.260	
6" .25 SQ. FT.	Total CFM	25	50	75	100	125	150	175	200	225	
	NC	-	-	-	-	16	21	26	35	39	
		A	B	A	B	A	B	A	B	A	B
	 A	CFM/Side Throw (ft)	6.3 1-2-2	12.6 2-2-4	19 3-4-6	25 3-5-8	31 4-6-8	37 4-6-9	44 5-7-10	50 6-7-11	56 7-8-11
	 B	CFM/Side Throw (ft)	6 1-1-2	9 2-2-3	13 2-2-4	19 2-3-5	28 3-4-6	31 3-4-7	47 4-5-10	56 5-6-12	84 6-8-15
9" .56 SQ. FT.	Total CFM	56	112	170	225	280	340	395	450	505	
	NC	-	-	-	13	18	24	29	39	42	
		A	B	A	B	A	B	A	B	A	B
	 A	CFM/Side Throw (ft)	14 2-2-3	28 2-3-5	43 3-5-8	56 4-5-9	70 4-6-11	84 5-8-13	98 6-9-15	112 7-10-14	126 8-11-14
	 B	CFM/Side Throw (ft)	14 2-2-3	21 2-2-4	28 2-3-5	42 3-4-7	63 3-4-7	85 4-5-9	106 5-7-12	148 6-8-15	190 7-9-18
12" 1.0 SQ. FT.	Total CFM	100	200	300	400	500	600	700	800	900	
	NC	-	-	-	14	21	27	33	40	43	
		A	B	A	B	A	B	A	B	A	B
	 A	CFM/Side Throw (ft)	25 2-2-4	50 3-4-7	75 4-5-10	100 5-7-12	125 6-8-15	150 7-10-19	175 8-11-20	200 10-12-20	225 12-14-21
	 B	CFM/Side Throw (ft)	25 2-2-4	38 2-3-5	50 3-4-7	75 3-5-8	112 4-5-10	150 5-6-12	200 6-8-16	225 7-10-19	338 8-12-23
15" 1.56 SQ. FT.	Total CFM	156	315	465	625	780	935	1090	1250	1400	
	NC	14	23	14	23	29	34	37	43	45	
		A	B	A	B	A	B	A	B	A	B
	 A	CFM/Side Throw (ft)	39 2-3-5	78 3-5-8	117 4-6-12	156 6-8-16	195 7-10-19	234 8-13-22	273 9-14-25	312 11-16-26	350 13-18-32
	 B	CFM/Side Throw (ft)	39 2-3-5	59 3-3-6	78 3-5-8	117 4-6-10	175 4-6-10	234 6-8-15	292 7-10-20	409 8-12-23	527 9-13-24
18" 2.25 SQ. FT.	Total CFM	225	450	675	900	1125	1350	1575	1800	2025	
	NC	16	25	16	25	31	35	40	43	46	
		A	B	A	B	A	B	A	B	A	B
	 A	CFM/Side Throw (ft)	56 3-3-6	112 4-6-10	168 6-8-14	225 8-10-19	281 9-12-23	337 10-15-27	394 12-17-33	450 13-19-34	506 15-20-35
	 B	CFM/Side Throw (ft)	56 3-3-6	84 3-4-6	112 4-6-10	168 5-6-12	253 6-8-15	338 6-9-17	422 7-10-19	590 8-12-22	760 9-14-27

Throw values for terminal velocities of
150 fpm, 100 fpm and 50 fpm

Neck Velocity (fpm)
Velocity Pressure (inches of water)
Total Pressure (inches of water)
NC Values based on 10 db room attenuation


DATA SHEET

PERFORMANCE DATA

Nominal Size (inches)	Core Velocity (FPM) Vel. Press. (in w.g.) Total Press. (TP)	100	200	300	400	500	600	700
		.001 .003	.002 .0012	.006 .026	.010 .046	.016 .072	.022 .103	.031 .140
6 x 6	CFM	25	50	75	100	125	150	175
	Throw	1-2-2	2-2-4	2-3-5	3-5-7	3-6-7	4-6-10	4-7-12
	NC	-	-	-	-	16	21	26
9 x 9	CFM	56	113	169	225	281	338	394
	Throw	1-2-3	2-3-5	3-5-7	4-5-9	4-6-11	5-8-13	6-9-16
	NC	-	-	-	-	18	23	29
12 x 12	CFM	100	200	300	400	500	600	700
	Throw	2-2-4	3-3-7	4-5-10	5-7-13	6-8-16	7-10-19	8-11-22
	NC	-	-	-	13	20	27	32
15 x 15	CFM	156	313	469	625	781	938	1094
	Throw	2-3-5	3-5-8	4-6-13	6-9-15	7-10-19	8-12-23	12-17-33
	NC	-	-	-	16	22	29	34
18 x 18	CFM	225	450	675	900	1125	1350	1575
	Throw	3-3-6	4-6-10	6-8-15	7-10-19	9-12-24	10-15-28	12-10-19
	NC	-	-	-	16	23	30	35

Performance Notes:

1. NC Value based on 10 dB room attenuation.
2. Throw values are based on isothermal air and terminal velocities of 150 fpm, 100 fpm and 50 fpm.
3. Above table applies for diffuser without OBD. For diffusers c/w OBD multiply by 1.20 the TP figure and add 4 to NC figure above.

 NC > 30 Pressure values are in inches w.g.

ROUND DIFFUSERS



MODEL DRV MINI VALVE DIFFUSER

MODELDRV - Pressed Steel, Adjustable Core

DRV series valves are designed for the air supply or air exhaust in air conditioning, ventilation or heating installations.

Especially suitable for air exhaustion in washrooms and for ventilation installation in houses, apartments, offices, schools and hospitals.

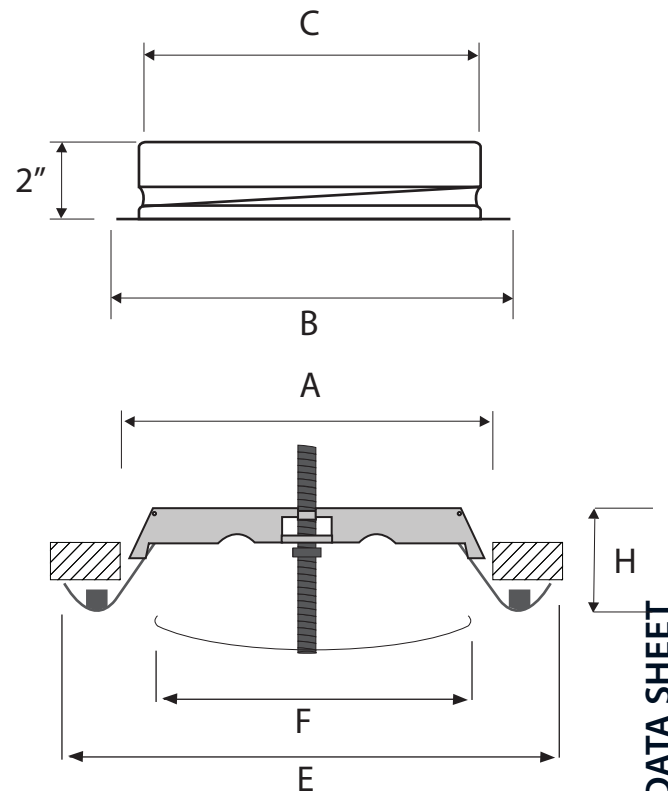
It is mounted in walls or on duct. DRV series valves allow for high airflow pass obtaining good results in sound pressure performance. Flow is easily adjusted by turning the central Highlights

- Ideal for residential applications
- Rotate core clockwise or counter-clockwise to adjust airflow
- Better quality than plastic
- Comes with gasket to avoid air leaks

Neck Diameter	Supply		Return	
	Min cfm	Max cfm	Min cfm	Max cfm
4" (100 mm)	27	40	4	86
5" (125 mm)	40	62	10	127
6" (150 mm)	104	136	10	149
8" (200 mm)	168	252	19	302



DRV



ROUND NECK

Model	Duct Size	A	F	H	C	B	E
DRV 04	4"	4.09"	2.95"	1.57"	3.9"	4.92"	5.39"
DRV 05	5"	5.08"	3.9"	1.81"	4.88"	5.91"	6.46"
DRV 06	6"	6.65"	5.08"	2.13"	5.9"	6.91"	7.75"
DRV 08	8"	8.23"	6.18"	2.48"	7.83"	8.85"	9.76"

HOW TO ORDER DRV SERIES

DRV 04

Model series	Neck dimensions
Mini Valve Diffuser	04 4"
DRV	05 5"
	06 6"
	08 8"

SQUARE DIFFUSERS



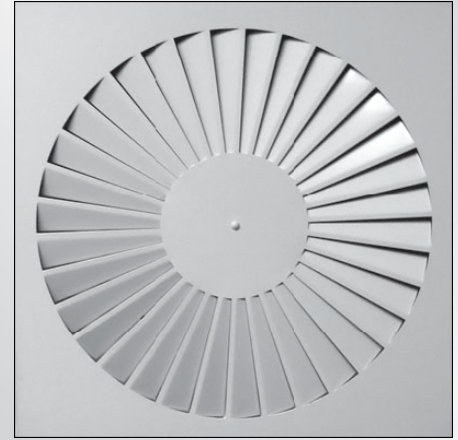
MODELS DSW, DSWI

MODEL **DSW** - Swirl Pattern, Round neck

MODEL **DSWI** - R6 Insulated, Pre-scored for collars

The **DSW Series** supply diffusers are high induction diffusers recommended for both heating and cooling in variable air volume systems.

The **DSW series** provide a 360° radial air diffusion pattern ideal for applications that require high induction rates for rapid temperature and velocity equalization of the mixed air mass above the zone of occupancy.



DSW

Features:

- Full face 24" x 24" for all neck sizes
- Optional 2" neck available for **DSW**
- Lay-in T-Bar ceiling mounting
- Heavy-gauge all-steel construction
- Ideal for VAV systems
- Powder paint coating - White (default) Custom colours avail.

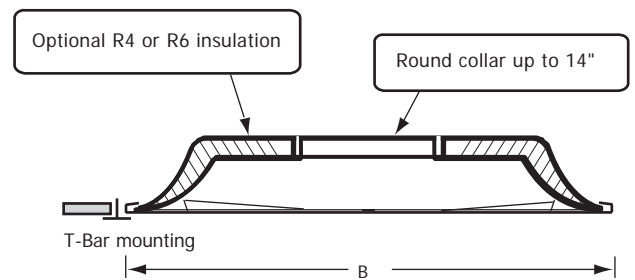
Insulation:

DSW - Optional R4 or R6 insulation. R6 fiberglass insulation complies with A.S.T.M. E84 flame and smoke test. Only available on models with 24" x 24" face.

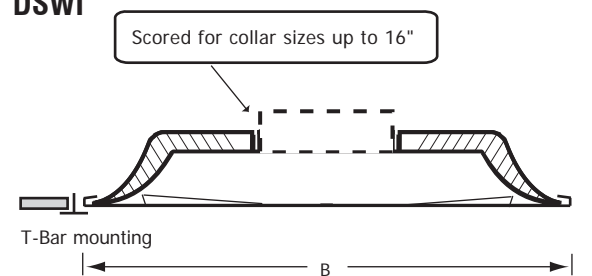
DSWI- R6 fiberglass insulation.

DSW Model #	Nominal Face Size	Actual Face Size B x B	Duct Size	Actual Neck Size
2406	24 x 24	23 ⁷ / ₈ x 23 ⁷ / ₈	6	5 ⁷ / ₈
2408	24 x 24	23 ⁷ / ₈ x 23 ⁷ / ₈	8	7 ⁷ / ₈
2410	24 x 24	23 ⁷ / ₈ x 23 ⁷ / ₈	10	9 ⁷ / ₈
2412	24 x 24	23 ⁷ / ₈ x 23 ⁷ / ₈	12	11 ⁷ / ₈
2414	24 x 24	23 ⁷ / ₈ x 23 ⁷ / ₈	14	13 ⁷ / ₈

DSW



DSWI



DATA SHEET

DSWI Model #	Nominal Face Size	Actual Face Size B x B
DSWI	24 x 24	23 ⁷ / ₈ x 23 ⁷ / ₈



DSWI fiberglass back.

All dimensions in inches

ENGINEERING PERFORMANCE DATA

MODEL DSW

SQUARE PANEL



24" x 24" face

SIZE (inches)	Neck Velocity (fpm)	300	400	500	600	700	800	900	1000
	Velocity Pressure (in H ₂ O)	.006	.010	.016	.022	.031	.040	.050	.062
6"	CFM	59	79	98	118	137	157	177	196
	Total Pressure	.010	.018	.028	.040	.054	.071	.090	.111
	NC	-	-	-	-	-	18	21	24
	Throw (ft)	1-1-2	1-1-2	1-1-3	1-2-4	1-2-4	2-2-5	2-3-5	2-3-6
8"	CFM	105	140	174	209	244	279	314	349
	Total Pressure	.017	.030	.047	.068	.092	.120	.152	.188
	NC	-	-	-	-	19	23	26	29
	Throw (ft)	1-2-3	1-2-4	2-3-5	2-3-6	2-4-7	3-4-7	3-5-8	3-5-8
10"	CFM	164	218	273	327	382	436	491	545
	Total Pressure	.029	.051	.079	.114	.156	.203	.257	.318
	NC	-	15	22	27	31	35	38	41
	Throw (ft)	2-2-5	2-3-6	3-4-7	3-5-8	4-6-8	4-6-9	5-7-9	5-7-10
12"	CFM	236	314	393	471	550	628	707	785
	Total Pressure	.048	.086	.134	.194	.264	.344	.436	.538
	NC	17	24	31	36	40	44	47	50
	Throw (ft)	2-4-7	3-5-8	4-6-8	6-7-9	5-7-10	6-8-11	7-8-11	7-8-12
14"	CFM	321	428	535	641	748	855		
	Total Pressure	.082	.146	.228	.328	.446	.583		
	NC	24	32	38	43	47	51		
	Throw (ft)	3-5-8	4-6-9	5-7-10	6-8-11	7-8-12	7-9-12		
16"	CFM	419	558	698	837				
	Total Pressure	.139	.247	.385	.555				
	NC	30	38	44	49				
	Throw (ft)	4-6-9	6-7-13	6-8-11	7-9-12				

NC Value based on 10 db room attenuation.

Throw Values are based on isothermal air and terminal velocities of 150 fpm, 100 fpm, & 50 fpm respectively
Total Pressure the sum of static pressure plus velocity pressure and is given in inches w.g.

HOW TO ORDER DSW

DSW-R4-2-S-W3 2408 /W

MODEL SERIES
Standard Plaque **DSW**
Insulated Plaque **DSWI**

INSULATION (OPTIONAL)
Standard is uninsulated
R4.2 Taped Insulation **-R4**
R6 Taped Insulation **-R6**

COLLAR HEIGHT (OPTIONAL)
Standard is 1", no need to specify
2" Fixed Collar **-2**

PACKAGING (OPTIONAL)
Standard is 2 per box
Single Box **-S**

FINISH (OPTIONAL)
Standard is White **/W**
See custom chart **/C** for more

NECK DIAMETER
06-08-10-12-14"

FACE DIMENSIONS
24" x 24" **24**

DIRECTION (OPTIONAL)
Standard is 4 Way -
1 Way **-W1**
2 Way Corner **-WC**
2 Way Opposed **-WO**
3 Way **-W3**

HOW TO ORDER DSWI

DSWI /W

MODEL SERIES
Swirl Diffuser **DSWI**

FINISH (OPTIONAL)
Standard is White **/W**
See chart for more

CEILING RETURNS



EGGCRATE-ER SERIES

Series **ER** grilles and registers have grid cores capable of transferring or returning high air volumes with minimum air pressure loss. They match in appearance grid louvers on luminaires. Models **ERT** - **ERU** - **ERN** fit lay-in tee bar openings in suspended grid ceilings. Model **ERI** comes with fiberglass back panel and Model **ERM** comes with a steel back panel. Both **ERI** and **ERM** fit lay-in tee bar openings. Model **ERE** is the matching return grille. It fits overlap openings in solid ceilings and walls.

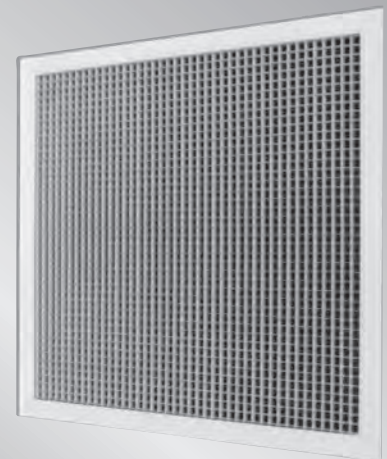
FEATURES

All Aluminium grilles

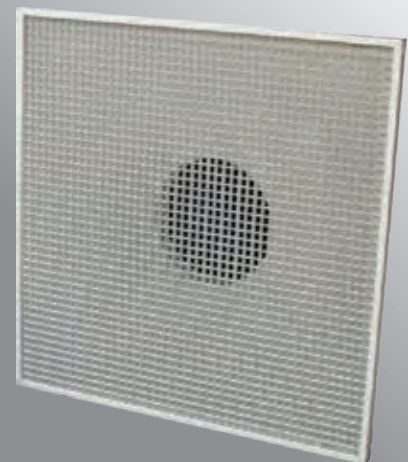
- Grid is $\frac{1}{2}'' \times \frac{1}{2}'' \times \frac{1}{2}''$.
- Frame is of extruded aluminium.
- Suitable for T-bar installations (Overall size = Listed size - $\frac{1}{4}''$).
 Model **ERT** (fig. 1) with $1\frac{1}{4}''$ wide "L" frame.
 Model **ERU** (fig. 2) with "U" frame.
 Model **ERN** (fig. 3) $\frac{1}{2}'' \times \frac{1}{2}'' \times \frac{1}{2}''$. Aluminium core only.
 Custom Sizing Available.
 Model **ERN1** (fig. 3) $\frac{1}{2}'' \times \frac{1}{2}'' \times 1''$. Model **ERN111** (fig. 3) $1'' \times 1'' \times 1''$. Aluminium core only. Fixed Sizes Only.
 Model **ERI** (fig. 4) aluminium core with molded fiberglass back and aluminium foil vapor barrier scored for 6" to 14" D.
 Model **ERM** (fig. 5) aluminium core with steel back panel.
- Suitable also for overlap installations, including drywall. (Collar size = Listed duct size - $\frac{1}{4}''$).
 Model **ERE** return grille (fig. 6) with $1\frac{1}{4}''$ wide margin has countersunk mounting screw holes as standard feature. (Screws are provided).
 Model **ERE** return grille is available with plaster frame (**ERE-F**) for use as plaster stop or as separate frame to facilitate grille removal.

Plastic grilles

- Model **ERN-P** (fig. 3) with plastic core.
- Grid is $\frac{1}{2}'' \times \frac{1}{2}'' \times \frac{3}{8}''$.
- Standard grille and panel sizes:
 24" x 12" / 24" x 24" / 24" x 48".
 Other sizes are available in one piece up to 48" x 24".



ERT



ERM

Available Dimensions:
ERT, ERU, ERN, ERE

MIN. W X H	MAX. W X H
6" x 4"	Any even dimension up to 48" x 24"
2" increments of width and height.	
Multiple sections furnished for sizes greater than maximum width and height.	

ENGINEERING PERFORMANCE DATA

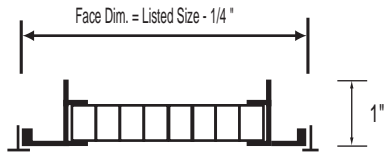
ER SERIES



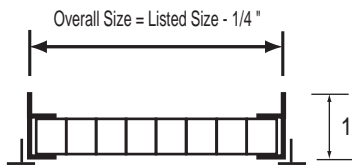
Installation Options

T-BAR INSTALLATIONS

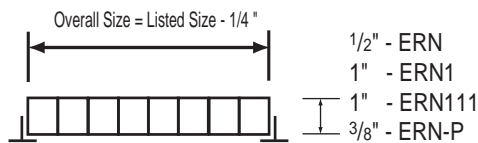
Model ERT
(With "L" frame)
Fig. 1



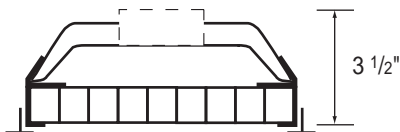
Model ERU
(with "U" frame)
Fig. 2



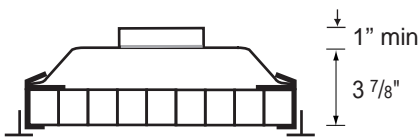
Model ERN, ERN1,
& ERN111 Aluminium
Model ERN-P Plastic
(Core only)
Fig. 3



Model ERI
(w/ fibreglass back panel)
Fig. 4

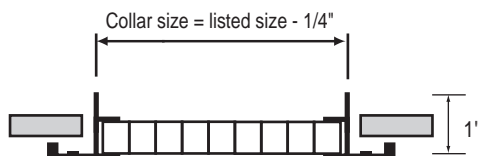


Model ERM
(w/ steel back panel)
Fig. 5



DRY WALL AND SURFACE MOUNT INSTALLATIONS

Model ERE (Return
Grille)
(Overlap frame)
Fig. 6



ENGINEERING PERFORMANCE DATA

ER SERIES

RETURN GRILLES

		NC 20-25 Application Non-Ducted		NC 25-30 Application Ducted		NC 30-40 Application Ducted	
		Ps		Ps		Ps	
Listed Size W x H (inches)	Ak	-0.02"	-0.03"	-0.08"	-0.10"	-0.15"	-0.20"
		CFM	CFM	CFM	CFM	CFM	CFM
10 x 6 12 x 6 10 x 8 12 x 8	.42 .50 .53 .63	140 170 195 235	170 210 240 290	280 340 390 475	315 380 440 530	385 465 535 645	445 535 615 745
10 x 10 18 x 6 12 x 12 18 x 12	.64 .75 .89 1.3	245 260 370 575	305 320 455 710	500 525 745 1155	560 590 835 1295	685 720 1020 1580	790 830 1170 1820
22 x 10 24 x 12 18 x 18 30 x 12	1.4 1.7 1.9 2.2	630 770 890 985	775 945 1095 1210	1260 1540 1785 1950	1410 1725 2000 2180	1720 2100 2440 2660	1980 2420 2780 3060
24 x 18 36 x 12 22 x 22 30 x 18	2.5 2.7 2.8 3.2	1200 1290 1340 1535	1470 1590 1650 1890	2400 2600 2700 3090	2690 2910 3020 3450 3280	3550 3680 4210	3770 4100 4240 4850
24 x 24 36 x 18 30 x 24 34 x 22	3.3 3.8 4.1 4.3	1620 1830 2040 2170	1990 2250 2510 2670	3250 3670 4100 4360	3640 4110 4590 4875	4440 5020 5600 5950	5125 5775 6450 6860
36 x 24 36 x 30 34 x 34 48 x 24	4.9 6.1 6.3 6.6	2470 3120 3190 3340	3040 3840 3930 4100	4960 6275 6425 6700	5550 7040 7200 7500	7650 8575 8775 9150	7775 9900 10100 10500
48 x 30 48 x 36 46 x 46	8.1 9.7 11.6	4190 5060 6100	5150 6240 7475	8400 10200 12200	9400 11400 13700	11425 13925 16700	13150 16100 19300

HOW TO ORDER

EXAMPLE :

ERT

2412

T for T-bar with "L" frame

U for T-bar with "U" frame

N, N1, N111 for

Aluminium core only

N-P for Plastic core only

M for steel back panel

E for Drywall

E-F with plaster frame

I for R6 Insulated back

Listed
size

EGG CRATE FILTER GRILLES



MODELS ERMF-ERIF-ERTF

FOR TEE BAR LAY-IN INSTALLATIONS

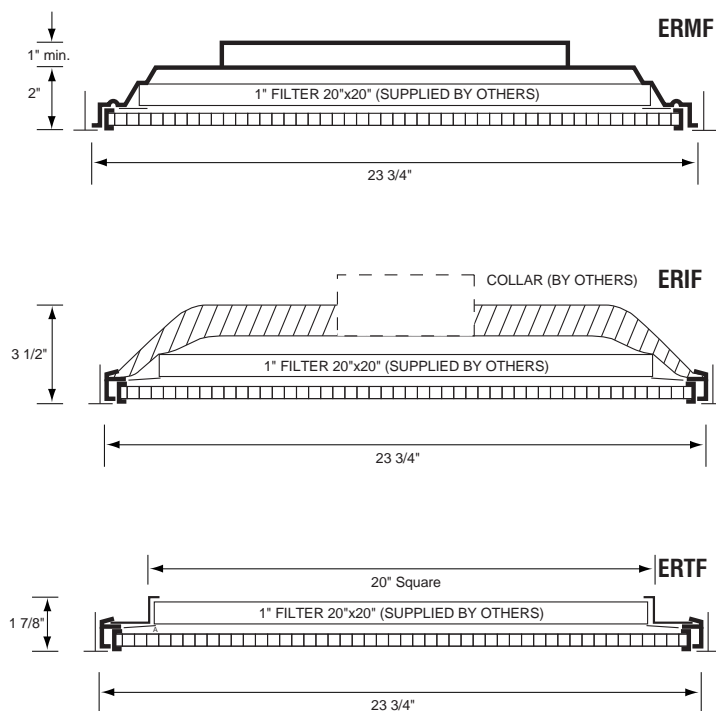
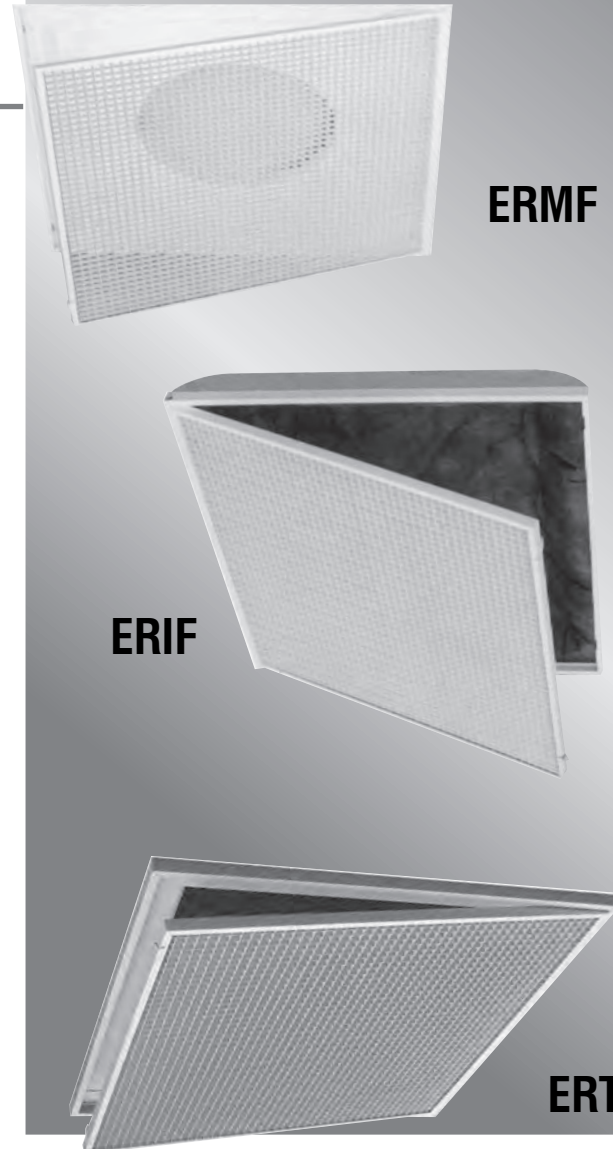
Series **ER** filter grilles have grid cores capable of transferring or returning high air volumes with minimum air pressure loss. They match in appearance grid louvers on luminaries.

The core consists of a 1/2" x 1/2" x 1/2" aluminum grid in a sturdy extruded aluminum U frame which swings in or out of the fixed back pan for easy access to the 1" standard filter or filter media (supplied by others). Two locking arms opposite to the two concealed hinges provide secure locking of the core in an unobtrusive manner.

Model **ERMF** has steel back pan with heavy gauge steel reinforcing corners equivalent to 18 ga. so as to minimize damage due to handling.

Model **ERIF** has an insulated back pan consisting of a fixed extruded aluminum frame and a molded fiberglass pan suitable for round duct connections up to 14" D. and scored for easy cutting of collar opening. This model has all aluminum metal components with sturdy corners so as to minimize damage due to handling.

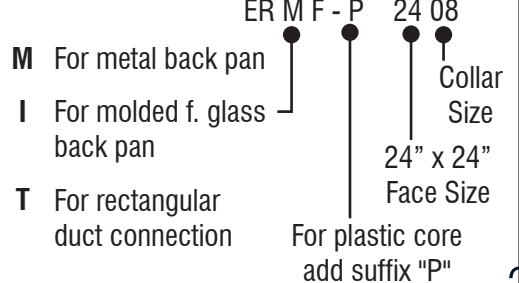
Model **ERTF** has a square filter frame to accommodate 20" x 20" filters and ducts of the same listed size. This model has sturdy corners so as to minimize damage due to handling.



PLASTIC EGG CRATES

All grilles are available with plastic core. Please specify by adding suffix "P". Example: ERMF-P, ERIF-P, ERTF-P etc. Plastic grid is 1/2" x 1/2" x 3/8".

HOW TO ORDER



DATA SHEET

Return Air Filter - Model FGAA40

Fixed Bar Type 45° Deflected Bars

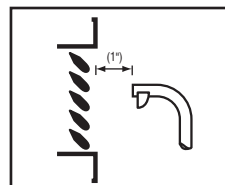
Listed Size W x H	A _K	NC 20-25 Application Non-Ducted		NC 25-30 Application Ducted		NC 30-40 Application Ducted	
		P _S		P _S		P _S	
		- .02"	- .03"	- .08"	- .10"	- .15"	- .20"
		CFM	CFM	CFM	CFM	CFM	CFM
10 x 6	.26	55	65	105	115	140	160
10 x 8	.34	75	90	145	160	195	225
12 x 8	.42	90	110	180	200	245	280
14 x 8	.50	110	135	220	245	300	345
12 x 10	.53	125	150	245	275	335	385
14 x 10	.63	155	190	310	345	420	485
12 x 12	.64	160	195	315	350	425	490
20 x 10	.75	170	205	335	375	455	525
14 x 14	.89	240	290	470	525	640	735
20 x 14	1.3	370	450	735	825	1005	1155
24 x 12	1.4	380	465	755	845	1030	1185
26 x 14	1.7	505	615	1000	1120	1365	1570
20 x 20	1.9	575	700	1140	1275	1555	1790
36 x 12	2.1	600	732	1195	1340	1635	1880
32 x 14	2.2	630	770	1255	1405	1715	1970
26 x 20	2.5	770	940	1530	1715	2090	2405
24 x 24	2.8	880	1075	1750	1960	2390	2750
32 x 20	3.2	970	1185	1930	2160	2635	3030
26 x 26	3.3	1040	1270	2070	2320	2830	3255
38 x 20	3.8	1170	1425	2320	2600	3170	3645
32 x 26	4.1	1320	1610	2625	2940	3585	4120
36 x 24	4.3	1355	1655	2695	3020	3685	4235
38 x 26	4.9	1580	1925	3135	3510	4280	4920
48 x 24	5.9	1940	2365	3855	4315	5265	6055
38 x 30	6.1	2010	2450	3995	4475	5460	6280
50 x 26	6.6	2130	2600	4240	4750	5795	6665
50 x 32	8.1	2700	3295	5370	6015	7340	8440
50 x 38	9.7	3220	3930	6405	7175	8755	10065

Performance of any size not shown in the tables will be the same as for the size shown with the same listed size area.

EXAMPLE:

A 38 x 18 size (not shown) has a listed area of 576 sq. in. Its performance will be identical to a 26 x 26 size (shown) which has the same listed size area of 576 sq. in.

AIR MEASUREMENT

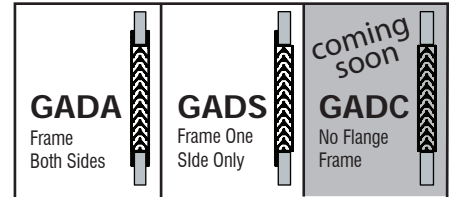


SYMBOLS P_S Static Pressure Inches H₂O
 A_K Outlet Area, 1" Out from Face
 NC Re 10 db Room attenuation

2220A Velometer Jet for V_K velocity measurement.
 CFM = A_K x V_K

PERFORMANCE DATA

Size (Inches)	Ak	Velocity (FPM)							
			200	300	400	500	600	700	800
8 x 8	.44	CFM	90	130	180	220	265	310	350
		PL	.08	.17	.30	.47	.68	.93	1.2
14 x 6	.55	CFM	110	165	220	275	330	385	440
		PL	.07	.16	.30	.46	.65	.90	1.2
12 x 8	.64	CFM	130	190	255	320	385	450	510
		PL	.07	.16	.29	.45	.64	.88	1.1
14 x 8	.74	CFM	150	220	295	370	445	520	590
		PL	.07	.16	.28	.44	.63	.87	1.1
20 x 6	.78	CFM	155	235	310	390	470	545	625
		PL	.07	.16	.28	.44	.62	.86	1.1
12 x 12	.93	CFM	185	280	370	465	560	650	745
		PL	.07	.15	.27	.43	.61	.84	1.1
30 x 6	1.12	CFM	225	335	450	560	670	785	895
		PL	.07	.15	.26	.42	.60	.82	1.1
16 x 12	1.19	CFM	240	360	475	595	715	835	950
		PL	.07	.15	.26	.41	.59	.81	1.1
18 x 12	1.33	CFM	265	400	530	665	800	930	1065
		PL	0.7	.15	.26	.41	.58	.88	1.0
20 x 12	1.46	CFM	290	440	585	730	875	1020	1170
		PL	.06	.15	.26	.40	.58	.79	1.0
16 x 16	1.54	CFM	310	460	615	770	925	1080	1230
		PL	.06	.14	.25	.40	.57	.78	1.0
24 x 12	1.75	CFM	350	525	700	875	1050	1225	1400
		PL	.06	.14	.25	.39	.56	.77	1.0
18 x 18	1.95	CFM	390	585	780	975	1170	1365	1560
		PL	.06	.14	.25	.39	.55	.76	.99
30 x 12	2.17	CFM	435	650	870	1085	1300	1520	1740
		PL	.06	.14	.25	.38	.54	.75	.98
20 x 20	2.42	CFM	485	730	970	1210	1450	1690	1940
		PL	.06	.14	.24	.38	.54	.74	.97
24 x 18	2.55	CFM	510	765	1020	1275	1530	1785	2040
		PL	.06	.14	.24	.37	.53	.73	.96
30 x 18	3.23	CFM	650	970	1290	1620	1940	2260	2580
		PL	.06	.13	.23	.36	.51	.71	.93
24 x 24	3.40	CFM	680	1020	1360	1700	2040	2380	2720
		PL	.06	.13	.23	.36	.51	.70	.92
30 x 24	4.18	CFM	840	1250	1670	2090	2510	2930	3340
		PL	.06	.13	.22	.35	.50	.68	.89
30 x 30	5.15	CFM	1030	1550	2580	3090	3610	3610	4120
		PL	.05	.12	.34	.48	.66	.66	.66



NOTE:
Ak: outlet area in Sq. feet.

ENGINEERING PERFORMANCE DATA

SUPPLY AIR GRILLES AND REGISTERS Curved blade grilles - Series GCB10, GCB20, GCB30 & GCB40



TABLE 1

Nominal Duct Size	Face Vel. (fpm)		100	200	300	400	500	600	700	800	900	1000	
	Vel. Pressure		0.001	0.002	0.006	0.010	0.016	0.022	0.031	0.040	0.051	0.062	
	Tot. Pressure		0.003	0.014	0.031	0.056	0.090	0.131	0.175	0.225	0.290	0.355	
6x4	CFM					50	60	70	85	95	110	120	
	Throw	2-Way				5-8-13	7-9-12	8-12-19	9-13-18	10-15-21	12-17-24	13-19-31	
		1-Way				7-10-16	8-11-15	10-13-19	11-16-23	12-18-26	14-21-34	15-23-37	
	NC					14	20	24	28	32	35	38	
8x4	CFM				50	65	80	95	110	130	145	160	
	Throw	2-Way			5-7-11	6-9-14	7-11-17	9-13-21	10-14-20	11-16-23	12-18-26	14-21-33	
		1-Way				5-8-13	7-11-17	9-13-21	10-15-21	12-17-25	13-20-32	15-22-36	17-25-40
	NC				<	15	21	26	30	33	36	39	
6x6 10x4	CFM				60	80	100	120	140	160	180	200	
	Throw	4-Way			4-6-9	5-8-13	6-9-15	8-11-18	9-13-21	1-14-20	11-16-23	12-17-25	
		3-Way				4-6-10	6-9-14	7-1-16	8-12-20	1-13-19	11-15-22	12-17-25	13-20-32
		2-Way				5-7-11	6-9-15	8-11-18	9-14-22	1-15-21	12-17-25	13-20-32	15-22-35
		1-Way				6-9-14	8-11-18	9-14-22	11-15-22	12-18-26	14-21-34	16-24-38	18-26-42
NC				<	16	22	27	31	34	37	40		
8x6 12x4	CFM			50	80	105	130	155	180	210	235	260	
	Throw	4-Way		3-4-7	4-5-6	6-9-14	7-1-16	8-12-20	1-13-19	11-15-22	12-17-25	13-20-32	
		3-Way		3-4-7	5-6-7	6-9-15	8-11-18	9-13-21	1-14-20	11-16-23	13-19-31	14-21-34	
		2-Way		3-5-8	5-6-8	7-9-12	8-12-20	1-14-20	11-16-23	13-19-31	14-21-34	16-24-38	
		1-Way		4-5-6	6-8-11	8-11-15	1-14-20	12-17-24	13-20-32	15-23-37	17-26-41	19-28-45	
NC			<	10	17	23	28	32	35	38	41		
14x4	CFM			60	90	120	150	180	210	240	270	300	
	Throw	4-Way		3-4-7	4-5-6	6/8/10	7/10/13	9/12/17	10/14/20	11/16/23	12/18/26	14-21-33	
		3-Way		3-5-8	5-6-7	6/9/15	8/11/15	9/13/18	10/15/21	12/17/25	13-20-32	15-22-35	
		2-Way		3-5-8	5-7-9	7/10/13	9/12/17	10/14/20	12/17/24	13-20-32	16-24-38	16-24-39	
		1-Way		4-5-6	6/8/11	8/11/16	10/15/21	12/17/25	14-21-34	16-24-38	18-27-43	20-29-47	
NC			<	10	18	23	28	32	36	39	42		
8x8 10x6 16x4	CFM			70	105	140	175	210	245	280	315	350	
	Throw	4-Way		3-4-7	5-7-11	6-9-15	8-11-18	9-13-21	1-15-21	12-17-24	13-19-31	14-21-34	
		3-Way		3-5-8	5-7-12	6-9-15	8-12-19	1-13-19	11-15-22	14-19-30	14-21-33	15-23-37	
		2-Way		4-6-9	5-8-13	7-1-13	9-13-21	1-15-21	12-17-25	14-21-33	15-23-37	17-26-41	
		1-Way		4-5-6	7-9-12	9-12-17	1-15-21	12-18-26	15-22-35	17-25-40	18-27-44	20-31-49	
NC			<	11	18	24	29	33	37	39	42		
12x6 18x4	CFM			80	120	160	200	240	280	320	360	400	
	Throw	4-Way		3-5-8	5-6-7	6-8-11	8-11-15	9-13-18	11-15-22	12-17-25	13-20-32	15-22-35	
		3-Way		3-5-8	5-6-8	7-9-12	8-11-16	1-14-20	11-16-20	13-19-31	15-22-35	16-24-38	
		2-Way		4-6-9	6-8-10	8-1-14	9-13-18	11-15-22	12-18-26	14-21-34	16-24-38	18-26-42	
		1-Way		5-6-7	7-9-12	9-13-18	11-15-22	13-19-31	15-22-36	17-26-41	19-29-46	21-32-51	
NC				12	19	25	30	34	37	40	43		
10x8 14x6	CFM			90	135	180	225	270	315	360	405	450	
	Throw	4-Way		3-5-8	5-6-8	6-9-15	8-12-19	1-13-19	11-15-22	12-18-26	14-21-33	15-23-37	
		3-Way		3-5-8	5-7-9	7-11-17	9-13-21	1-14-20	12-17-24	13-20-32	15-22-36	16-24-39	
		2-Way		4-6-9	6-8-10	8-12-19	1-13-19	11-16-23	13-19-31	15-22-35	16-24-39	18-27-44	
		1-Way		5-7-11	7-11-17	9-14-22	11-16-23	13-20-32	15-23-37	18-26-42	20-29-47	22-33-53	
NC			<	12	19	26	30	34	38	41	44		
12x8 16x6 24x4	CFM			55	110	165	220	275	330	385	440	495	550
	Throw	4-Way	2-3-4	3-5-8	5-7-12	7-1-16	8-12-20	1-14-20	12-17-24	13-19-31	15-22-35	16-24-39	
		3-Way	2-3-5	4-6-9	5-8-13	8-11-18	9-14-22	11-15-22	12-18-26	14-21-33	16-24-38	17-26-41	
		2-Way	2-3-5	4-6-10	6-9-15	8-12-20	1-14-20	12-17-25	14-21-33	15-23-37	17-26-41	19-29-46	
		1-Way	2-4-6	5-7-12	8-11-18	1-13-19	12-17-25	14-21-34	16-24-39	18-27-44	21-31-50	23-35-56	
NC			<	<	13	20	26	31	35	39	41	44	
10x10 18x6	CFM			60	125	185	250	310	370	435	495	560	620
	Throw	4-Way	2-3-4	4-6-9	5-8-13	7-11-17	9-13-21	1-15-21	12-17-24	13-20-32	15-22-36	17-25-40	
		3-Way	2-3-5	4-6-9	6-9-14	8-11-18	9-14-22	11-16-23	13-19-31	14-21-34	16-24-39	18-27-43	
		2-Way	2-3-5	4-6-10	6-9-15	8-12-20	1-16-25	12-17-25	14-21-34	16-24-38	18-27-43	20-29-47	
		1-Way	2-3-6	5-7-12	8-11-18	1-14-20	12-19-30	15-22-35	17-26-41	19-29-46	21-32-51	24-36-57	
NC			<	<	13	21	27	32	36	39	42	45	

ENGINEERING PERFORMANCE DATA

SUPPLY AIR GRILLES AND REGISTERS

Curved blade grilles - Series GCB10, GCB20, GCB30 & GCB40



Nominal Duct Size	Face Vel. (fpm)	100	200	300	400	500	600	700	800	900	1000	
	Vel. Pressure	0.001	0.002	0.006	0.010	0.016	0.022	0.031	0.040	0.051	0.062	
	Tot. Pressure	0.003	0.014	0.031	0.056	0.090	0.131	0.175	0.225	0.290	0.355	
	CFM	70	140	210	280	350	420	490	550	630	700	
30x4 20x6 14x8 12x10	Throw	4-Way	2-3-5	4-6-9	5-8-13	7-11-17	9-13-21	10/15/21	12-17-25	14-21-33	15-23-37	17-26-41
		3-Way	2-3-5	4-6-9	6-9-14	8-12-19	10/13/19	11-16-23	13-20-32	15-22-36	17-25-40	18-27-44
		2-Way	2-4-6	5-7-11	7/10/16	9-13-21	10/15/21	12/18/26	15-22-35	17-25-40	18-27-44	20-31-49
		1-Way	3-4-7	5-8-13	8-12-19	10/15/21	12-19-30	15-22-36	18-26-42	20-29-47	22-33-53	25-37-59
	NC	-	-	14	21	27	32	36	40	42	45	
	CFM	80	160	245	325	405	485	565	650	730	810	
36x4 24x6 16x8 14x10	Throw	4-Way	2-3-5	4-6-9	6-9-14	8-11-18	9-14-22	11-15-22	12-18-26	14-21-34	16-24-38	18-27-43
		5-Way	2-3-5	4-6-10	6-9-15	8-12-20	11-15-22	12-17-24	14-21-33	15-23-37	17-26-41	19-29-46
		2-Way	2-4-6	5-7-11	7-1-16	9-14-22	11-15-22	13-19-31	15-22-36	17-26-41	19-29-46	21-32-51
		1-Way	3-4-7	5-8-13	8-12-20	11-15-22	13-20-32	16-24-38	18-27-44	20-31-49	23-34-55	26-39-62
	NC	-	-	15	22	28	33	37	40	43	46	
	CFM	85	175	260	350	435	520	610	695	785	870	
24x8 18x15 16x12	Throw	4-Way	2-3-5	4-6-9	6-9-14	8-12-19	1-13-19	11-16-23	13-19-31	15-22-35	16-24-39	18-27-43
		3-Way	2-3-5	4-6-10	6-9-15	8-12-20	1-15-21	12-17-25	14-21-33	16-24-38	18-26-42	20-29-47
		2-Way	2-4-6	5-7-11	7-11-17	9-14-22	11-16-23	13-20-32	15-23-37	18-26-42	20-29-47	22-32-52
		1-Way	3-4-7	6-9-14	8-12-20	11-15-22	13-20-32	16-24-39	19-28-45	21-31-50	23-35-56	26-39-63
	NC	-	-	15	22	28	33	37	40	43	46	
	CFM	100	205	305	410	510	610	715	815	920	1020	
30x6 20x8 16x10 14x12	Throw	4-Way	2-3-5	4-6-10	6-9-15	8-12-19	1-14-20	12-17-24	13-20-32	15-22-36	17-26-41	19-28-45
		5-Way	2-4-6	4-6-10	7-1-16	9-13-21	1-16-25	12-18-26	15-22-35	16-24-39	18-27-44	20-30-48
		2-Way	2-4-6	5-7-12	7-11-17	1-13-19	12-17-24	14-21-33	16-24-39	18-27-43	20-31-49	23-34-55
		1-Way	3-4-7	6-9-14	9-13-21	11-17-27	14-21-34	17-25-40	19-29-46	22-32-52	25-37-59	27-41-65
	NC	-	-	16	23	29	34	38	41	44	47	
	CFM	115	230	345	460	575	690	805	920	1040	1150	
24x8 18x10 16x12	Throw	4-Way	2-3-5	4-6-10	5-9-15	8-12-20	1-15-21	12-17-25	14-21-33	16-24-38	18-26-42	19-29-46
		3-Way	2-4-6	5-7-11	7-1-16	9-13-21	11-15-22	13-19-31	15-22-36	17-26-41	19-28-45	21-31-50
		2-Way	2-4-6	5-7-12	8-11-18	1-13-19	12-17-25	14-21-24	17-25-40	19-28-45	21-31-50	23-35-56
		1-Way	3-5-8	6-9-15	9-14-22	12-17-24	15-22-35	17-26-41	20-29-47	22-34-54	25-27-60	28-42-68
	NC	-	-	16	24	30	34	38	42	45	48	
	CFM	125	250	375	500	625	750	875	1000	1120	1250	
36x6 20x10 14x14	Throw	4-Way	2-3-5	4-5-6	6-8-11	8-12-20	1-15-21	12-17-25	14-21-34	16-24-38	18-27-43	20-29-47
		3-Way	2-4-6	5-6-7	7-9-12	9-14-22	11-16-23	13-20-32	15-23-37	17-26-41	19-29-46	21-32-51
		2-Way	2-4-6	5-6-8	8-1-14	1-14-20	12-18-26	15-22-35	17-26-41	19-29-46	21-32-51	24-36-57
		1-Way	3-5-8	6-8-11	9-13-18	12-17-25	15-22-35	18-26-42	20-30-48	23-34-55	26-39-62	29-43-69
	NC	-	-	16	24	30	35	39	42	45	48	
	CFM	135	270	405	540	675	810	945	1080	1220	1350	
16x14 18x12	Throw	4-Way	2-4-6	4-5-6	7-1-16	9-13-21	1-15-21	12-18-26	15-22-35	16-24-39	18-27-43	20-30-48
		3-Way	2-4-6	5-6-7	7-11-17	9-14-22	11-16-23	13-20-32	15-23-37	18-26-42	20-29-47	22-32-52
		2-Way	3-4-7	5-7-9	8-12-19	1-15-21	12-18-26	15-22-36	18-26-42	20-29-47	22-33-53	25-37-59
		1-Way	3-5-8	6-8-11	10-13-19	12-17-25	15-22-36	18-27-43	21-31-50	23-35-56	26-39-63	29-44-70
	NC	-	-	17	24	30	35	39	42	45	48	
	CFM	155	305	460	610	765	920	1070	1220	1380	1530	
30x8 24x10 20x12 18x14 16x6	Throw	4-Way	2-4-6	5-6-7	7-1-16	9-13-21	11-15-22	13-19-31	15-22-36	17-25-40	19-28-45	21-31-50
		3-Way	2-4-6	5-6-8	7-11-17	10-13-19	12-17-24	14-21-33	16-24-39	18-27-44	20-31-49	22-34-54
		2-Way	3-4-7	5-7-9	8-12-19	10-15-21	13-20-32	15-23-37	18-27-43	20-30-48	23-34-55	25-37-60
		1-Way	3-5-8	7-9-12	10-13-19	12-18-26	15-23-37	18-27-44	21-32-51	24-36-58	27-41-65	30-46-73
	NC	-	-	17	25	31	36	40	43	46	49	
	CFM	182	365	545	730	910	1090	1270	1460	1640	1820	
36x8 30x10 24x12 20x14 18x16	Throw	4-Way	2-4-6	5-6-7	7-11-17	9-14-22	11-16-23	13-20-32	15-23-37	18-26-42	20-29-47	22-33-53
		3-Way	2-4-6	5-6-8	8-11-18	10-14-20	12-17-25	15-22-35	17-25-40	19-28-45	21-32-51	24-36-57
		2-Way	3-4-7	6-8-10	8-12-20	11-16-23	14-21-33	16-24-39	19-28-45	21-31-50	24-36-57	26-39-63
		1-Way	3-5-8	7-9-12	10-14-20	13-20-32	16-24-39	19-29-46	22-34-54	25-37-60	29-42-68	32-48-76
	NC	-	-	18	26	32	36	40	44	47	50	
	CFM	210	420	630	840	1050	1260	1470	1680	1890	2100	
24x14 20x16 18x18	Throw	4-Way	2-4-6	5-6-8	8-11-18	10-13-19	12-17-24	14-21-34	16-24-39	18-27-44	20-31-49	23-34-55
		3-Way	3-4-7	5-7-9	8-12-19	10-15-21	12-18-26	15-22-36	18-26-42	20-29-47	22-33-53	25-37-59
		2-Way	3-4-7	6-8-10	9-13-21	12-17-24	14-21-34	17-25-40	19-29-46	22-32-52	25-37-59	28-41-66
		1-Way	4-6-9	7-10-13	10-15-21	14-21-33	17-25-40	20-30-48	23-34-55	25-39-62	29-44-70	33-50-80
	NC	-	-	19	26	32	37	41	44	47	50	

GRILLES



ALUMINUM

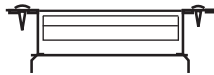
MODELS GDA1 supply, single deflection spiral duct grille
 GDA2 supply, double deflection spiral duct grille



GDA20

Fastening Methods

Air Scoop: For grilles with air scoop, add suffix 8



Screw holes

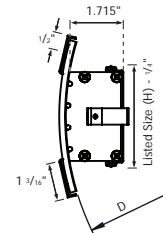
Single deflection supply spiral duct grilles are recommended for applications requiring pattern adjustability in a horizontal plane.

Double-deflection supply spiral duct grilles are recommended for application in systems requiring optimum flexibility of pattern changes to accommodate changing job conditions.

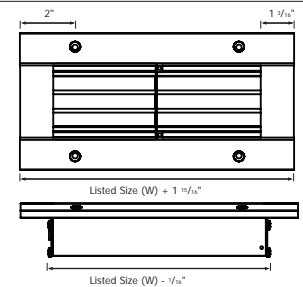
The combination of streamlined foil shaped bars and 17 mm (2/3 inch) bar spacing maintains a high effective area capacity of greater than 80% which minimizes outlet velocity, reduces pressure drop and assures quiet operation. Individually adjustable bars are capable of shortening throw up to one-half with a wide spread deflection requiring only a 20% increase in outlet velocity at a fixed volume.

GDA Series have extruded aluminum frames and bars which follow the curve on the face of the grille.

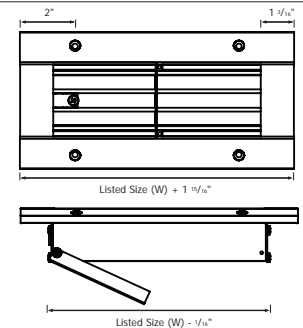
Dimensions



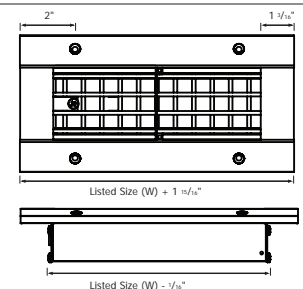
GDA10



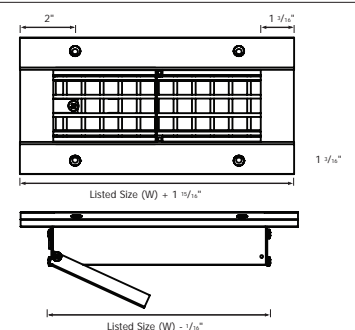
GDA18



GDA20



GDA28



HOW TO ORDER GDA SERIES

GDA28-D14 1006 /W

<p>MODEL SERIES Alum Spiral Duct Grille GDA</p> <p>AIR PATTERN Single Deflection 1 Double Deflection 2</p> <p>GRILLE/AIR SCOOP Grille Only 0 Grille with Air Scoop 8</p>	<p style="text-align: right;">White (Default) /W</p> <p style="text-align: center;">HEIGHT (INCHES)</p> <p style="text-align: center;">WIDTH (INCHES)</p> <p style="text-align: center;">DUCT DIMENSION Duct Diameter -D##</p>
--	---

MAX. LISTED SIZE: 36"x12"
FINISH: Powder baked enamel paint for durability. Default is White. Other finishes available (see chart for more).

DATA SHEET

ENGINEERING PERFORMANCE DATA

SPIRAL DUCT GRILLES

Single and Double Deflection Adjustable - GDA Series



TABLE 1

LISTED HEIGHT					Outlet Velocity 450-600 FPM					Outlet Velocity 550-700 FPM					Outlet Velocity 600-800 FPM					Outlet Velocity 700-1000 FPM										
					CFM	Deflection				CFM	Deflection				CFM	Deflection				CFM	Deflection									
						0°	22°	42°	55°		0°	22°	42°	55°		0°	22°	42°	55°		0°	22°	42°	55°						
						V _K					V _K					V _K					V _K									
						450	500	550	600		550	600	650	700		600	700	750	800		700	800	900	1000						
						P _T					P _T					P _T					P _T									
.01 .01 .02 .02				.02 .02 .03 .03				.02 .03 .04 .04				.03 .04 .05 .06																		
Throw (T) V _T 75					Throw (T) V _T 75					Throw (T) V _T 75					Throw (T) V _T 75															
4	5	6	8	10	12	14	16	18	20	24																				
6	5										40	6	5	4	3	45	8	7	6	4	60	10	9	7	5	65	11	10	8	6
8	6										50	7	6	5	4	60	9	11	6	5	70	11	10	8	6	80	12	11	9	7
10	8	6									75	9	7	6	5	90	10	9	7	6	100	12	11	9	7	125	13	12	10	8
12	10	8									100	10	8	6	5	125	11	9	8	7	150	13	12	9	8	175	14	13	11	8
14	12	10	8								125	11	9	7	6	150	12	11	9	7	175	14	13	10	8	200	16	14	11	9
18	14	12									150	11	10	8	7	175	13	11	10	8	200	15	14	11	9	250	17	15	12	10
20	16	14	10								175	12	11	9	7	200	15	13	11	9	250	17	15	12	9	275	19	17	14	11
24	20	16	12	10							225	13	12	10	8	275	16	14	12	10	300	19	16	13	10	350	21	18	15	12
30	24	20	14	12							300	14	13	11	9	350	18	15	13	10	425	20	17	15	11	475	24	20	17	13
38	30	24	18	14	12						350	17	14	12	9	425	20	17	13	11	500	22	20	17	12	550	26	22	18	14
40	32	26	20	16	14						400	18	16	13	10	475	21	18	15	12	550	24	21	18	13	650	28	24	20	15
44	36	30	24	18	16	14					450	19	17	13	11	550	22	19	17	13	625	26	22	19	14	725	30	25	22	17
44	36	26	22	18	16						500	20	17	14	12	600	24	20	18	13	700	27	24	20	15	800	32	27	23	18
48	40	30	24	20	18	16					600	21	18	15	12	700	25	22	18	14	850	29	25	22	16	950	34	29	25	19
48	40	38	30	24	22	18					700	23	20	17	13	850	28	24	20	15	975	33	28	24	18	1125	37	31	27	21
	40	32	28	24	20	18					800	25	21	18	14	950	31	26	22	17	1125	35	30	26	20	1275	39	34	29	22
	42	36	30	26	24	22	20				900	27	22	19	15	1100	32	27	23	18	1250	36	31	27	21	1450	42	36	31	23
	46	42	36	30	26	24	22				1000	29	25	21	16	1200	34	29	25	19	1400	40	34	29	22	1600	45	39	34	25
		44	38	34	30	28	24				1250	32	27	23	18	1500	36	30	27	23	1750	43	37	31	24	2000	48	43	36	27
		48	42	36	34	28	24				1500	34	29	25	19	1800	39	32	29	25	2100	45	40	34	26	2400	52	46	39	30
			44	40	36	30					1750	37	32	27	21	2100	42	35	32	27	2450	48	44	37	28	2800	55	49	42	32
			48	42	36	28	24				2000	39	34	29	22	2400	45	38	34	29	2800	52	46	40	30	3200	58	52	44	34
				48	40						2250	41	36	30	24	2700	48	40	36	31	3150	54	48	42	32	3600	61	54	46	37
				42							2500	43	38	32	25	3000	51	42	38	33	3500	57	51	44	33	4000	64	57	49	39
				48							3000	46	40	34	27	3600	54	45	40	35	4200	60	53	47	35	4800	68	60	52	42

NC 30

NC 35



NC40

- SYMBOLS
- V_T Terminal Velocity in fpm
 - A_K Outlet area in Sq. Feet
 - NC Re 8db Room attenuation
 - V_R Room Velocity in fpm
 - P_T Total Pressure H₂O
 - T Throw in feet at X and Y
 - V_K Outlet Velocity in fpm
 - P_S Static Pressure H₂O

ENGINEERING PERFORMANCE DATA

SPIRAL DUCT GRILLES

Single and Double Deflection Adjustable - GDA Series



AIR PATTERN SETTINGS

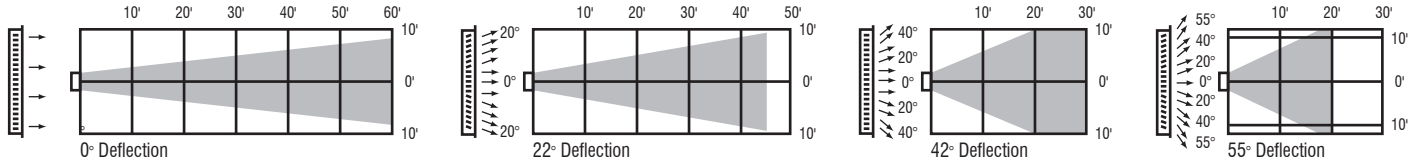


TABLE 1 (Cont'd)

LISTED HEIGHT				Outlet Velocity 900-1200 FPM					Outlet Velocity 1100-1450 FPM				Outlet Velocity 1250-1700 FPM				Outlet Velocity 1450-1900 FPM																											
				CFM	Deflection				CFM	Deflection				CFM	Deflection				CFM	Deflection																								
					0°	20°	40°	55°		0°	20°	40°	55°		0°	20°	40°	55°		0°	20°	40°	55°																					
					V _k					V _k					V _k					V _k																								
					900	1000	1100	1200		1100	1200	1300	1450		1250	1400	1550	1700		1450	1600	1750	1900																					
P _r				P _r				P _r				P _r																																
.05 .06 .08 .09				.08 .09 .10 .13				.09 .12 .15 .18				.13 .16 .19 .3																																
Throw (T) V _r 75				Throw (T) V _r 75				Throw (T) V _r 75				Throw (T) V _r 75																																
4	5	6	8	10	12	14	16	18	20	24																																		
6	5										80	13	11	9	7	100	15	13	11	8	125	18	15	13	10	150	19	16	13	10	175	21	18	14	11	225	27	23	19	15				
8	6										100	15	13	11	8	125	18	15	13	10	150	21	18	14	11	175	25	21	17	13	225	27	23	19	15									
10	8	6									150	17	14	12	9	175	20	17	14	11	200	24	20	17	13	225	27	23	19	15														
12	10	8									200	18	15	13	10	250	22	19	15	12	275	25	21	18	14	325	29	25	21	17														
14	12	10	8								250	21	18	15	11	300	15	21	18	14	350	28	25	20	15	400	33	28	24	18														
18	14	12									300	24	20	16	13	350	27	24	20	15	425	31	27	22	17	475	36	32	26	20														
20	16	14	10								350	25	21	18	14	425	30	25	21	17	500	34	30	25	19	550	39	32	27	21														
24	20	16	12	10							450	27	23	19	15	550	32	28	24	18	625	37	32	27	22	725	42	36	31	24														
30	24	20	14	12							600	29	25	21	16	725	35	30	26	20	850	41	35	30	23	950	45	40	34	26														
38	30	24	18	14	12						700	32	28	24	18	850	39	33	28	21	975	45	39	33	25	1125	49	43	38	28														
40	32	26	20	16	14						800	34	30	25	19	950	41	35	30	22	1125	48	41	35	27	1275	52	46	40	31														
44	36	30	24	18	16	14					900	36	31	26	20	1075	43	37	32	24	1250	51	43	37	28	1450	55	49	42	32														
44	36	26	22	18	16						1000	39	33	28	22	1200	45	40	34	26	1400	53	45	39	30	1600	58	51	44	34														
48	40	30	24	20	18	16					1200	42	36	31	24	1450	48	42	36	28	1675	57	48	42	32	1925	61	54	46	36														
48	40	38	30	24	22	18					1400	45	39	34	26	1675	52	45	40	31	1950	60	51	45	35	2250	58	49	40	34														
		40	32	28	24	20	18				1600	47	43	37	28	1925	56	48	43	34	2250		54	47	39	2500		62	53	43														
		42	36	30	26	24	22	20			1800	49	44	40	31	2150	59	51	46	35	2500		57	50	41	2750			56	46														
		46	42	36	30	26	24	22			2000	52	47	42	32	2400		54	49	38	2800		61	53	43	3200			59	48														
				44	38	34	30	28	24		2500	56	50	45	34	3000		59	53	41	3500				58	47	4000																	
				48	42	36	34	28			3000	60	54	48	36	3600			58	44	4200				52	4800																		
				44	40	36	30				3500		59	53	40	4200			49		4900				56																			
					48	42	36	28	24		4000			57	43	4800				54	5600				60																			
					48	40					4500			60	45	5400				58																								
					42						5000				49																													
					48						6000				54																													

ENGINEERING PERFORMANCE DATA

SPIRAL DUCT GRILLES

Single and Double Deflection Adjustable - GDA Series



A_k OUTLET AREA IN SQ. FEET

THROW FACTORS

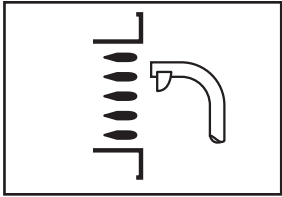
Throw values (T) in Table 1 are based on a Terminal Velocity (V_T) of 75 fpm. Throw values at other terminal velocities (V_T 50 to V_T 150 fpm) are established by multiplying throw (T) in table 1 by Throw Factor in table below.

Multiply Throw (T) in Table 1 by Factor				
VT (fpm)	50	75	100	150
Throw factor	x 1.5	x 1.0	x .76	x .5

Example;

A_k area for listed size 24" x 10" for GDA20 with deflection setting at 42° = 1.1 sq. feet.

AIR MEASUREMENT



2220A Velometer Jet for V_k velocity measurement CFM = A_k x V_k

LISTED WIDTH	LISTED HEIGHT								DEFLECTION						
	4	5	6	8	10	12	14	16	18	20	24	0°	22°	42°	55°
	6	5											.09	.08	.07
8	6											.11	.10	.09	.08
10	8	6										.17	.15	.13	.12
12	10	8										.22	.20	.18	.17
14	12	10	8									.28	.25	.23	.21
18	14	12										.33	.30	.27	.25
20	16	14	10									.39	.35	.32	.29
24	20	16	12	10								.50	.45	.41	.38
30	24	20	14	12								.67	.60	.55	.50
38	30	24	18	14	12							.78	.70	.64	.58
40	32	26	20	16	14							.89	.80	.73	.67
44	36	30	24	18	16	14						1.0	.90	.82	.75
44	36	26	22	18	16							1.1	1.0	.91	.83
48	40	30	24	20	18	16						1.3	1.2	1.1	1.0
	48	38	30	24	22	18						1.6	1.4	1.3	1.2
		40	32	28	24	20	18					1.8	1.6	1.5	1.3
		42	36	30	26	24	22	20				2.0	1.8	1.6	1.5
		46	42	36	30	26	24	22				2.2	2.0	1.8	1.7
			44	38	34	30	28	24				2.8	2.5	2.3	2.1
				48	42	36	34	28				3.3	3.0	2.7	2.5
					44	40	36	30				3.9	3.5	3.2	2.9
						48	42	36				4.5	4.0	3.6	3.3
							48	40				5.0	4.5	4.1	3.8
								42				5.6	5.0	4.5	4.2
								48				6.7	6.0	5.4	5.0

ENGINEERING PERFORMANCE DATA

SPIRAL DUCT GRILLES

Single and Double Deflection Adjustable - GDA Series



TOTAL AIR DROP FROM SIDEWALL OUTLET

The drop of an air stream varies directly with cooling temperature differential, throw and inversely with outlet velocity (V_k). The total drop of a cooled air stream is tabulated for two typical conditions of cooling temperature differentials and a range of throws and outlet velocities.

V_k in fpm	Sidewall Throw In Feet													
	10		15		20		25		30		40		50	
	- 18F	- 25F	- 18F	- 25F	- 18F	- 25F	- 18F	- 25F	- 18F	- 25F	- 18F	- 25F	- 18F	- 25F
500	3.5	4.0	5.5	6.0	7.5	8.5	9.0	10.0	10.5	13.5	15.5	18.0	18.5	23.0
750	2.5	3.5	4.0	5.5	6.0	6.5	7.0	8.0	8.5	10.5	11.5	14.5	15.0	18.5
1000	2.0	3.0	3.5	4.0	5.0	5.5	6.0	6.5	7.0	8.5	10.0	12.0	12.5	16.0
1250	2.0	2.5	3.0	3.5	4.5	5.0	5.5	6.0	6.5	7.5	9.0	11.0	11.5	13.5
1500	1.5	2.0	3.0	3.0	4.0	4.5	5.0	5.5	6.0	7.0	8.5	9.5	10.5	12.5
1750	1.0	2.0	2.5	2.5	3.5	4.0	4.5	5.0	5.5	6.5	8.0	9.0	10.0	11.5
2000	1.0	1.5	2.5	2.5	3.5	4.0	4.0	4.5	5.0	6.0	7.5	8.5	9.5	10.5

TOTAL AIR DROP

DROP DUE TO SPREAD + DROP DUE TO COOLING TEMPERATURE DIFFERENTIAL

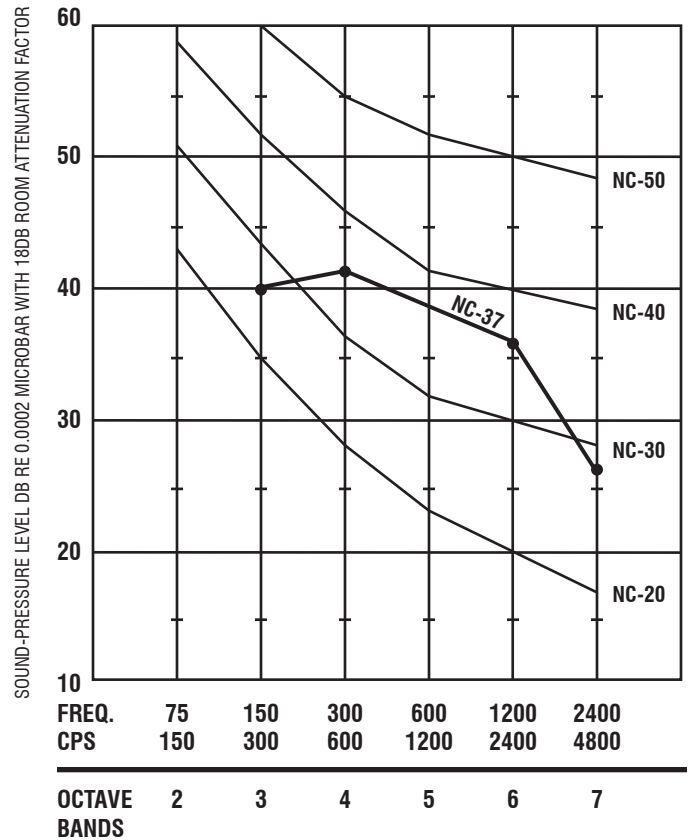
RECOMMENDED NC CRITERIA

NC Curve	Communication Environment	Typical Occupancy
Below NC 25	Extremely quiet environment, suppressed speech is quite audible, suitable for acute pickup of all sounds.	Broadcasting studios, concert halls, music rooms.
NC 30	Very quiet office, suitable for large conferences; telephone use satisfactory.	Resistances, theatres, libraries, executive offices, directors' rooms.
NC 35	Quiet office; satisfactory for conference at a 15 ft. table; normal voice 10-30 ft.; telephone use satisfactory.	Private offices, schools, hotel rooms, courtrooms, churches, hospital rooms.
NC 40	Satisfactory for conferences at a 6-8 ft. table; normal voice 6-12 ft.; telephone use satisfactory.	General offices, labs, dining rooms.
NC 45	Satisfactory for conferences at a 4-5 ft. table; normal voice 3-6 ft.; raised voice 6-12 ft.; telephone use occasionally difficult.	Retail store cafeterias, lobby areas, large drafting & engineering offices, reception areas.
Above NC 50	Unsatisfactory for conferences of more than two or three persons; normal voice 1-2 ft.; raised voice 3-6 ft.; telephone use slightly difficult.	IBM rooms, stenographic pools, print machine rooms, process areas.

TYPICAL NC SPECTRUM T64

24" x 6" 22° DEFLECTION

(975 CFM) V_k (1400 FPM)



ENGINEERING PERFORMANCE DATA

T-Bar lay-in return air grilles - Series GRT Fixed Bar Type 45° Deflected Bars



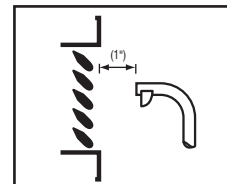
Listed Size W x H	A _K	NC 20-25 Application Non-Ducted		NC 25-30 Application Ducted		NC 30-40 Application Ducted	
		P _s		P _s		P _s	
		- .02"	- .03"	- .08"	- .10"	- .15"	- .20"
		CFM	CFM	CFM	CFM	CFM	CFM
10 x 6	.26	55	65	105	115	140	160
10 x 8	.34	75	90	145	160	195	225
12 x 8	.42	90	110	180	200	245	280
14 x 8	.50	110	135	220	245	300	345
12 x 10	.53	125	150	245	275	335	385
14 x 10	.63	155	190	310	345	420	485
12 x 12	.64	160	195	315	350	425	490
20 x 10	.75	170	205	335	375	455	525
14 x 14	.89	240	290	470	525	640	735
20 x 14	1.3	370	450	735	825	1005	1155
24 x 12	1.4	380	465	755	845	1030	1185
26 x 14	1.7	505	615	1000	1120	1365	1570
20 x 20	1.9	575	700	1140	1275	1555	1790
36 x 12	2.1	600	732	1195	1340	1635	1880
32 x 14	2.2	630	770	1255	1405	1715	1970
26 x 20	2.5	770	940	1530	1715	2090	2405
24 x 24	2.8	880	1075	1750	1960	2390	2750
32 x 20	3.2	970	1185	1930	2160	2635	3030
26 x 26	3.3	1040	1270	2070	2320	2830	3255
38 x 20	3.8	1170	1425	2320	2600	3170	3645
32 x 26	4.1	1320	1610	2625	2940	3585	4120
36 x 24	4.3	1355	1655	2695	3020	3685	4235
38 x 26	4.9	1580	1925	3135	3510	4280	4920
48 x 24	5.9	1940	2365	3855	4315	5265	6055
38 x 30	6.1	2010	2450	3995	4475	5460	6280
50 x 26	6.6	2130	2600	4240	4750	5795	6665
50 x 32	8.1	2700	3295	5370	6015	7340	8440
50 x 38	9.7	3220	3930	6405	7175	8755	10065

Performance of any size not shown in the tables will be the same as for the size shown with the same listed size area.

EXAMPLE:

A 38 x 18 size (not shown) has a listed area of 576 sq. in. Its performance will be identical to a 26 x 26 size (shown) which has the same listed size area of 576 sq. in.

AIR MEASUREMENT



SYMBOLS P_s Static Pressure Inches H₂O
A_K Outlet Area, 1" Out from Face
NC Re 10 db Room attenuation

2220A Velometer Jet for V_K velocity measurement.
CFM = A_K x V_K

GRILLES & REGISTERS



	ALUMINUM	STEEL	
MODELS	GAA1	GSA1	supply, single deflection
	GAA2	GSA2	supply, double deflection
	GAA4	GSA4	return, single row, fixed 45 degree



GSA20-H

Rev. 9

FRONT ROW BLADES DIRECTION: Parallel to width, (default) or add suffix H Parallel to height, add suffix V

DAMPERS: Grilles (no damper) Register (with damper): For registers with steel opposed blade damper: add suffix 7

Single deflection supply grilles and registers are recommended for applications requiring pattern adjustability in a single horizontal or vertical plane, sill or sidewall location at ceiling line, or heating application only.

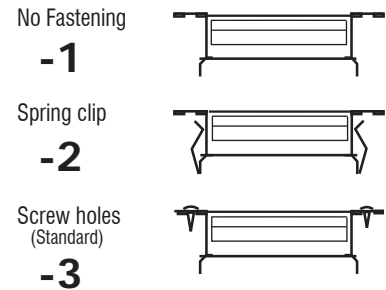
Double-deflection supply grilles and registers are recommended for application in systems requiring optimum flexibility of pattern change to accommodate changing job conditions.

The combination of streamlined foil shaped bars and 17 mm (2/3-inch) bar spacing maintains a high effective area capacity of greater than 80% which minimizes outlet velocity, reduces pressure drop and assures quiet operation. Individually adjustable bars are capable of shortening throw up to one-half with a wide spread deflection requiring only a 20% increase in outlet velocity at a fixed volume.

GAA Series (aluminum) have extruded aluminum frames with roll formed aluminum bars.

GSA Series (steel) have extruded aluminum frames with steel bars. This unique feature combines the beauty and rust resistance of the aluminium frame with the rigidity of steel bars.

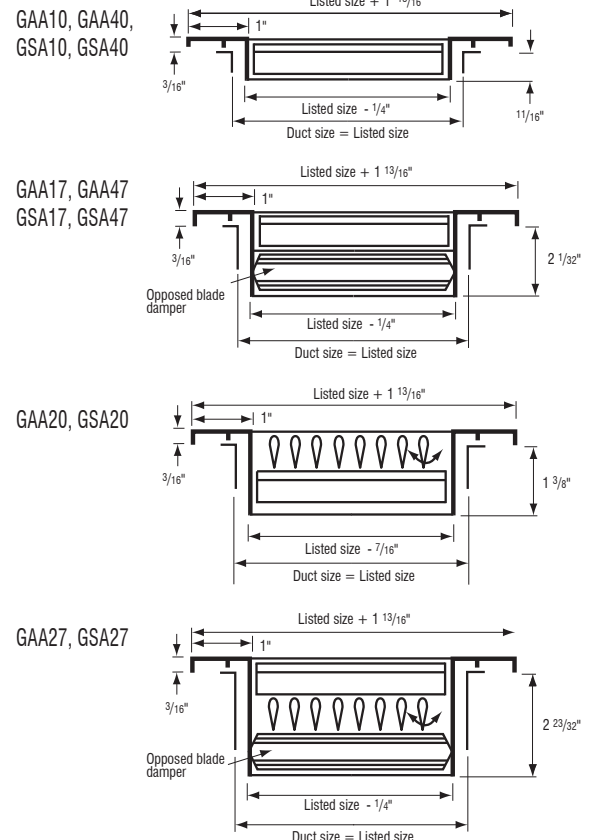
Fastening Methods



Accessories

-SF	-DS	-IS
Supplied w/ sub frame	Debris (Bird) Screen	Insect Screen

Dimensions



HOW TO ORDER GSA/GAA SERIES

GSA17-V -1-SF 1004 /W

MODEL SERIES GSA Steel GAA Aluminium	FINISH (Optional) White (Standard) /W Custom (See chart) /C
AIR PATTERN Single Adjust. 1 Double Adjust. 2 Single Fixed 4	WIDTH (INCHES)
GRILLE/REGISTER Grille 0 Register 7	LENGTH (INCHES)
BLADE ORIENTATION (Optional) Horizontal (Standard) -H Vertical -V	OPTIONS Sub Frame -SF Debris Screen -DS Insect Screen -IS
FASTENING METHOD (Optional) No Fastening -1 Spring Clip -2 Screw (Standard) -3	

MAX. LISTED SIZE: 36"x36" (multiple sections furnished for larger sizes)
FINISH: Powder baked enamel paint for durability. White is standard.
 (Other finishes available).

DATA SHEET

ENGINEERING PERFORMANCE DATA

SUPPLY AIR GRILLES AND REGISTERS

Single and Double Deflection adjustable Type - Series GSA & GAA



TABLE 1

LISTED HEIGHT					Outlet Velocity 450-600 FPM					Outlet Velocity 550-700 FPM					Outlet Velocity 600-800 FPM					Outlet Velocity 700-1000 FPM											
					CFM					Deflection				CFM					Deflection				CFM					Deflection			
										0°	22°	42°	55°						0°	22°	42°	55°						0°	22°	42°	55°
					CFM					V _K				CFM					V _K				CFM					V _K			
										450	500	550	600						550	600	650	700						600	700	750	800
					CFM					P _T				CFM					P _T				CFM					P _T			
.01	.01	.02	.02	.02						.02	.03	.03	.02						.03	.04	.04	.03						.04	.05	.06	
CFM					Throw (T) V _T 75				CFM					Throw (T) V _T 75				CFM					Throw (T) V _T 75								
					.01	.01	.02	.02						.02	.02	.03	.03						.02	.03	.04	.04	.03	.04	.05	.06	
4	5	6	8	10	12	14	16	18	20	24																					
6	5										40	6	5	4	3	45	8	7	6	4	60	10	9	7	5	65	11	10	8	6	
8	6										50	7	6	5	4	60	9	11	6	5	70	11	10	8	6	80	12	11	9	7	
10	8	6									75	9	7	6	5	90	10	9	7	6	100	12	11	9	7	125	13	12	10	8	
12	10	8									100	10	8	6	5	125	11	9	8	7	150	13	12	9	8	175	14	13	11	8	
14	12	10	8								125	11	9	7	6	150	12	11	9	7	175	14	13	10	8	200	16	14	11	9	
18	14	12									150	11	10	8	7	175	13	11	10	8	200	15	14	11	9	250	17	15	12	10	
20	16	14	10								175	12	11	9	7	200	15	13	11	9	250	17	15	12	9	275	19	17	14	11	
24	20	16	12	10							225	13	12	10	8	275	16	14	12	10	300	19	16	13	10	350	21	18	15	12	
30	24	20	14	12							300	14	13	11	9	350	18	15	13	10	425	20	17	15	11	475	24	20	17	13	
38	30	24	18	14	12						350	17	14	12	9	425	20	17	13	11	500	22	20	17	12	550	26	22	18	14	
40	32	26	20	16	14						400	18	16	13	10	475	21	18	15	12	550	24	21	18	13	650	28	24	20	15	
44	36	30	24	18	16	14					450	19	17	13	11	550	22	19	17	13	625	26	22	19	14	725	30	25	22	17	
44	36	26	22	18	16						500	20	17	14	12	600	24	20	18	13	700	27	24	20	15	800	32	27	23	18	
48	40	30	24	20	18	16					600	21	18	15	12	700	25	22	18	14	850	29	25	22	16	950	34	29	25	19	
48	40	38	30	24	22	18					700	23	20	17	13	850	28	24	20	15	975	33	28	24	18	1125	37	31	27	21	
	40	32	28	24	20	18					800	25	21	18	14	950	31	26	22	17	1125	35	30	26	20	1275	39	34	29	22	
	42	36	30	26	24	22	20				900	27	22	19	15	1100	32	27	23	18	1250	36	31	27	21	1450	42	36	31	23	
	46	42	36	30	26	24	22				1000	29	25	21	16	1200	34	29	25	19	1400	40	34	29	22	1600	45	39	34	25	
		44	38	34	30	28	24				1250	32	27	23	18	1500	36	30	27	23	1750	43	37	31	24	2000	48	43	36	27	
		48	42	36	34	28					1500	34	29	25	19	1800	39	32	29	25	2100	45	40	34	26	2400	52	46	39	30	
		44	40	36	30						1750	37	32	27	21	2100	42	35	32	27	2450	48	44	37	28	2800	55	49	42	32	
			48	42	36						2000	39	34	29	22	2400	45	38	34	29	2800	52	46	40	30	3200	58	52	44	34	
			48	40							2250	41	36	30	24	2700	48	40	36	31	3150	54	48	42	32	3600	61	54	46	37	
			42								2500	43	38	32	25	3000	51	42	38	33	3500	57	51	44	33	4000	64	57	49	39	
			48								3000	46	40	34	27	3600	54	45	40	35	4200	60	53	47	35	4800	68	60	52	42	

NC 30

NC 35



NC40

SYMBOLS

V_T Terminal Velocity in fpm
 V_R Room Velocity in fpm
 V_K Outlet Velocity in fpm

A_K Outlet area in Sq. Feet
 P_T Total Pressure H₂O
 P_S Static Pressure H₂O

NC Re 8db Room attenuation
 T Throw in feet at X and Y

ENGINEERING PERFORMANCE DATA

SUPPLY AIR GRILLES AND REGISTERS

Single and Double Deflection adjustable Type - Series GSA & GAA



AIR PATTERN SETTINGS

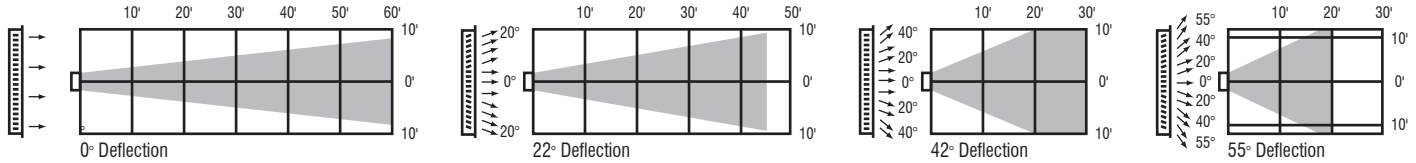


TABLE 1 (Cont'd)

LISTED HEIGHT				Outlet Velocity 900-1200 FPM					Outlet Velocity 1100-1450 FPM				Outlet Velocity 1250-1700 FPM				Outlet Velocity 1450-1900 FPM														
				CFM	Deflection				CFM	Deflection				CFM	Deflection				CFM	Deflection											
					0°	20°	40°	55°		0°	20°	40°	55°		0°	20°	40°	55°		0°	20°	40°	55°								
					V _k					V _k					V _k					V _k											
					900	1000	1100	1200		1100	1200	1300	1450		1250	1400	1550	1700		1450	1600	1750	1900								
					P _r					P _r					P _r					P _r											
Throw (T) V _r 75				Throw (T) V _r 75				Throw (T) V _r 75				Throw (T) V _r 75																			
4	5	6	8	10	12	14	16	18	20	24																					
6	5										80	13	11	9	7	100	15	13	11	8	125	19	16	13	10	150	22	19	15	12	
8	6										100	15	13	11	8	125	18	15	13	10	150	21	18	14	11	175	25	21	17	13	
10	8	6									150	17	14	12	9	175	20	17	14	11	200	24	20	17	13	225	27	23	19	15	
12	10	8									200	18	15	13	10	250	22	19	15	12	275	25	21	18	14	325	29	25	21	17	
14	12	10	8								250	21	18	15	11	300	15	21	18	14	350	28	25	20	15	400	33	28	24	18	
18	14	12									300	24	20	16	13	350	27	24	20	15	425	31	27	22	17	475	36	32	26	20	
20	16	14	10								350	25	21	18	14	425	30	25	21	17	500	34	30	25	19	550	39	32	27	21	
24	20	16	12	10							450	27	23	19	15	550	32	28	24	18	625	37	32	27	22	725	42	36	31	24	
30	24	20	14	12							600	29	25	21	16	725	35	30	26	20	850	41	35	30	23	950	45	40	34	26	
38	30	24	18	14	12						700	32	28	24	18	850	39	33	28	21	975	45	39	33	25	1125	49	43	38	28	
40	32	26	20	16	14						800	34	30	25	19	950	41	35	30	22	1125	48	41	35	27	1275	52	46	40	31	
44	36	30	24	18	16	14					900	36	31	26	20	1075	43	37	32	24	1250	51	43	37	28	1450	55	49	42	32	
44	36	26	22	18	16						1000	39	33	28	22	1200	45	40	34	26	1400	53	45	39	30	1600	58	51	44	34	
48	40	30	24	20	18	16					1200	42	36	31	24	1450	48	42	36	28	1675	57	48	42	32	1925	61	54	46	36	
48	38	30	24	22	18						1400	45	39	34	26	1675	52	45	40	31	1950	60	51	45	35	2250	58	49	40	34	
	40	32	28	24	20	18					1600	47	43	37	28	1925	56	48	43	34	2250		54	47	39	2500		62	53	43	
	42	36	30	26	24	22	20				1800	49	44	40	31	2150	59	51	46	35	2500		57	50	41	2750		56	46	36	
	46	42	36	30	26	24	22				2000	52	47	42	32	2400		54	49	38	2800		61	53	43	3200		59	48	38	
			44	38	34	30	28	24			2500	56	50	45	34	3000		59	53	41	3500				58	47	4000			54	39
			48	42	36	34	28				3000	60	54	48	36	3600			58	44	4200				58	52	4800			59	40
				44	40	36	30				3500		59	53	40	4200				49	4900				56					54	41
					48	42	36				4000			57	43	4800				54	5600				60					58	42
					48	40					4500			60	45	5400				58										58	44
					42						5000				49																
					48						6000				54																

ENGINEERING PERFORMANCE DATA

SUPPLY AIR GRILLES AND REGISTERS

Single and Double Deflection adjustable Type - Series GSA & GAA



THROW FACTORS

Throw values (T) in Table 1 are based on a Terminal Velocity (V_T) of 75 fpm. Throw values at other terminal velocities (V_T 50 to V_T 150 fpm) are established by multiplying throw (T) in table 1 by Throw Factor in table below.

Multiply Throw (T) in Table 1 by Factor				
VT (fpm)	50	75	100	150
Throw factor	x 1.5	x 1.0	x .76	x .5

Grille sound ratings will be increased by integral or localized air volume dampering, by non-uniform air flow in the grille collar and by the addition of inherent system noise.

REGISTER THROTTLING CORRECTION

Damper throttling effect (excess pressure drop due to part closing of damper)	Press. Drop In. H ₂ O		
	.05"	.05"	.05"
Approximate damper opening	3/4	2/3	1/2
NC addition to single outlet sound rating	5	10	15

Damper throttling effect = excess pressure drop created by partially closing the register damper.

NC addition to be added to NC values of table 1.

Performance of any size not shown in the tables will be the same as for the size shown with the same listed size area.

EXAMPLE:

A 36 x 16 size (not shown) has a listed area of 576 sq. in. Its performance will be identical to a 24 x 24 size (shown) which has the same listed size area of 576 sq. in.

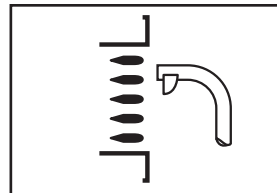
A_K OUTLET AREA IN SQ. FEET

LISTED WIDTH	LISTED HEIGHT								DEFLECTION						
	4	5	6	8	10	12	14	16	18	20	24	0°	22°	42°	55°
	6	5											.09	.08	.07
8	6											.11	.10	.09	.08
10	8	6										.17	.15	.13	.12
12	10	8										.22	.20	.18	.17
14	12	10	8									.28	.25	.23	.21
18	14	12										.33	.30	.27	.25
20	16	14	10									.39	.35	.32	.29
24	20	16	12	10								.50	.45	.41	.38
30	24	20	14	12								.67	.60	.55	.50
38	30	24	18	14	12							.78	.70	.64	.58
40	32	26	20	16	14							.89	.80	.73	.67
44	36	30	24	18	16	14						1.0	.90	.82	.75
44	36	26	22	18	16							1.1	1.0	.91	.83
48	40	30	24	20	18	16						1.3	1.2	1.1	1.0
48	38	30	24	22	18							1.6	1.4	1.3	1.2
48	40	32	28	24	20	18						1.8	1.6	1.5	1.3
		42	36	30	26	24	22	20				2.0	1.8	1.6	1.5
		46	42	36	30	26	24	22				2.2	2.0	1.8	1.7
				44	38	34	30	28	24			2.8	2.5	2.3	2.1
					48	42	36	34	28			3.3	3.0	2.7	2.5
						44	40	36	30			3.9	3.5	3.2	2.9
							48	42	36			4.5	4.0	3.6	3.3
								48	40			5.0	4.5	4.1	3.8
									42			5.6	5.0	4.5	4.2
									48			6.7	6.0	5.4	5.0

Example;

Listed size 24 x 10 GAA27 deflection setting 42° A_K area = 1.1 sq. feet.

AIR MEASUREMENT



2220A Velometer Jet for V_K velocity measurement CFM = $A_K \times V_K$

ENGINEERING PERFORMANCE DATA

SUPPLY AIR GRILLES AND REGISTERS

Single and Double Deflection adjustable Type - Series GSA & GAA



Total air drop from sidewall outlet

The drop of an air stream varies directly with cooling temperature differential, throw and inversely with outlet velocity (V_k). The total drop of a cooled air stream is tabulated for two typical conditions of cooling temperature differentials and a range of throws and outlet velocities.

V_k in fpm	Sidewall Throw In Feet													
	10		15		20		25		30		40		50	
	- 18F	- 25F	- 18F	- 25F	- 18F	- 25F	- 18F	- 25F	- 18F	- 25F	- 18F	- 25F	- 18F	- 25F
500	3.5	4.0	5.5	6.0	7.5	8.5	9.0	10.0	10.5	13.5	15.5	18.0	18.5	23.0
750	2.5	3.5	4.0	5.5	6.0	6.5	7.0	8.0	8.5	10.5	11.5	14.5	15.0	18.5
1000	2.0	3.0	3.5	4.0	5.0	5.5	6.0	6.5	7.0	8.5	10.0	12.0	12.5	16.0
1250	2.0	2.5	3.0	3.5	4.5	5.0	5.5	6.0	6.5	7.5	9.0	11.0	11.5	13.5
1500	1.5	2.0	3.0	3.0	4.0	4.5	5.0	5.5	6.0	7.0	8.5	9.5	10.5	12.5
1750	1.0	2.0	2.5	2.5	3.5	4.0	4.5	5.0	5.5	6.5	8.0	9.0	10.0	11.5
2000	1.0	1.5	2.5	2.5	3.5	4.0	4.0	4.5	5.0	6.0	7.5	8.5	9.5	10.5

TOTAL AIR DROP

DROP DUE TO SPREAD + DROP DUE TO COOLING TEMPERATURE DIFFERENTIAL

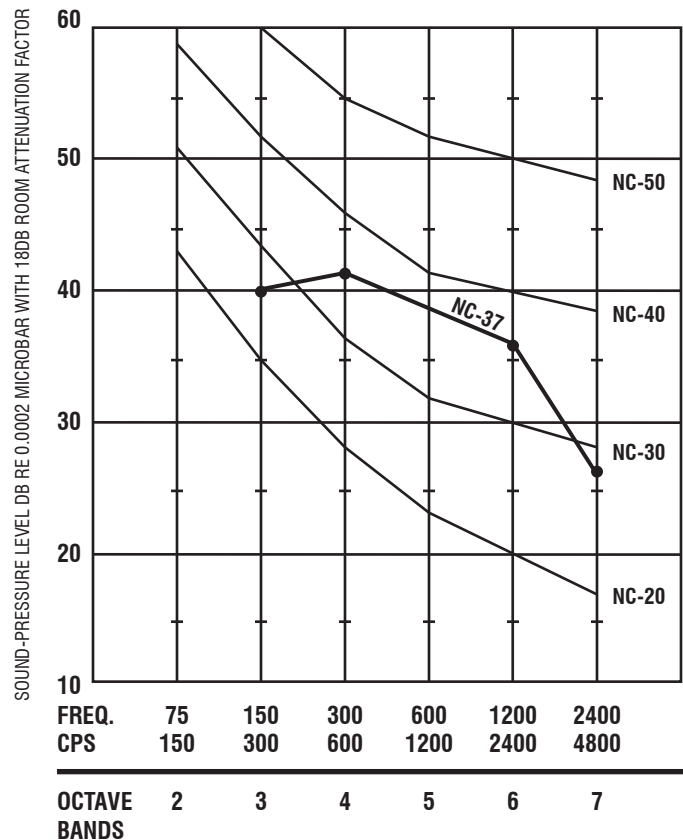
RECOMMENDED NC CRITERIA

NC Curve	Communication Environment	Typical Occupancy
Below NC 25	Extremely quiet environment, suppressed speech is quite audible, suitable for acute pickup of all sounds.	Broadcasting studios, concert halls, music rooms.
NC 30	Very quiet office, suitable for large conferences; telephone use satisfactory.	Resistances, theatres, libraries, executive offices, directors' rooms.
NC 35	Quiet office; satisfactory for conference at a 15 ft. table; normal voice 10-30 ft.; telephone use satisfactory.	Private offices, schools, hotel rooms, courtrooms, churches, hospital rooms.
NC 40	Satisfactory for conferences at a 6-8 ft. table; normal voice 6-12 ft.; telephone use satisfactory.	General offices, labs, dining rooms.
NC 45	Satisfactory for conferences at a 4-5 ft. table; normal voice 3-6 ft.; raised voice 6-12 ft.; telephone use occasionally difficult.	Retail store cafeterias, lobby areas, large drafting & engineering offices, reception areas.
Above NC 50	Unsatisfactory for conferences of more than two or three persons; normal voice 1-2 ft.; raised voice 3-6 ft.; telephone use slightly difficult.	IBM rooms, stenographic pools, print machine rooms, process areas.

TYPICAL NC SPECTRUM T64

24" x 6" 22° DEFLECTION

(975 CFM) V_k (1400 FPM)



ENGINEERING PERFORMANCE DATA

RETURN AIR GRILLES AND REGISTERS

Fixed Bar Type 45° Deflected Bars



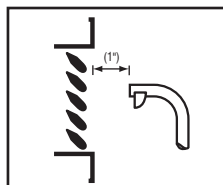
Listed Size W x H	A _K	NC 20-25 Application Non-Ducted		NC 25-30 Application Ducted		NC 30-40 Application Ducted	
		P _s		P _s		P _s	
		- .02"	- .03"	- .08"	- .10"	- .15"	- .20"
		CFM	CFM	CFM	CFM	CFM	CFM
8 x 4	.26	55	65	105	115	140	160
8 x 6	.34	75	90	145	160	195	225
10 x 6	.42	90	110	180	200	245	280
12 x 6	.50	110	135	220	245	300	345
10 x 8	.53	125	150	245	275	335	385
12 x 8	.63	155	190	310	345	420	485
10 x 10	.64	160	195	315	350	425	490
18 x 6	.75	170	205	335	375	455	525
12 x 12	.89	240	290	470	525	640	735
18 x 12	1.3	370	450	735	825	1005	1155
22 x 10	1.4	380	465	755	845	1030	1185
24 x 12	1.7	505	615	1000	1120	1365	1570
18 x 18	1.9	575	700	1140	1275	1555	1790
34 x 10	2.1	600	732	1195	1340	1635	1880
30 x 12	2.2	630	770	1255	1405	1715	1970
24 x 18	2.5	770	940	1530	1715	2090	2405
22 x 22	2.8	880	1075	1750	1960	2390	2750
30 x 18	3.2	970	1185	1930	2160	2635	3030
24 x 24	3.3	1040	1270	2070	2320	2830	3255
36 x 18	3.8	1170	1425	2320	2600	3170	3645
30 x 24	4.1	1320	1610	2625	2940	3585	4120
34 x 22	4.3	1355	1655	2695	3020	3685	4235
36 x 24	4.9	1580	1925	3135	3510	4280	4920
46 x 22	5.9	1940	2365	3855	4315	5265	6055
36 x 30	6.1	2010	2450	3995	4475	5460	6280
48 x 24	6.6	2130	2600	4240	4750	5795	6665
48 x 30	8.1	2700	3295	5370	6015	7340	8440
48 x 36	9.7	3220	3930	6405	7175	8755	10065

Performance of any size not shown in the tables will be the same as for the size shown with the same listed size area.

EXAMPLE:

A 36 x 16 size (not shown) has a listed area of 576 sq. in. Its performance will be identical to a 24 x 24 size (shown) which has the same listed size area of 576 sq. in.

AIR MEASUREMENT



SYMBOLS P_s Static Pressure Inches H₂O
 A_K Outlet Area, 1" Out from Face
 NC Re 10 db Room attenuation

2220A Velometer Jet for V_K velocity measurement.
 CFM = A_K x V_K

HOW TO SPECIFY GRILLES AND REGISTERS



Single Deflection Aluminum Supply Register

Supply and mounting of single deflection register with opposed blade damper, series **GAA17**. 2/3 inch blade spacing, constructed from powder coated aluminum, manufactured by Airvector.

Single Deflection Aluminum Return Grille

Supply and mounting of single deflection return grille, series **GAA10**. 2/3 inch blade spacing, constructed from powder coated aluminum, manufactured by Airvector.

Single Deflection Steel Supply Register

Supply and mounting of single deflection register with opposed blade damper, series **GSA17**. 2/3 inch blade spacing, constructed from powder coated aluminum frame and steel blades, manufactured by Airvector.

Single Deflection Steel Return Grille

Supply and mounting of single deflection return grille, series **GSA10**. 2/3 inch blade spacing, constructed from powder coated aluminum frame and steel blades, manufactured by Airvector.

Double Deflection Aluminum Supply Register

Supply and mounting of double deflection register with opposed blade damper, series **GAA27**. 2/3 inch blade spacing, constructed from powder coated aluminum, manufactured by Airvector.

Double Deflection Aluminum Return Grille

Supply and mounting of double deflection return grille, series **GAA20**. 2/3 inch blade spacing, constructed from powder coated aluminum, manufactured by Airvector.

Double Deflection Steel Supply Register

Supply and mounting of double deflection register with opposed blade damper, series **GSA27**. 2/3 inch blade spacing, constructed from powder coated aluminum frame and steel blades, manufactured by Airvector.

Double Deflection Steel Return Grille

Supply and mounting of double deflection return grille, series **GSA20**. 2/3 inch blade spacing, constructed from powder coated aluminum frame and steel blades, manufactured by Airvector.

Fixed 45° Aluminum Supply Register

Supply and mounting of 45 degree fixed blade register with opposed blade damper, series **GAA47**. 2/3 inch blade spacing, constructed from powder coated aluminum, manufactured by Airvector.

Fixed 45° Aluminum Return Grille

Supply and mounting of 45 degree fixed blade return grille, series **GAA40**. 2/3 inch blade spacing, constructed from powder coated aluminum, manufactured by Airvector.

Fixed 45° Steel Supply Register

Supply and mounting of 45 degree fixed blade register with opposed blade damper, series **GSA47**. 2/3 inch blade spacing, constructed from powder coated aluminum frame and steel blades, manufactured by Airvector.

Fixed 45° Steel Return Grille

Supply and mounting of 45 degree fixed blade return grille, series **GSA40**. 2/3 inch blade spacing, constructed from powder coated aluminum frame and steel blades, manufactured by Airvector.

SQUARE DIFFUSERS



MODELS ISA, ISAI, ISAM ARCHITECTURAL PLAQUE DIFFUSERS

MODEL **ISA** - Square neck

MODEL **ISAM** - Round neck

MODEL **ISAI** - Insulated

ISA Series supply diffusers are recommended for heating, ventilating and cooling.

The ISA series provide a 360° air diffusion pattern with an adjustable opening. The face panel can be adjustable by the means of four spring-loaded countersunk screws to increase or decrease the air throw.

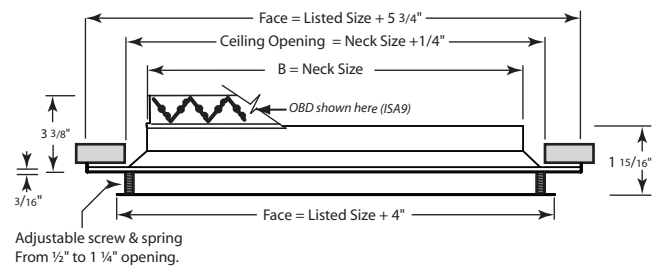
Features:

- Full Face 12"x12", 15"x15", 18"x18", 21"x21" and 24"x24"
- 1 Way, 2 Way Opposed, 2 Way Corner, 3 Way or 4 Way
- Commercial-grade aluminum construction
- Core can be easily removed without tools
- Ideal for VAV systems
- Powder paint coating - White (default) Custom colours avail.

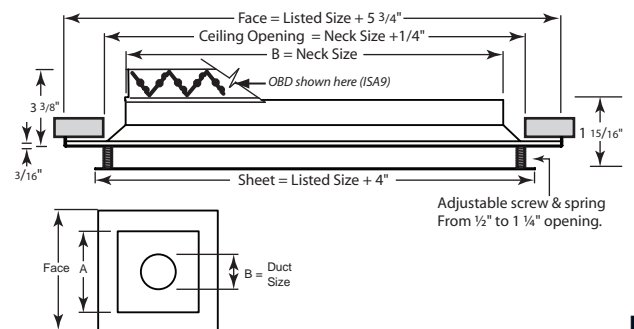


ISA

ISA/ISA9



ISAM/ISAM4/ISAM5



PERFORMANCE DATA

SERIES ISA

PLAQUE DIFFUSERS



6" x 6" Square Neck

Face Oppening (inches)	Neck Velocity (fpm)	165	250	335	420	625	830	1035	1240	1445
	Velocity Pressure (in H ₂ O)	.003	.005	.007	.011	.024	.041	.064	.091	.123
	Airflow, CFM	50	70	90	110	160	210	260	310	360
1.25"	Total Pressure				.04	.07	.11	.17	.24	.32
	NC				14	19	22	26	31	37
	Throw (ft)				1	3	5	6	7	9
1"	Total Pressure			.03	.04	.08	.12	.18	.27	.35
	NC			-	14	19	22	26	32	38
	Throw (ft)			1	2	4	6	7	9	11
0.75"	Total Pressure	.01	.02	.03	.04	.09	.14	.22	.31	.42
	NC	-	-	-	14	19	22	26	32	38
	Throw (ft)	1	2	3	4	5	7	8	9	11
0.5"	Total Pressure	.02	.03	.04	.06	.11	.29	.28	.42	.57
	NC	-	-	-	21	24	31	38	43	47
	Throw (ft)	2	3	4	5	6	8	9	10	12

9" x 9" Square Neck

Face Oppening (inches)	Neck Velocity (fpm)	94	144	193	287	381	474	568	751	845
	Velocity Pressure (in H ₂ O)	-	.001	.003	.005	.009	.013	.019	.032	.141
	Airflow, CFM	60	85	110	160	210	260	310	410	460
1.25"	Total Pressure				.02	.02	.04	.07	.11	.13
	NC				13	18	21	24	33	38
	Throw (ft)				2	3	5	6	8	10
1"	Total Pressure			.02	.03	.04	.06	.08	.13	.16
	NC			-	14	19	22	25	34	40
	Throw (ft)			2	4	5	6	7	10	12
0.75"	Total Pressure		.01	.02	.03	.05	.08	.11	.18	.22
	NC		-	-	15	20	23	36	36	41
	Throw (ft)		2	3	6	6	7	9	11	13
0.5"	Total Pressure	-	.01	.03	.05	.07	.13	.18	.30	.38
	NC	-	-	-	15	21	23	27	38	43
	Throw (ft)	2	3	4	6	7	9	10	13	14

12" x 12" Square Neck

Face Oppening (inches)	Neck Velocity (fpm)	55	110	165	220	275	330	435	540	650
	Velocity Pressure (in H ₂ O)	-	.001	.003	.004	.005	.007	.011	.016	.024
	Airflow, CFM	60	110	160	210	260	310	410	510	560
1.25"	Total Pressure			.01	.02	.03	.04	.05	.08	.10
	NC			-	14	19	22	26	31	37
	Throw (ft)			3	4	6	7	9	12	13
1"	Total Pressure		-	.01	.02	.04	.05	.07	.10	.13
	NC		-	-	14	18	22	26	32	38
	Throw (ft)		2	4	5	7	8	10	13	15
0.75"	Total Pressure		.01	.02	.04	.05	.07	.10	.16	.19
	NC		3	5	6	7	9	11	14	15
	Throw (ft)		-	-	14	19	23	28	36	38
0.5"	Total Pressure	-	.03	.04	.06	.08	.11	.19	.29	.35
	NC	-	-	-	15	21	24	31	39	46
	Throw (ft)	2	3	4	5	6	8	9	15	17

NC Value based on 10 db room attenuation.

Throw Values are based on isothermal air and terminal velocities of 150 fpm, 100 fpm & 75 fpm respectively
Total Pressure the sum of static pressure plus velocity pressure and is given in inches w.g.

PERFORMANCE DATA

SERIES ISA

PLAQUE DIFFUSERS



15" x 15" Square Neck

Face Opening (inches)	Neck Velocity (fpm)	37	74	111	148	215	286	355	424	493
	Velocity Pressure (in H ₂ O)	.001	.002	.002	.002	.003	.005	.007	.010	.014
	Airflow, CFM	50	100	150	200	300	400	500	600	700
1.25"	Total Pressure				.01	.02	.03	.05	.07	.10
	NC				–	19	23	27	34	40
	Throw (ft)				–	5	6	9	10	12
1"	Total Pressure			.03	.04	.08	.12	.18	.27	.35
	NC			–	14	20	24	29	36	43
	Throw (ft)			2	4	6	8	10	12	14
0.75"	Total Pressure		.01	.01	.02	.04	.08	.11	.15	.20
	NC		–	–	–	16	22	27	33	41
	Throw (ft)		2	4	5	8	11	13	15	17
0.5"	Total Pressure	.01	.02	.03	.04	.08	.14	.21	.29	.39
	NC	–	–	–	16	22	27	33	41	49
	Throw (ft)	2	3	5	6	9	12	15	18	21

18" x 18" Square Neck

Face Opening (inches)	Neck Velocity (fpm)	27	54	104	153	203	252	302	351	401
	Velocity Pressure (in H ₂ O)	.001	.002	.002	.002	.003	.004	.006	.007	.009
	Airflow, CFM	50	100	200	300	400	500	600	700	800
1.25"	Total Pressure			.01	.03	.04	.06	.08	.11	.14
	NC			–	15	21	23	19	34	41
	Throw (ft)			2	4	6	7	9	11	13
1"	Total Pressure			.02	.03	.04	.06	.08	.11	.14
	NC			–	15	21	25	29	36	44
	Throw (ft)			3	5	8	9	10	14	15
0.75"	Total Pressure	.01	.01	.02	.04	.06	.08	.13	.16	.21
	NC	–	–	–	16	22	26	32	38	47
	Throw (ft)	2	3	5	7	9	10	14	16	18
0.5"	Total Pressure	–	.01	.03	.06	.11	.15	.23	.30	.39
	NC	–	–	11	17	23	28	34	41	51
	Throw (ft)	2	4	6	9	12	14	17	19	21

NC Value based on 10 db room attenuation.

Throw Values are based on isothermal air and terminal velocities of 150 fpm, 100 fpm & 75 fpm respectively
Total Pressure the sum of static pressure plus velocity pressure and is given in inches w.g.

PERFORMANCE DATA

SERIES ISA/ISAM

PLAQUE DIFFUSERS



HOW TO ORDER ISA SERIES

ISA-3-A1-ES-Y2424 0606 /W

MODEL SERIES

Adjustable Plaque Diffusers **ISA**
 ...with OBD **ISA9**
 ...Insulated **ISAI**

FINISH (OPTIONAL)
 Standard is White (**/W**)
 See chart for more

MOUNTING (OPTIONAL)

Default is lay-In (-0),
 no need to specify

Lay-In (default)	-0
Screw Holes in Face	-3
Concealed	-4

NECK DIMENSIONS

In Inches

6" x 6"	0606
9" x 9"	0909
12" x 12"	1212
15" x 15"	1515
18" x 18"	1818

DIRECTION (OPTIONAL)

1 Baffle	-A1
2 Corner Baffles	-AC
2 Opposed Baffles	-AO
3 Baffles	-A3
4 Baffles	-A4

FACE DIMENSIONS

12" x 24"	-Y1224
24" x 12"	-Y2412
24" x 24"	-Y2424
24" x 48"	-Y2448
48" x 24"	-Y4824
20" x 20"	-Y2020

OPTION

Square equalizing grid **-ES**

HOW TO ORDER ISAM SERIES

ISAM-3-A1 R4 EG-Y2424 0606 06 /W

MODEL SERIES

Adjustable Plaque Diffusers **ISAM**
 ...with OBD **ISAM4**
 ...Insulated **ISAM5**

FINISH (OPTIONAL)
 Standard is White (**/W**)
 See chart for more

MOUNTING (OPTIONAL)

Default is lay-In (-0),
 no need to specify

Lay-In (default)	-0
Screw Holes in Face	-3
Concealed	-4

NECK DIMENSIONS

In Inches

6"	06
8"	08
10"	10
12"	12
14"	14

DIRECTION (OPTIONAL)

1 Baffle	-A1
2 Corner Baffles	-AC
2 Opposed Baffles	-AO
3 Baffles	-A3
4 Baffles	-A4

NECK DIMENSIONS

In Inches

6" x 6"	0606
9" x 9"	0909
12" x 12"	1212
15" x 15"	1515
18" x 18"	1818

INSULATION (OPTIONAL)

Default is uninsulated,
 no need to specify

R4.2 Taped Insulation	-R4
R6 Taped Insulation	-R6

FACE DIMENSIONS

12" x 24"	-Y1224
24" x 12"	-Y2412
24" x 24"	-Y2424
24" x 48"	-Y2448
48" x 24"	-Y4824
20" x 20"	-Y2020

OPTION

Square equalizing grid **-ES**

SQUARE DIFFUSERS



MODELS ISO, ISOD, ISOI ARCHITECTURAL PLAQUE DIFFUSERS

MODEL **ISO** - Round neck

MODEL **ISOD** - 2" high collar, single-box

MODEL **ISOI** - R6 Insulated - Pre-scored for collars

ISO Series supply diffusers are recommended for heating, ventilating and cooling.

The ISO series provide a 360° air diffusion pattern similar to a full round diffuser. High diffusion induction rates result in rapid temperature and velocity equalization of the mixed air mass well above the zone of occupancy. Horizontal performance assures confident use of cooling temperature differential of 30°F and greater, at predicted low air motion 35 fpm in the zone of occupancy. ISO Series supply diffusers perform efficiently with air loadings of 6 to 30 air changes per hour (based on 10 ft. ceiling height), and sound level range of NC 25 to 35.

Features:

- Full face 24" x 24" for all neck sizes.
- Full face 12" x 12" for 6" & 8" neck sizes.
- Heavy-gauge all-steel construction.
- Ideal for VAV systems.
- Powder paint coating - White (default) Custom colours avail.
- Matching OBD dampers, NBI baffle, and PF plaster frame available.

ISO Model Size	Neck Dia	Nominal Face Size	Overall Face Size B x B	Drywall Ceiling Opening
1206	6	12 x 12	11 ³ / ₄ x 11 ³ / ₄	10 ¹ / ₂ x 10 ¹ / ₂
1208	8	12 x 12	11 ³ / ₄ x 11 ³ / ₄	10 ¹ / ₂ x 10 ¹ / ₂
2406	6	24 x 24	23 ³ / ₄ x 23 ³ / ₄	22 ¹ / ₂ x 22 ¹ / ₂
2408	8	24 x 24	23 ³ / ₄ x 23 ³ / ₄	22 ¹ / ₂ x 22 ¹ / ₂
2410	10	24 x 24	23 ³ / ₄ x 23 ³ / ₄	22 ¹ / ₂ x 22 ¹ / ₂
2412	12	24 x 24	23 ³ / ₄ x 23 ³ / ₄	22 ¹ / ₂ x 22 ¹ / ₂
2414	14	24 x 24	23 ³ / ₄ x 23 ³ / ₄	22 ¹ / ₂ x 22 ¹ / ₂

Model	Nominal Face Size	Overall Face Size B x B
ISOI	24 x 24	23 ³ / ₄ x 23 ³ / ₄

All dimensions in inches



ISOI fiberglass back.



ISO

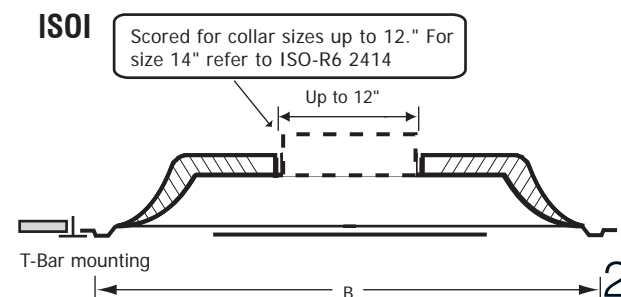
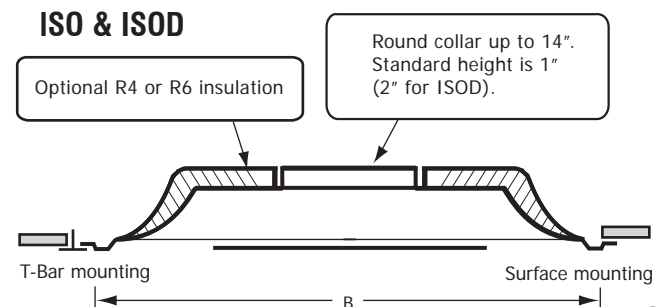
Highlights:

- **ISO** model suits both T-Bar and Drywall installation using rigid ducts
- Removable core for access to optional damper

Insulation:

ISO & ISOD - Optional R4 or R6 insulation. R6 fiberglass insulation complies with A.S.T.M. E84 flame and smoke test. Only available on models with 24" x 24" face.

ISOI - R6 fiberglass insulation.



DATA SHEET

PERFORMANCE DATA

SERIES ISO

PLAQUE DIFFUSERS



12" x 12" face

SIZE (inches)	Neck Velocity (fpm)	400	500	600	700	800	1000	1200	1400	1600
	Velocity Pressure (in H ₂ O)	.010	.016	.022	.031	.041	.062	.090	.122	.160
6	CFM	78	98	118	137	157	196	235	274	313
	Total Pressure	.05	.07	.10	.14	.18	.29	.41	.58	.72
	NC	< 20	< 20	< 20	< 20	<20	21	24	29	37
	Throw (ft)	2-3-6	3-4-7	4-5-9	4-5-10	5-6-11	6-8-12	7-9-13	8-10-15	9-11-16
8	CFM	140	175	209	244	279	349	419	489	559
	Total Pressure	.07	.10	.15	.21	.29	.42	.62	.84	1.00
	NC	< 20	< 20	< 20	<20	<20	25	30	38	45
	Throw (ft)	2-4-7	3-5-9	4-7-10	5-8-11	6-9-12	7-10-14	8-12-17	10-12-18	11-14-20

24" x 24" face

SIZE (inches)	Neck Velocity (fpm)	400	500	600	700	800	1000	1200	1400	1600
	Velocity Pressure (in H ₂ O)	.010	.016	.022	.031	.041	.062	.090	.122	.160
6	CFM	78	98	118	137	157	196	235	274	313
	Total Pressure	.02	.03	.04	.05	.08	.1	.14	.19	.24
	NC	< 20	< 20	< 20	< 20	<20	23	27	32	37
	Throw (ft)	1-2-4	2-3-4	2-3-5	2-3-6	3-4-7	4-5-8	4-6-9	4-7-10	6-8-14
8	CFM	140	175	209	244	279	349	419	489	559
	Total Pressure	.02	.03	.04	.06	.08	.11	.17	.23	.29
	NC	< 20	< 20	< 20	<20	<20	28	32	36	41
	Throw (ft)	2-3-5	2-3-7	3-4-8	3-5-8	4-6-9	5-7-11	6-8-14	7-9-14	7-10-14
10	CFM	218	273	327	382	436	545	654	763	872
	Total Pressure	.03	.04	.06	.08	.11	.18	.24	.35	.48
	NC	< 20	< 20	< 20	<20	23	29	36	40	44
	Throw (ft)	3-4-6	4-5-8	4-6-10	5-7-12	6-8-14	7-9-15	8-11-16	9-12-17	10-13-19
12	CFM	314	393	471	550	628	785	941	1099	1246
	Total Pressure	.04	.06	.08	.13	.16	.25	.35	.50	.67
	NC	< 20	< 20	<20	21	24	31	38	43	47
	Throw (ft)	4-5-9	5-6-10	6-7-10	6-8-13	7-9-15	8-11-18	10-13-20	11-15-21	12-16-22
14	CFM	492>	615	738	861	984	1230	1476	1722	1968
	Total Pressure	.05	.08	.13	.16	.22	.32	.43	.59	.80
	NC	< 20	< 20	<20	22	27	34	40	43	47
	Throw (ft)	4-6-10	5-6-11	6-8-14	7-10-16	8-11-18	10-14-20	12-15-22	12-17-23	14-19-24

NC Value based on 10 db room attenuation.

Throw Values are based on isothermal air and terminal velocities of 150 fpm, 100 fpm & 75 fpm respectively.
Total Pressure the sum of static pressure plus velocity pressure and is given in inches w.g.

DATA SHEET

HOW TO ORDER ISO SERIES

ISO-R4-W3-S 2408 /W

MODEL SERIES
Plaque Diffuser **ISO**
Plaque Diffuser,
... 2" Collar, Single-Box **ISOD**

INSULATION (OPTIONAL)
Standard is uninsulated
R4.2 Taped Insulation **-R4**
R6 Taped Insulation **-R6**

DIRECTION (OPTIONAL)
Standard is 4 Way
1 Way **-W1**
2 Way Corner **-WC**
2 Way Opposed **-WO**
3 Way **-W3**

NECK DIAMETER
In Inches
06-08-10-12-14"

FACE DIMENSIONS
12" x 12" **12**
24" x 24" **24**

PACKAGING (OPTIONAL)
Standard is 2 per box
Single Box **-S**

FINISH (OPTIONAL)
Standard is White (**/W**)
See chart for more

HOW TO ORDER ISOI

ISOI-S /W

MODEL SERIES
Plaque Diffuser **ISOI**

PACKAGING (OPTIONAL)
Standard is 2 per box
Single Box **-S**

FINISH (OPTIONAL)
Standard is White (**/W**)
See chart for more

MODELS LRMF-LRIF-LRTF

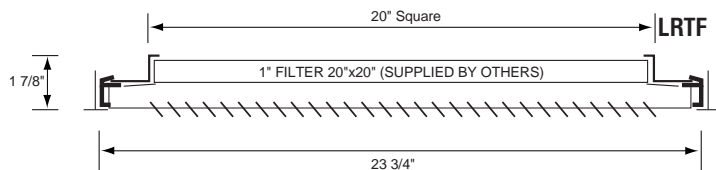
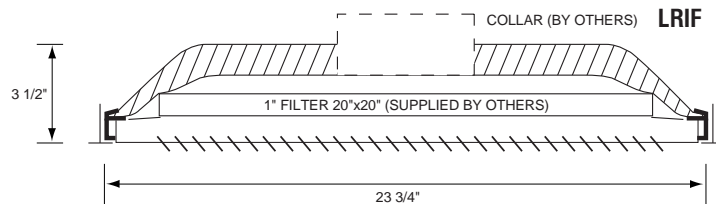
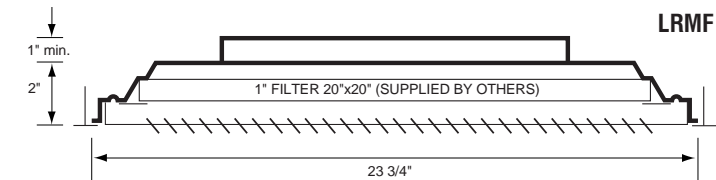
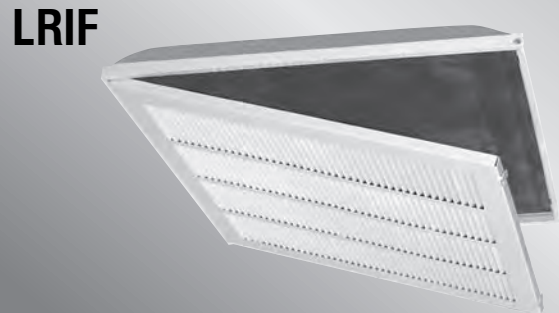
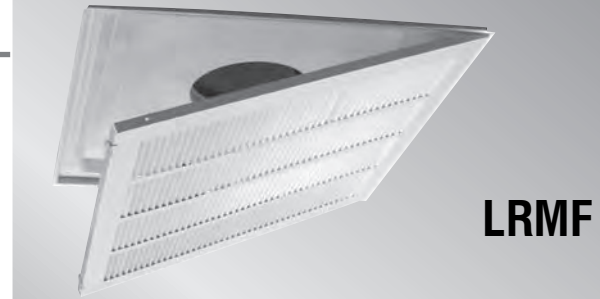
FOR TEE BAR LAY-IN INSTALLATIONS

Series **LR** filter grilles have their face lanced with rows of fins capable of transferring or returning high air volumes with minimum air pressure loss. The fins are set at 40° and spaced 1/2" apart. The face swings in or out of the fixed back pan for easy access to the 1" standard filter or filter media (supplied by others). Two locking arms opposite to the two concealed hinges provide secure locking of the face in an unobtrusive manner.

Model **LRMF** has steel back pan with heavy gauge steel reinforcing corners equivalent to 18 ga. so as to minimize damage due to handling.

Model **LRIF** has an insulated back pan consisting of a fixed extruded aluminum frame and a molded fiberglass pan suitable for round duct connections up to 14" D. and scored for easy cutting of collar opening. This model has sturdy corners so as to minimize damage due to handling.

Model **LRTF** has a square filter frame to accommodate 20" x 20" filters and ducts of the same listed size. This model has sturdy corners so as to minimize damage due to handling.



HOW TO ORDER

M For metal back pan
I For molded f. glass back pan
T For rectangular duct connection

LRMF 24 08
 Collar Size
 24" x 24" Face Size

MODELS PRMF-PRIF-PRTF FOR TEE BAR LAY-IN INSTALLATIONS

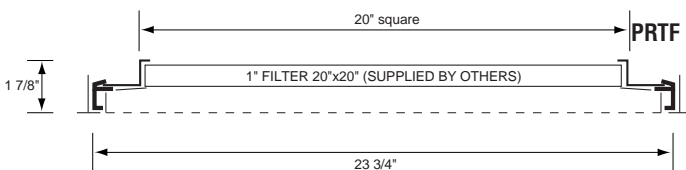
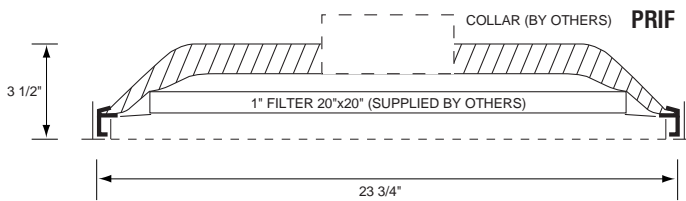
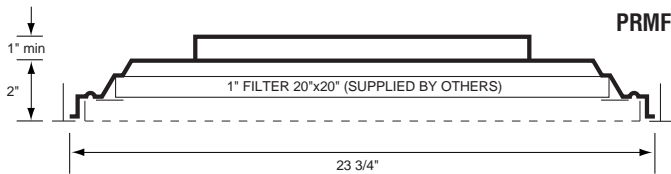
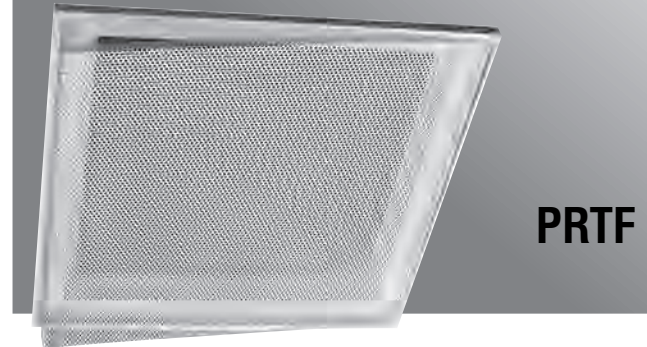
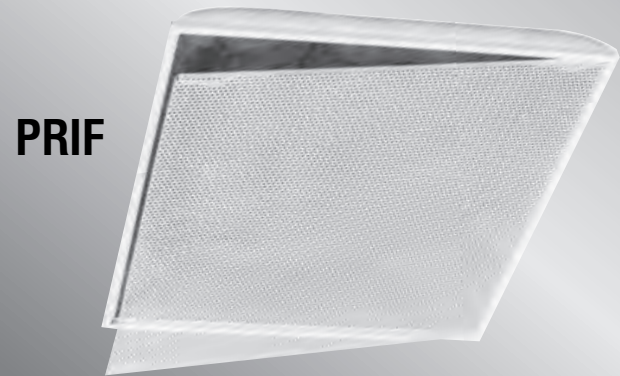
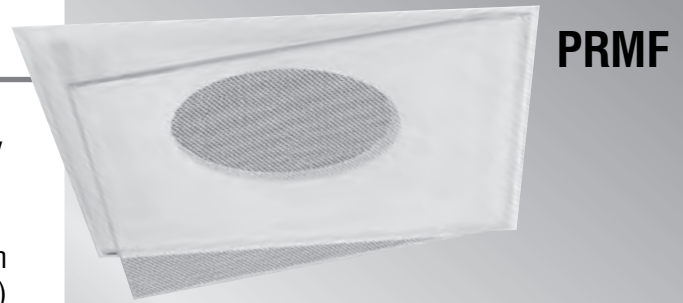
Series **PR** filter grilles match in appearance perforated face supply diffusers series PS.

The grille consists of a heavy gauge steel perforated face with 3/16" D. round holes on 1/4" staggered centers (53% free area) which swings in or out of the fixed back pan for easy access to the 1" filter 20" x 20" (supplied by others). Two locking arms opposite to the two concealed hinges provide secure locking of the grille in an unobtrusive manner.

Model **PRMF** has steel back pan with 20" x 20" square filter frame, heavy gauge steel reinforcing corners equivalent to 18 ga. so as to minimize damage due to handling. Extruded round collars will accommodate ducts 6", 8", 10", 12" & 14" D.

Model **PRIF** has an insulated back pan consisting of a fixed extruded aluminum frame and a molded fiberglass pan suitable for round ducts connections up to 14" D. and scored for easy cutting of collar opening. The extruded aluminum frame has sturdy corners so as to minimize damage due to handling.

Model **PRTF** has a square filter frame to accommodate 1" filters 20" x 20" and ducts of same listed size. The extruded aluminum frame has sturdy corners so as to minimize damage due to handling.



HOW TO ORDER

M	For metal back pan	PRMF	2408
I	For molded f. glass back pan		Collar Size
T	For rectangular duct connection		24" x 24" Face Size

PERFORATED DIFFUSERS



MODELS PSI , PSIL & PRI with R6 Plenum

MODELS PSI & PSIL - Supply Diffusers

PSI Supply Diffusers have high diffusion induction rates resulting in rapid temperature and velocity equalization of the mixed air mass well above the zone of occupancy.

The horizontal performance of their air pattern baffle or optional directional louvers ensure confident use of cooling differentials of 25° F and greater, at predicted low air motion 35 fpm in the zone of occupancy.

PSI Supply Diffusers perform efficiently with air loadings of 1 to 3 cfm per square feet of floor area, or 6 to 20 air changes per hour (based on 10 ft. ceiling height) and sound level range of NC 25 to 35.



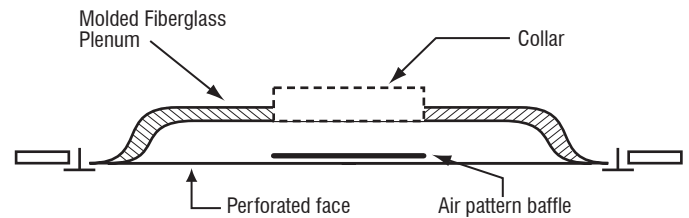
**PSI
PSIL
PRI**

MODEL PRI - Return Diffusers

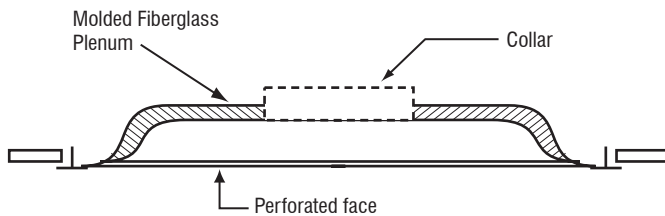
PRI Return Diffusers are similar to PSI but with the air pattern baffle removed. They are matched in appearance.

FEATURES

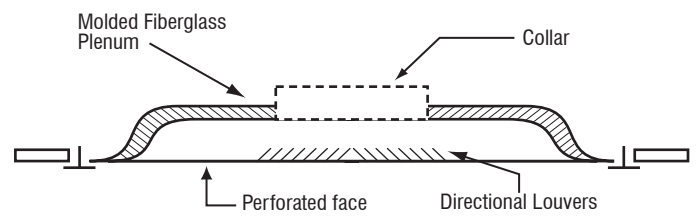
- Heavy gauge all steel construction.
- 24" X 24" face for neck sizes 6"-8"-10"-12"-14" D.
- Compatible with VAV Systems.
- Powder paint coating - White.
- Holes are $\frac{3}{16}$ " D. staggered $\frac{1}{4}$ " affording 53% free area.



Model PSI Standard - with Air Pattern Baffle



Model PRI - No Baffle



Model PSIL - with Directional Louvers

HOW TO ORDER		
	PSI	/W
<i>MODEL SERIES</i>		
Supply - Round Baffle	PSI	<i>FINISH (OPTIONAL)</i>
Supply - Directional Baffles	PSIL	<i>Standard is White (/W)</i>
Return	PRI	<i>See chart for more</i>

ENGINEERING PERFORMANCE DATA



MODEL PSI & PSIL - Supply Diffusers

24" x 24" face

NECK SIZE	Neck Velocity (fpm)	400	500	600	700	800	1000	1200	1400
	Velocity Pressure (in H ₂ O)	.010	.016	.022	.031	.041	.062	.090	.122
6"	CFM	78	98	118	137	157	196	235	274
	Total Pressure	.017	.027	.038	.053	.069	.109	.159	.215
	NC	< 20	< 20	< 20	21	27	32	37	41
	Throw (ft)	1-2-3	1-2-4	2-3-5	2-3-6	2-4-7	3-5-8	4-6-9	5-7-10
8"	CFM	140	175	209	244	279	349	419	489
	Total Pressure	.018	.028	.040	.054	.071	.109	.160	.216
	NC	< 20	< 20	< 20	24	27	33	37	42
	Throw (ft)	1-3-5	2-3-6	2-4-7	3-5-8	4-6-10	5-8-12	6-9-14	7-10-15
10"	CFM	218	273	327	382	436	545	654	763
	Total Pressure	.018	.026	.039	.054	.071	.109	.160	.216
	NC	< 20	< 20	< 20	23	28	36	41	47
	Throw (ft)	2-4-6	3-4-7	3-5-8	4-7-10	5-8-12	5-9-14	6-11-16	7-13-18
12"	CFM	314	393	471	550	628	785	941	1099
	Total Pressure	.019	.029	.041	.057	.072	.111	.163	.218
	NC	< 20	< 20	20	25	30	39	43	49
	Throw (ft)	2-5-7	3-5-8	3-7-10	4-8-12	5-9-14	7-11-16	8-12-18	10-14-21
14"	CFM	492	615	738	861	984	1230	1476	1722
	Total Pressure	.021	.032	.043	.075	.092	.141	.193	.261
	NC	< 20	< 20	21	26	34	40	45	50
	Throw (ft)	3-6-9	4-7-10	4-8-12	5-9-13	6-10-15	8-12-18	10-14-21	12-17-24

NC Value based on 10 db room attenuation.

Throw Values are based on isothermal air and thermal velocities of 150 fpm, 100 fpm & 75 fpm respectively.
Total Pressure the sum of static pressure plus velocity pressure and is given in inches w.g.

MODEL PRI - Return Diffusers

24" x 24" face

NECK SIZE	Neck Velocity (fpm)	400	500	600	700	800	1000	1200	1400
	Velocity Pressure (in H ₂ O)	0.010	0.015	0.022	0.031	0.040	0.062	0.090	0.122
	Static Pressure (in H ₂ O)	-0.026	-0.042	-0.060	-0.078	-0.104	-0.160	-0.212	-0.290
6"	CFM	78	98	118	13	15	196	235	27
	NC	< 20	< 20	< 20	< 20	< 20	20	23	26
8"	CFM	140	175	209	244	279	349	419	489
	NC	< 20	< 20	< 20	21	22	24	27	29
10"	CFM	218	273	327	382	436	545	654	763
	NC	< 20	< 20	21	23	25	28	30	32
12"	CFM	314	393	471	550	628	785	941	1099
	NC	< 20	20	24	26	28	31	34	36
14"	CFM	430	534	642	748	858	1072	1286	1500
	NC	22	25	28	30	32	35	37	39
16"	CFM	558	698	836	978	1110	1390	1666	1950
	NC	26	28	30	34	37	40	43	46

PERFORATED DIFFUSERS



MODELS PSM, PSML & PRM with Metal Plenum

MODELS PSM & PSML - Supply Diffusers

PSM Supply Diffusers have high diffusion induction rates resulting in rapid temperature and velocity equalization of the mixed air mass well above the zone of occupancy.

The horizontal performance of their standard air pattern baffle or optional directional louvers ensure confident use of cooling differentials of 25°F and greater at predicted low air motion 35 fpm in the zone of occupancy.

PSM Supply diffusers perform efficiently with air loadings of 1 to 3 cfm per square feet of floor area, or 6 to 20 air changes per hour (based on 10 ft. ceiling height) and sound level range of NC 25 to 35.

MODEL PRM - Return Diffusers

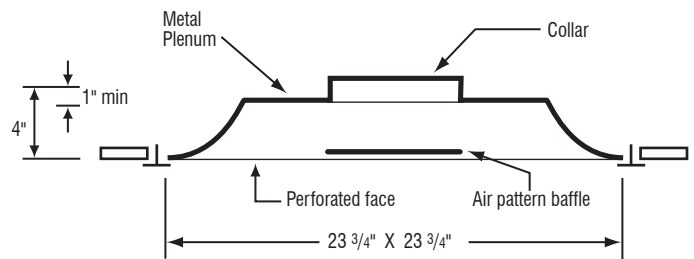
PRM Return Diffusers are similar to PSM but with the air pattern baffle removed. They are matched in appearance.

FEATURES

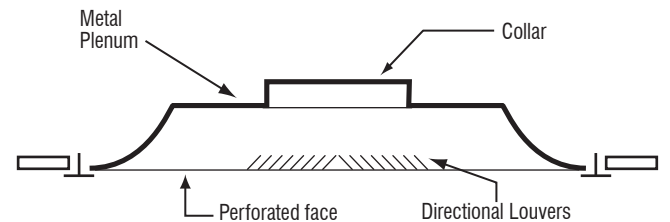
- Heavy gauge all steel construction.
- 24" X 24" face for neck sizes 6"-8"-10"-12"-14" D.
- Compatible with VAV Systems.
- Powder paint coating - White.
- Holes are $\frac{3}{16}$ " D. staggered $\frac{1}{4}$ " affording 53% free area.



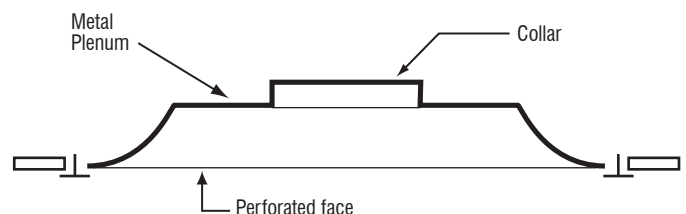
PSM
PSML
PRM



Model PSM - with Air Pattern Baffle



Model PSML - with Directional Louvers



Model PRM - No Baffles

HOW TO ORDER PSM SERIES

PSM-R4-S 2408 /W

MODEL SERIES	PSM
Supply - Round Baffle	PSML
Supply - Directional Baffles	PRM
Return	

FINISH (OPTIONAL)
Standard is White (/W)
See chart for more

NECK DIAMETER
In Inches
06-08-10-12-14"

FACE DIMENSIONS
24" x 24" **24**

INSULATION (OPTIONAL)
Standard is uninsulated

R4.2 Taped Insulation **-R4**
R6 Taped Insulation **-R6**

PACKAGING (OPTIONAL)
Standard is 2 per box
Single Box **-S**

ENGINEERING PERFORMANCE DATA



MODEL PSM - Supply Diffusers

24" x 24" face

NECK SIZE	Neck Velocity (fpm)	400	500	600	700	800	1000	1200	1400
	Velocity Pressure (in H ₂ O)	.010	.016	.022	.031	.041	.062	.090	.122
6"	CFM	78	98	118	137	157	196	235	274
	Total Pressure	.017	.027	.038	.053	.069	.109	.159	.215
	NC	< 20	< 20	< 20	21	27	32	37	41
	Throw (ft)	1-2-3	1-2-4	2-3-5	2-3-6	2-4-7	3-5-8	4-6-9	5-7-10
8"	CFM	140	175	209	244	279	349	419	489
	Total Pressure	.018	.028	.040	.054	.071	.109	.160	.216
	NC	< 20	< 20	< 20	24	27	33	37	42
	Throw (ft)	1-3-5	2-3-6	2-4-7	3-5-8	4-6-10	5-8-12	6-9-14	7-10-15
10"	CFM	218	273	327	382	436	545	654	763
	Total Pressure	.018	.026	.039	.054	.071	.109	.160	.216
	NC	< 20	< 20	< 20	23	28	36	41	47
	Throw (ft)	2-4-6	3-4-7	3-5-8	4-7-10	5-8-12	5-9-14	6-11-16	7-13-18
12"	CFM	314	393	471	550	628	785	941	1099
	Total Pressure	.019	.029	.041	.057	.072	.111	.163	.218
	NC	< 20	< 20	20	25	30	39	43	49
	Throw (ft)	2-5-7	3-5-8	3-7-10	4-8-12	5-9-14	7-11-16	8-12-18	10-14-21
14"	CFM	492	615	738	861	984	1230	1476	1722
	Total Pressure	.021	.032	.043	.075	.092	.141	.193	.261
	NC	< 20	< 20	21	26	34	40	45	50
	Throw (ft)	3-6-9	4-7-10	4-8-12	5-9-13	6-10-15	8-12-18	10-14-21	12-17-24

NC Value based on 10 db room attenuation.

Throw Values are based on isothermal air and terminal velocities of 150 fpm, 100 fpm & 75 fpm respectively.
Total Pressure the sum of static pressure plus velocity pressure and is given in inches w.g.

MODEL PRM - Return Diffusers

24" x 24" face

NECK SIZE	Neck Velocity (fpm)	400	500	600	700	800	1000	1200	1400
	Velocity Pressure (in H ₂ O)	0.010	0.015	0.022	0.031	0.040	0.062	0.090	0.122
	Static Pressure (in H ₂ O)	-0.026	-0.042	-0.060	-0.078	-0.104	-0.160	-0.212	-0.290
6"	CFM	78	98	118	13	15	196	235	27
	NC	< 20	< 20	< 20	< 20	< 20	20	23	26
8"	CFM	140	175	209	244	279	349	419	489
	NC	< 20	< 20	< 20	21	22	24	27	29
10"	CFM	218	273	327	382	436	545	654	763
	NC	< 20	< 20	21	23	25	28	30	32
12"	CFM	314	393	471	550	628	785	941	1099
	NC	< 20	20	24	26	28	31	34	36
14"	CFM	430	534	642	748	858	1072	1286	1500
	NC	22	25	28	30	32	35	37	39
16"	CFM	558	698	836	978	1110	1390	1666	1950
	NC	26	28	30	34	37	40	43	46

ENGINEERING PERFORMANCE DATA



MODEL PST - Supply Diffusers

24" x 24" face

NECK SIZE	Neck Velocity (fpm)	400	500	600	700	800	1000	1200	1400
	Velocity Pressure (in H ₂ O)	.010	.016	.022	.031	.041	.062	.090	.122
8 x 8"	CFM	198	222	267	311	356	444	593	682
	Total Pressure	.018	.026	.039	.054	.071	.109	.160	.216
	NC	< 20	< 20	< 20	23	28	36	41	47
	Throw (ft)	2-4-6	3-4-7	3-5-8	4-7-10	5-8-12	5-9-14	6-11-16	7-13-18
10 x 10"	CFM	278	347	417	486	556	625	822	972
	Total Pressure	.019	.029	.041	.057	.072	.111	.163	.218
	NC	< 20	< 20	20	25	30	39	43	49
	Throw (ft)	2-5-7	3-5-8	3-7-10	4-8-12	5-9-14	7-11-16	8-12-18	10-14-21
12 x 12"	CFM	400	500	600	700	800	1000	1200	1400
	Total Pressure	.021	.032	.043	.075	.092	.141	.193	.261
	NC	< 20	< 20	21	26	34	40	45	50
	Throw (ft)	3-6-9	4-7-10	4-8-12	5-9-13	6-10-15	8-12-18	10-14-21	12-17-24
14 x 14"	CFM	544	680	817	953	1088	1360	1633	1405
	Total Pressure	.023	.034	.092	.078	.096	.149	.201	.272
	NC	< 20	20	23	27	36	43	49	47
	Throw (ft)	4-7-11	5-9-12	5-9-14	6-10-14	7-11-16	9-13-20	12-16-24	14-20-27

MODEL PRT- Return Diffusers

24" x 24" face

NECK SIZE	Neck Velocity (fpm)	400	500	600	700	800	1000	1200	1400
	Velocity Pressure (in H ₂ O)	0.010	0.015	0.022	0.031	0.040	0.062	0.090	0.122
	Static Pressure (in H ₂ O)	-0.026	-0.042	-0.060	-0.078	-0.104	-0.160	-0.212	-0.290
12 x 12"	CFM	430	534	642	748	858	1072	1286	1500
	NC	22	25	26	28	32	35	37	39
14 x 14"	CFM	558	698	836	978	1110	1390	1666	1950
	NC	24	26	28	29	30	38	40	42
16 x 16"	CFM	712	961	1156	1345	1448	1932	2320	270
	NC	26	28	30	32	34	40	43	46
18 x 18"	CFM	900	1125	1350	1575	1700	2250	2700	3150
	NC	27	29	30	35	38	41	44	47

Exclusive Warranty for Airvector® Aluminum and Powder Coated Steel Grilles, Registers & Diffusers

Limited Warranty - Airvector® for aluminum or powder coated steel grilles, registers and diffusers.

Alfa Mega Inc. manufacturer of Airvector® products warrants to the owners of Airvector® products that, should rust become visible on the exposed portion of Airvector® aluminum or powder coated steel grilles, registers or diffusers, Airvector® will replace the rusted product. This warranty does not cover products affected by accidental or intentional damages, chemicals or misuse, including, without limitation, failure to perform necessary and reasonable maintenance.

The rusted unit must be shipped by the owner at its cost to Airvector® for replacement. Airvector® will cover the cost of replacement, including the cost of shipment back to the owner. Airvector® will not cover other charges, including costs of removal, handling or installation. A reasonable time should be allowed for replacement of the rusted unit. In case of a discontinued product, Airvector® will replace it with its closest equivalent.

This warranty is for five (5) years from the date of the shipment by Airvector®. This is the only warranty given with the purchase. Any warranties implied by law are limited to sixty (60) months from the date of shipment by Airvector®. Airvector® neither assumes nor authorizes any person or entity to assume for it any other liability in connection with any product covered by this agreement.

No payment or other compensation will be made for indirect or consequential damage such as, damage or injury to person or property or loss of revenue or profit which might be paid, incurred or sustained by reason of the use of inability to use a Airvector® product, even if such loss or damage could have been foreseen by Airvector®.

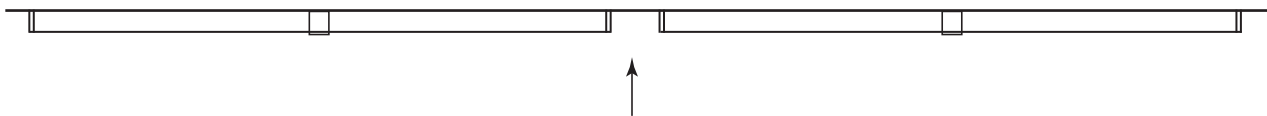
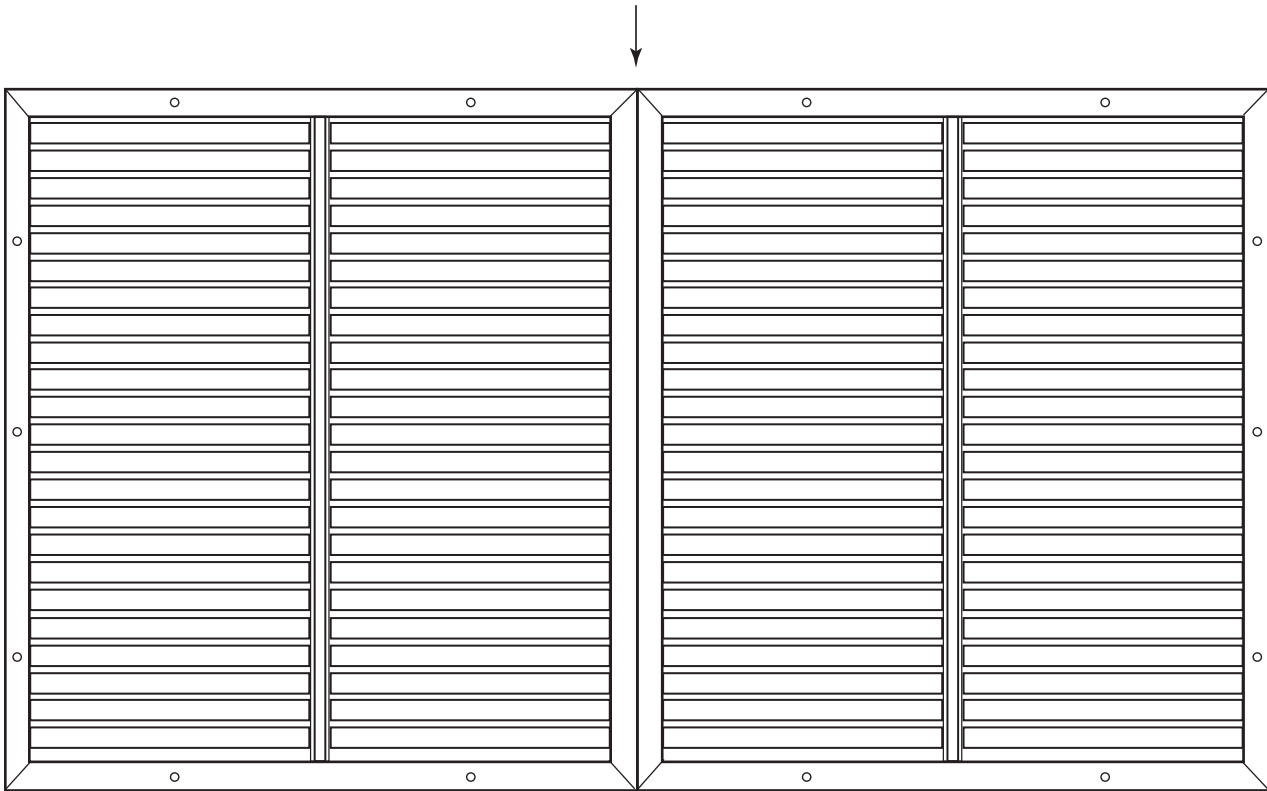
This warranty gives you specific legal rights and you may also have other rights which vary from state to state.

Some states do not allow the exclusion of limitation of incidental or consequential damages or limitation on how long an implied warranty lasts, so the above may not apply to you.



Large Grilles in Multiple Sections

No screw holes on interior joined frames by default
Screw holes can be added if clearly specified on order



Support required for proper installation by others
Not provided by Airvector

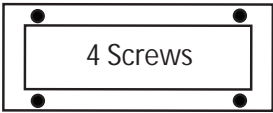
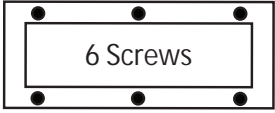

Notes

- Maximum section size: 46" x 36" (neck)
- Maximum width without mullion: 18"
- Larger grilles can be made in one piece, extra manufacturing and shipping charges apply

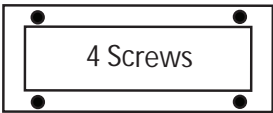
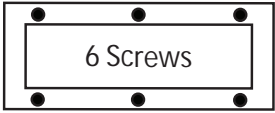
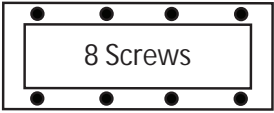
IGSA / GAA / ERE - Screw Holes Chart

		Width			
		4" to 17.9"	18" to 29.9"	30" to 47.9"	48" +
Height	4" to 17.9"	<p>2 Screws</p> <p>10" to 16" 4 Screws</p>	<p>4 Screws</p>	<p>6 Screws</p>	<p>8 Screws</p>
	18" to 21.9"	<p>4 Screws</p>	<p>6 Screws</p>	<p>8 Screws</p>	<p>10 Screws</p>
	22" to 29.9"	<p>4 Screws</p>	<p>8 Screws</p>	<p>10 Screws</p>	<p>12 Screws</p>
	30" to 47.9"	<p>6 Screws</p>	<p>10 Screws</p>	<p>12 Screws</p>	<p>14 Screws</p>
	48" +	<p>8 Screws</p>	<p>12 Screws</p>	<p>14 Screws</p>	<p>16 Screws</p>

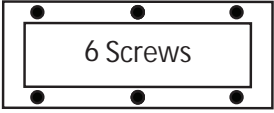
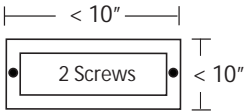

ALS - Architectural Linear Slot Diffusers

		Lenght		
		4" to 36"	37" to 48"	49" to 72"
Nb. of Slots	1 - 10			
		4 Screws	6 Screws	8 Screws

ALF - Linear Flow Airflow Diffusers


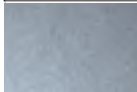
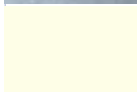

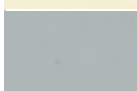





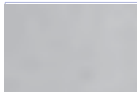


		Lenght		
		4" to 36"	37" to 48"	49" to 72"
Nb. of Slots	1 - 10			
		4 Screws	6 Screws	8 Screws

ALB - Architectural Linear Bar Grilles & Registers

		Lenght	
		18" to 36"	37" to 72"
Width	1.5" - 15"	 	
		6 Screws	8 Screws

The current chart features standard finishes offered by Airvector® on most products. Colors and textures have been reproduced as accurately as possible. However, due to variances among computer monitors and printers, the colors may appear differently than on the actual products. Some finishes might not apply to all products. Extra costs and lead times have been listed

to help you price and schedule your orders. See RAL available on our RAL K7 Classic Colour Chart. For more accurate costs and lead times, to confirm availability of a finish on a particular product or for custom finish requirements, please contact our customer service department at order@airvector-hvac.com.

	Preview	Color Name	Code	Extra Cost	Lead Time
Powder Coated Paint		White Gloss level: low RAL: 9016	/W	Standard (no extra cost)	Standard 2 weeks Premium Services Available
		Silver Aluminum Gloss level: matte	/SI	15% - 20% adder	Standard 2 weeks Premium Services Available
		Off White Gloss level: medium RAL: 9010	/OW	15% - 20% adder	Standard 2 weeks Premium Services Available
		Beige Gloss level: high RAL: 1013	/BE	15% - 20% adder	Standard 2 weeks Premium Services Available
		Grey Gloss level: high	/G	15% - 20% adder	Standard 2 weeks Premium Services Available
		Brown Gloss level: matte	/BR	15% - 20% adder	Standard 2 weeks Premium Services Available
		Black Gloss level: medium	/BK	15% - 20% adder	Standard 2 weeks Premium Services Available
		Black Mat Gloss level: mat	/BM	15% - 20% adder	Standard 2 weeks Premium Services Available
		Brushed & Lacquered Gloss level: high	/L	15% - 35% adder	Standard 2 weeks Premium Services Available
		Colors from Tiger Drylac selection	/C	\$500 setup charge 15% - 35% adder	Minimum 4 weeks
Other Finishes		Mill (Raw Aluminum)	/M	Standard (no extra cost)	Standard 2 weeks Premium Services Available
		Anodized	/A	15% - 25% adder	Standard 2 weeks Premium Services Available
		Brushed Aluminum (No Lacquer)	/B	15% - 20% adder	Standard 2 weeks Premium Services Available

Commercial Air Distribution Products

Unique level of service, personalized and very helpful

Great standard lead times and premium services

High quality products with exclusive features



www.airvector-hvac.com